

# PRODUCT CATALOGUE

## Effective Solutions that Deliver

With FDG you have the partner and product to  
Plan Better, Build Better, Create Better.

T1.0





# ABOUT US

## WHO

With over 40 years experience, the FDG team is focused on providing effective solutions not just selling parts, which is why we are the preferred partner for some of New Zealand's most prestigious construction and engineering projects.

A NZ owned and operated family business we strive to keep businesses moving and making, bringing an energetic and proactive approach to every job, big or small.

Think of us as a partner for your job, offering knowledge, advice and supplying you the right product that is appropriate, safe and cost-effective.

We aim to build value and trust so that FDG becomes your 'Go-To' supplier.

## WHAT

FDG's wide product range includes fasteners, workshop consumables and associated accessories. Our hero product is the German manufactured modular support system (ModFrame) which supports heavy-duty pipework, along with the HVAC strut and cable management systems. Cutting & abrasive tools, innovative pipe clamps and PPE gear are also part of the FDG product range. Our promise to you is "If we don't have it we will find it or use our expertise to offer an alternative solution."

## WHERE

You can rely on FDG for premium quality products, supplied from our modern purpose built warehouse strategically situated within the Auckland region. Through our close associations with major transport companies we can often offer both a same day service within the Auckland region and an overnight service nationwide. [Exceptions may exist around larger bulk offers].

## WHY

Supplying to the Engineering, Construction, Manufacturing & HVAC sectors, FDG understands the processes involved from design to completion, and how the little things can make a big difference to the timely delivery of a project.

Our product range takes into account that each job is unique, which is why we offer a tailored service for our customers, matching the right product to the job.

Our engineering background gives us the confidence to come in at the planning stage, advising and guiding you on the best approach and the right products to optimise time, space and cost.

Keep a look out for FDG's technology & product innovations, as we continually look for new ways to offer our customers the best products and experience. Visit [www.fdg.nz.com](http://www.fdg.nz.com).



[www.fdg.nz.com](http://www.fdg.nz.com)  
[sales@fdg.nz.com](mailto:sales@fdg.nz.com)  
**0800 555 464**





CONSTRUCTION



“ The MAKERS we keep MOVING ”



COMMERCIAL PLUMBING



COMMERCIAL HVAC



MANUFACTURING



ENGINEERING

# Our Team



Our committed team at FDG are all about keeping businesses moving and making. We see ourselves as an important part of your project, and we're proud of that! We do this by delivering the best quality solution in a timely manner, allowing you to plan better, build better and create better.

Whilst the hustle and bustle of our busy warehouse is well managed by our operations team, our in house customer service team are on hand to answer any queries or take any orders you may have. On the road a dedicated sales team are available to talk you through our extensive range.

All of our team are friendly, knowledgeable and experienced in their area of expertise, so it is likely that you will work with a variety of members to give you the best results and service.

From the FDG Team you can expect:



### Experience

We have over 40 years and 3 generations of experience, bringing the best knowledge, and the latest innovations from around the world.



### Excellent Customer service

Customers come first, so our people and culture do whatever it takes to deliver above expectation, better than anyone else.



### Guaranteed Solutions

We guarantee to deliver the right products, at the right time, to the right place, at a fair price.



### Customised Support

We always offer specialist support, tailored to your requirements, for you to get the job done.







# SPECIALIST SUPPORT TAILORED TO YOUR BUSINESS, TO GET THE **JOB DONE**

FDG is here to provide workable solutions that avoid costly disruption and improve productivity for our customers. To do this, we offer our focused project customers, onsite storage for housing our wide range of fasteners and fixings, that are required at a moments notice during your project.\*

*ITS ALL ABOUT KEEPING YOUR  
BUSINESS MOVING AND  
MAKING!*



*"TALK TO YOUR  
FDG SALES  
REPRESENTATIVE  
ABOUT WHETHER  
THIS SUITS YOUR  
PROJECT NEEDS."*



\* Customer and project  
criteria applies.



# SRS SYSTEM

## STOCK REPLENISHMENT SYSTEM

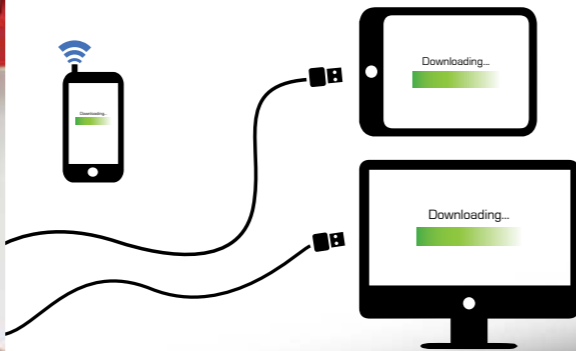


### Small Part Bins

- Use Free-Standing, Stacked and on Shelving or fit onto Louvred Panels
- Integral Label Holder
- Large Hand Grips
- 5 Bin Sizes
- Stackable

### SRS Barcode Scanner

FDG's SRS system enables you to transfer data through either Bluetooth or USB, straight from your SRS barcode scanner to phone, laptop or desktop.



An onsite Stock Replenishment System (SRS) is just one of support tools that FDG \* offers to keep their customers moving and making. All centrally located with an easy barcode ordering system, the SRS set up gives you an organised place for your fastening and fitting needs.



## LET FDG HELP TAKE CARE OF THE DETAILS SO THAT YOU CAN FOCUS ON THE BIG PICTURE

- Compatible with the SRS small part bins
- Organised & efficient
- Sturdy construction
- Central roller drawers
- Lockable doors



\*Criteria applies



# CONTENTS

<u>Nuts/Bolts &amp; Washers</u>	13-89
<u>Socket Products</u>	91-133
<u>Threaded Rod</u>	135-139
<u>Anchors</u>	141-153
<u>Screws</u>	155-179
<u>Rivets</u>	181-195
<u>Strut &amp; Cable Tray</u>	197-235
<u>Modframe</u>	237-257
<u>Pipe Clamps</u>	259-273
<u>Tools &amp; Accessories</u>	275-337
<u>Engineering Supplies</u>	339-351
<u>Technical Data</u>	353-363



# NUTS / BOLTS & WASHERS

<u>Bolts Metric Grade 4.6</u>	14-19
<u>Bolts Metric Grade 8.8 - 10.9</u>	20-27
<u>Bolts Metric Stainless</u>	28-32
<u>Bolts Metric Fine</u>	33-36
<u>Bolts Imperial Grade 5</u>	37-42
<u>Bolts Imperial Grade 8</u>	43-51
<u>Bolts Imperial Stainless</u>	52-56
<u>HSFG</u>	57-59
<u>Hollo Bolts</u>	60-61
<u>Coach Bolts</u>	62-65
<u>Coach Screws</u>	66-67
<u>Nuts</u>	68-75
<u>Washers</u>	76-89





# METRIC 4.6 SET SCREW

# METRIC 4.6 SET SCREW



BLACK							
Ø	M6	M8	M10	M12	M16	M20	M24
12mm	SS466X12						
16mm	SS466X16	SS468X16					
20mm	SS466X20	SS468X20	SS4610X20				
25mm	SS466X25	SS468X25	SS4610X25	SS4612X25	SS4616X25		
30mm		SS468X30	SS4610X30	SS4612X30	SS4616X30		
35mm			SS4610X35	SS4612X35	SS4616X35		
40mm				SS4612X40	SS4616X40	SS4620X40	
45mm					SS4616X45	SS4620X45	
50mm					SS4616X50	SS4620X50	SS4624X50
55mm						SS4620X55	
60mm						SS4620X60	SS4624X60



ZINC							
Ø	M6	M8	M10	M12	M16	M20	
10mm	SS466X10Z						
12mm	SS466X12Z	SS468X12Z					
16mm	SS466X16Z	SS468X16Z	SS4610X16Z				
20mm	SS466X20Z	SS468X20Z	SS4610X20Z	SS4612X20Z			
25mm	SS466X25Z	SS468X25Z	SS4610X25Z	SS4612X25Z	SS4616X25Z		
30mm	SS466X30Z	SS468X30Z	SS4610X30Z	SS4612X30Z	SS4616X30Z		
35mm	SS466X35Z	SS468X35Z	SS4610X35Z	SS4612X35Z	SS4616X35Z		
40mm	SS466X40Z	SS468X40Z	SS4610X40Z	SS4612X40Z	SS4616X40Z	SS4620X40Z	
45mm	SS466X45Z	SS468X45Z	SS4610X45Z	SS4612X45Z	SS4616X45Z	SS4620X45Z	
50mm	SS466X50Z	SS468X50Z	SS4610X50Z	SS4612X50Z	SS4616X50Z	SS4620X50Z	
55mm	SS466X55Z	SS468X55Z	SS4610X55Z			SS4620X55Z	
60mm	SS466X60Z	SS468X60Z	SS4610X60Z	SS4612X60Z	SS4616X60Z	SS4620X60Z	
65mm	SS466X65Z	SS468X65Z	SS4610X65Z	SS4612X65Z	SS4616X65Z		
70mm		SS468X70Z	SS4610X70Z	SS4612X70Z			
75mm	SS466X75Z	SS468X75Z	SS4610X75Z	SS4612X75Z	SS4616X75Z		
100mm			SS4610X100Z	SS4612X100Z	SS4616X100Z		



GALVANIZED							
Ø	M8	M10	M12	M16	M20	M24	M30
20mm	SS468X20G	SS4610X20G					
25mm	SS468X25G	SS4610X25G	SS4612X25G	SS4616X25G			
30mm	SS468X30G	SS4610X30G	SS4612X30G	SS4616X30G			
35mm		SS4610X35G	SS4612X35G	SS4616X35G			
40mm	SS468X40G	SS4610X40G	SS4612X40G	SS4616X40G	SS4620X40G		
45mm				SS4616X45G	SS4620X45G		
50mm	SS468X50G	SS4610X50G	SS4612X50G	SS4616X50G	SS4620X50G	SS4624X50G	
55mm					SS4620X55G	SS4624X55G	
60mm					SS4620X60G	SS4624X60G	
65mm		SS4610X65G				SS4624X65G	
75mm		SS4610X75G	SS4612X75G				SS4630X75G
90mm		SS4610X90G					
100mm		SS4610X100G					



**Milwaukee**

**SHOCKWAVE™ METRIC STEP BIT SET**  
M-48899266

**Add the SHOCKWAVE™ Impact Duty Step Bits to your Impact Drill Kit today. Call 0800 555 464**





BLACK							
Ø	M6	M8	M10	M12	M16	M20	M24
12mm	BN466X12						
16mm	BN466X16	BN468X16					
20mm	BN466X20	BN468X20	BN4610X20				
25mm	BN466X25	BN468X25	BN4610X25	BN4612X25	BN4616X25		
30mm	BN466X30	BN468X30	BN4610X30	BN4612X30	BN4616X30		
35mm	BN466X35	BN468X35	BN4610X35	BN4612X35	BN4616X35		
40mm	BN466X40	BN468X40	BN4610X40	BN4612X40	BN4616X40	BN4620X40	
45mm	BN466X45	BN468X45	BN4610X45	BN4612X45	BN4616X45	BN4620X45	
50mm	BN466X50	BN468X50	BN4610X50	BN4612X50	BN4616X50	BN4620X50	BN4624x50
55mm	BN466X55	BN468X55	BN4610X55	BN4612X55	BN4616X55	BN4620X55	
60mm	BN466X60	BN468X60	BN4610X60	BN4612X60	BN4616X60	BN4620X60	BN4624x60
65mm	BN466X65	BN468X65	BN4610X65	BN4612X65	BN4616X65	BN4620X65	BN4624x65
70mm	BN466X70	BN468X70	BN4610X70	BN4612X70	BN4616X70	BN4620X70	BN4624x70
75mm	BN466X75	BN468X75	BN4610X75	BN4612X75	BN4616X75	BN4620X75	BN4624x75
80mm	BN466X80	BN468X80	BN4610X80	BN4612X80	BN4616X80	BN4620X80	BN4624x80
90mm			BN4610X90	BN4612X90	BN4616X90	BN4620X90	BN4624x90
100mm			BN4610X100	BN4612X100	BN4616X100	BN4620X100	BN4624x100
110mm				BN4612X110	BN4616X110	BN4620X110	BN4624x110
120mm			BN4610X120	BN4612X120	BN4616X120	BN4620X120	BN4624x120
130mm			BN4610X130	BN4612X130	BN4616X130	BN4620X130	BN4624x130
140mm			BN4610X140	BN4612X140	BN4616X140	BN4620X140	BN4624x140
150mm			BN4610X150	BN4612X150	BN4616X150	BN4620X150	BN4624x150
160mm			BN4610X160	BN4612X160	BN4616X160	BN4620X160	BN4624x160
180mm			BN4610X180	BN4612X180	BN4616X180	BN4620X180	BN4624x180
200mm			BN4610X200	BN4612X200	BN4616X200	BN4620X200	BN4624x200



ZINC						
Ø	M6	M8	M10	M12	M16	M20
12mm	BN466X12Z	BN468X12Z				
16mm	BN466X16Z	BN468X16Z	BN4610X16Z			
20mm	BN466X20Z	BN468X20Z	BN4610X20Z	BN4612X20Z		
25mm	BN466X25Z	BN468X25Z	BN4610X25Z	BN4612X25Z	BN4616X25Z	
30mm	BN466X30Z	BN468X30Z	BN4610X30Z	BN4612X30Z	BN4616X30Z	
35mm	BN466X35Z	BN468X35Z	BN4610X35Z	BN4612X35Z	BN4616X35Z	
40mm	BN466X40Z	BN468X40Z	BN4610X40Z	BN4612X40Z	BN4616X40Z	BN4620X40Z
45mm	BN466X45Z	BN468X45Z	BN4610X45Z	BN4612X45Z	BN4616X45Z	BN4620X45Z
50mm	BN466X50Z	BN468X50Z	BN4610X50Z	BN4612X50Z	BN4616X50Z	BN4620X50Z
55mm	BN466X55Z	BN468X55Z	BN4610X55Z	BN4612X55Z	BN4616X55Z	BN4620X55Z
60mm	BN466X60Z	BN468X60Z	BN4610X60Z	BN4612X60Z	BN4616X60Z	BN4620X60Z
65mm	BN466X65Z	BN468X65Z	BN4610X65Z	BN4612X65Z	BN4616X65Z	BN4620X65Z
70mm	BN466X70Z	BN468X70Z	BN4610X70Z	BN4612X70Z	BN4616X70Z	BN4620X70Z
75mm	BN466X75Z	BN468X75Z	BN4610X75Z	BN4612X75Z	BN4616X75Z	BN4620X75Z
80mm	BN466X80Z	BN468X80Z	BN4610X80Z	BN4612X80Z	BN4616X80Z	BN4620X80Z
90mm	BN466X90Z	BN468X90Z	BN4610X90Z	BN4612X90Z	BN4616X90Z	BN4620X90Z
100mm	BN466X100Z	BN468X100Z	BN4610X100Z	BN4612X100Z	BN4616X100Z	BN4620X100Z
110mm	BN466X110Z	BN468X110Z	BN4610X110Z	BN4612X110Z	BN4616X110Z	BN4620X110Z
120mm	BN466X120Z	BN468X120Z	BN4610X120Z	BN4612X120Z	BN4616X120Z	BN4620X120Z
130mm	BN466X130Z	BN468X130Z	BN4610X130Z	BN4612X130Z	BN4616X130Z	BN4620X130Z
140mm	BN466X140Z	BN468X140Z	BN4610X140Z	BN4612X140Z	BN4616X140Z	BN4620X140Z
150mm	BN466X150Z	BN468X150Z	BN4610X150Z	BN4612X150Z	BN4616X150Z	BN4620X150Z
160mm			BN4610X160Z	BN4612X160Z	BN4616X160Z	BN4620X160Z
170mm			BN4610X170Z			
180mm			BN4610X180Z	BN4612X180Z	BN4616X180Z	BN4620X180Z
200mm			BN4610X200Z	BN4612X200Z	BN4616X200Z	BN4620X200Z





GALVANIZED						
Ø	M8	M10	M12	M16	M20	M24
20mm	BN468X20G	BN4610X20G				
25mm	BN468X25G	BN4610X25G	BN4612X25G	BN4616X25G		
30mm	BN468X30G	BN4610X30G	BN4612X30G	BN4616X30G		
35mm	BN468X35G	BN4610X35G	BN4612X35G	BN4616X35G		
40mm	BN468X40G	BN4610X40G	BN4612X40G	BN4616X40G	BN4620X40G	
45mm	BN468X45G	BN4610X45G	BN4612X45G	BN4616X45G	BN4620X45G	
50mm	BN468X50G	BN4610X50G	BN4612X50G	BN4616X50G	BN4620X50G	BN4624X50G
55mm	BN468X55G	BN4610X55G	BN4612X55G	BN4616X55G	BN4620X55G	BN4624X55G
60mm	BN468X60G	BN4610X60G	BN4612X60G	BN4616X60G	BN4620X60G	BN4624X60G
65mm	BN468X65G	BN4610X65G	BN4612X65G	BN4616X65G	BN4620X65G	BN4624X65G
70mm	BN468X70G	BN4610X70G	BN4612X70G	BN4616X70G	BN4620X70G	BN4624X70G
75mm	BN468X75G	BN4610X75G	BN4612X75G	BN4616X75G	BN4620X75G	BN4624X75G
80mm	BN468X80G	BN4610X80G	BN4612X80G	BN4616X80G	BN4620X80G	BN4624X80G
90mm	BN468X90G	BN4610X90G	BN4612X90G	BN4616X90G	BN4620X90G	BN4624X90G
100mm	BN468X100G	BN4610X100G	BN4612X100G	BN4616X100G	BN4620X100G	BN4624X100G
110mm	BN468X110G	BN4610X110G	BN4612X110G	BN4616X110G	BN4620X110G	BN4624X110G
120mm	BN468X120G	BN4610X120G	BN4612X120G	BN4616X120G	BN4620X120G	BN4624X120G
130mm	BN468X130G	BN4610X130G	BN4612X130G	BN4616X130G	BN4620X130G	BN4624X130G
140mm	BN468X140G	BN4610X140G	BN4612X140G	BN4616X140G	BN4620X140G	BN4624X140G
150mm	BN468X150G	BN4610X150G	BN4612X150G	BN4616X150G	BN4620X150G	BN4624X150G
160mm		BN4610X160G	BN4612X160G	BN4616X160G	BN4620X160G	BN4624X160G
170mm		BN4610X170G	BN4612X170G	BN4616X170G	BN4620X170G	
180mm		BN4610X180G	BN4612X180G	BN4616X180G	BN4620X180G	BN4624X180G
200mm		BN4610X200G	BN4612X200G	BN4616X200G	BN4620X200G	BN4624X200G
220mm		BN4610X220G	BN4612X220G	BN4616X220G	BN4620X220G	BN4624X220G
240mm		BN4610X240G	BN4612X240G	BN4616X240G	BN4620X240G	BN4624X240G
250mm					BN4620X250G	
260mm		BN4610X260G	BN4612X260G	BN4616X260G	BN4620X260G	BN4624X260G
280mm		BN4610X280G	BN4612X280G	BN4616X280G	BN4620X280G	BN4624X280G
300mm		BN4610X300G	BN4612X300G	BN4616X300G	BN4620X300G	BN4624X300G
325mm			BN4612X325G	BN4616X325G	BN4620X325G	BN4624X325G
350mm			BN4612X350G	BN4616X350G	BN4620X350G	BN4624X350G
375mm			BN4612X375G	BN4616X375G	BN4620X375G	BN4624X375G
400mm			BN4612X400G	BN4616X400G	BN4620X400G	BN4624X400G
425mm			BN4612X425G	BN4616X425G	BN4620X425G	
450mm			BN4612X450G	BN4616X450G	BN4620X450G	BN4624X450G

GALVANIZED				
Ø	M12	M16	M20	M24
475mm		BN4616X475G	BN4620X475G	
500mm	BN4612X500G	BN4616X500G	BN4620X500G	BN4624X500G
525mm		BN4616X525G	BN4620X525G	
550mm	BN4612X550G	BN4616X550G	BN4620X550G	BN4624X550G
575mm		BN4616X575G	BN4620X575G	
600mm	BN4612X600G	BN4616X600G	BN4620X600G	BN4624X600G
650mm			BN4620X650G	
1000mm		BN4616X1000G	BN4620X1000G	BN4624X1000G

GALVANIZED			
Ø	M27	M30	M33
75mm		BN4630X75G	
80mm	BN4627X80G		
90mm	BN4627X90G	BN4630X90G	BN4633X90G
100mm	BN4627X100G	BN4630X100G	BN4633X100G
110mm	BN4627X110G	BN4630X110G	BN4633X110G
120mm	BN4627X120G	BN4630X120G	
130mm	BN4627X130G	BN4630X130G	
140mm	BN4627X140G	BN4630X140G	BN4633X140G
150mm	BN4627X150G	BN4630X150G	
160mm		BN4630X160G	BN4633X160G
170mm	BN4627X170G		
180mm	BN4627X180G	BN4630X180G	BN4633X180G
190mm			BN4633X190G
200mm	BN4627X200G	BN4630X200G	BN4633X200G
220mm		BN4630X220G	BN4633X220G
240mm	BN4627X240G	BN4630X240G	
260mm	BN4627X260G	BN4630X260G	BN4633X260G
280mm	BN4627X280G	BN4630X280G	BN4633X280G
300mm	BN4627X300G	BN4630X300G	BN4633X300G
350mm		BN4630X350G	
400mm		BN4630X400G	





BLACK							
Ø	M6	M8	M10	M12	M14	M16	M18
12mm	SS886X12						
16mm	SS886X16	SS888X16					
20mm	SS886X20	SS888X20	SS8810X20				
25mm	SS886X25	SS888X25	SS8810X25	SS8812X25	SS8814X25	SS8816X25	
30mm		SS888X30	SS8810X30	SS8812X30	SS8814X30	SS8816X30	SS8818X30
35mm		SS888X35	SS8810X35	SS8812X35	SS8814X35	SS8816X35	
40mm		SS888X40	SS8810X40	SS8812X40	SS8814X40	SS8816X40	SS8818X40
45mm					SS8814X45	SS8816X45	
50mm		SS888X50	SS8810X50	SS8812X50		SS8816X50	SS8818X50
60mm							SS8818X60
65mm						SS8816X65	



BLACK					
Ø	M20	M22	M24	M30	M36
30mm	SS8820X30				
40mm	SS8820X40	SS8822X40	SS8824X40		
45mm	SS8820X45		SS8824X45		
50mm	SS8820X50	SS8822X50	SS8824X50		
55mm	SS8820X55		SS8824X55		
60mm	SS8820X60		SS8824X60	SS8830X60	
65mm		SS8822X65	SS8824X65		
70mm				SS8830X70	
75mm		SS8822X75			
80mm					SS8836X80
90mm		SS8822X90			SS8836X90
100mm		SS8822X100			SS8836X100



ZINC							
Ø	M4	M5	M6	M8	M10	M12	M14
10mm	SS884X10Z						
12mm	SS884X12Z	SS885X12Z	SS886X12Z	SS888X12Z			
16mm	SS884X16Z	SS885X16Z	SS886X16Z	SS888X16Z	SS8810X16Z	SS8812X16Z	
20mm	SS884X20Z	SS885X20Z	SS886X20Z	SS888X20Z	SS8810X20Z	SS8812X20Z	SS8814X20Z
25mm	SS884X25Z	SS885X25Z	SS886X25Z	SS888X25Z	SS8810X25Z	SS8812X25Z	SS8814X25Z



ZINC							
Ø	M4	M5	M6	M8	M10	M12	M14
30mm	SS884X30Z	SS885X30Z	SS886X30Z	SS888X30Z	SS8810X30Z	SS8812X30Z	SS8814X30Z
35mm			SS886X35Z	SS888X35Z	SS8810X35Z	SS8812X35Z	SS8814X35Z
40mm		SS885X40Z	SS886X40Z	SS888X40Z	SS8810X40Z	SS8812X40Z	SS8814X40Z
45mm			SS886X45Z	SS888X45Z	SS8810X45Z	SS8812X45Z	SS8814X45Z
50mm		SS885X50Z	SS886X50Z	SS888X50Z	SS8810X50Z	SS8812X50Z	SS8814X50Z
55mm			SS886X55Z	SS888X55Z	SS8810X55Z	SS8812X55Z	
60mm			SS886X60Z	SS888X60Z	SS8810X60Z	SS8812X60Z	SS8814X60Z
65mm			SS886X65Z	SS888X65Z	SS8810X65Z	SS8812X65Z	
70mm			SS886X70Z	SS888X70Z	SS8810X70Z	SS8812X70Z	
75mm			SS886X75Z	SS888X75Z	SS8810X75Z	SS8812X75Z	SS8814X75Z
80mm			SS886X80Z	SS888X80Z	SS8810X80Z	SS8812X80Z	
90mm			SS886X90Z	SS888X90Z	SS8810X90Z	SS8812X90Z	
100mm			SS886X100Z	SS888X100Z	SS8810X100Z	SS8812X100Z	
120mm				SS888X120Z	SS8810X120Z	SS8812X120Z	
150mm						SS8812X150Z	



ZINC						
Ø	M16	M18	M20	M24	M30	M36
25mm	SS8816X25Z					
30mm	SS8816X30Z	SS8818X30Z	SS8820X30Z			
35mm	SS8816X35Z					
40mm	SS8816X40Z	SS8818X40Z	SS8820X40Z	SS8824X40Z		
45mm	SS8816X45Z		SS8820X45Z	SS8824X45Z		
50mm	SS8816X50Z	SS8818X50Z	SS8820X50Z	SS8824X50Z		
55mm	SS8816X55Z		SS8820X55Z	SS8824X55Z		
60mm	SS8816X60Z	SS8818X60Z	SS8820X60Z	SS8824X60Z	SS8830X60Z	
65mm	SS8816X65Z			SS8824X65Z		
70mm	SS8816X70Z		SS8820X70Z		SS8830X70Z	
75mm	SS8816X75Z			SS8824X75Z		
80mm	SS8816X80Z		SS8820X80Z		SS8830X80Z	SS8836X80Z
90mm	SS8816X90Z					SS8836X90Z
100mm	SS8816X100Z		SS8820X100Z	SS8824X100Z	SS8830X100Z	SS8836X100Z
120mm	SS8816X120Z		SS8820X120Z			





BLACK								
Ø	M6	M8	M10	M12	M14	M16	M18	M20
12mm	B0886X12							
16mm	B0886X16	B0888X16						
20mm	B0886X20	B0888X20	B08810X20					
25mm	B0886X25	B0888X25	B08810X25	B08812X25	B08814X25	B08816X25		
30mm	B0886X30	B0888X30	B08810X30	B08812X30	B08814X30	B08816X30	B08818X30	B08820X30
35mm	B0886X35	B0888X35	B08810X35	B08812X35	B08814X35	B08816X35		
40mm	B0886X40	B0888X40	B08810X40	B08812X40	B08814X40	B08816X40	B08818X40	B08820X40
45mm	B0886X45	B0888X45	B08810X45	B08812X45	B08814X45	B08816X45		B08820X45
50mm	B0886X50	B0888X50	B08810X50	B08812X50	B08814X50	B08816X50	B08818X50	B08820X50
55mm	B0886X55	B0888X55	B08810X55	B08812X55	B08814X55	B08816X55		B08820X55
60mm	B0886X60	B0888X60	B08810X60	B08812X60	B08814X60	B08816X60	B08818X60	B08820X60
65mm	B0886X65	B0888X65	B08810X65	B08812X65	B08814X65	B08816X65	B08818X65	B08820X65
70mm	B0886X70	B0888X70	B08810X70	B08812X70	B08814X70	B08816X70	B08818X70	B08820X70
75mm	B0886X75	B0888X75	B08810X75	B08812X75	B08814X75	B08816X75	B08818X75	B08820X75
80mm	B0886X80	B0888X80	B08810X80	B08812X80	B08814X80	B08816X80	B08818X80	B08820X80
85mm		B0888X85						
90mm	B0886X90	B0888X90	B08810X90	B08812X90	B08814X90	B08816X90	B08818X90	B08820X90
100mm	B0886X100	B0888X100	B08810X100	B08812X100	B08814X100	B08816X100	B08818X100	B08820X100
110mm			B08810X110	B08812X110	B08814X110	B08816X110		B08820X110
120mm	B0886X120	B0888X120	B08810X120	B08812X120	B08814X120	B08816X120	B08818X120	B08820X120
130mm			B08810X130	B08812X130	B08814X130	B08816X130	B08818X130	B08820X130
140mm			B08810X140	B08812X140	B08814X140	B08816X140		B08820X140
150mm		B0888X150	B08810X150	B08812X150	B08814X150	B08816X150	B08818X150	B08820X150
160mm				B08812X160	B08814X160	B08816X160	B08818X160	B08820X160
180mm				B08812X180	B08814X180	B08816X180	B08818X180	B08820X180
200mm				B08812X200	B08814X200	B08816X200	B08818X200	B08820X200
220mm						B08816X220	B08818X220	B08820X220
240mm						B08816X240	B08818X240	B08820X240
260mm						B08816X260	B08818X260	B08820X260
280mm						B08816X280	B08818X280	B08820X280
300mm						B08816X300	B08818X300	B08820X300
600mm						B08816X600		
800mm								B08820X800

BLACK						
Ø	M22	M24	M30	M36	M42	M48
40mm	B08822X40	B08824X40				
45mm		B08824X45				
50mm	B08822X50	B08824X50				
55mm		B08824X55				
60mm		B08824X60	B08830X60			
65mm	B08822X65	B08824X65				
70mm		B08824X70	B08830X70			
75mm	B08822X75	B08824X75				
80mm		B08824X80	B08830X80	B08836X80	B08842X80	
90mm	B08822X90	B08824X90	B08830X90	B08836X90		
100mm	B08822X100	B08824X100	B08830X100	B08836X100	B08842X100	B08848X100
110mm		B08824X110	B08830X110			
120mm	B08822X120	B08824X120	B08830X120	B08836X120	B08842X120	B08848X120
130mm		B08824X130	B08830X130		B08842X130	B08848X130
140mm		B08824X140	B08830X140	B08836X140	B08842X140	B08848X140
150mm	B08822X150	B08824X150	B08830X150	B08836X150	B08842X150	B08848X150
160mm		B08824X160	B08830X160	B08836X160	B08842X160	B08848X160
180mm		B08824X180	B08830X180	B08836X180	B08842X180	B08848X180
200mm		B08824X200	B08830X200	B08836X200	B08842X200	B08848X200
220mm		B08824X220		B08836X220	B08842X220	B08848X220
240mm		B08824X240		B08836X240		
250mm					B08842X250	B08848X250
260mm		B08824X260		B08836X260		
280mm		B08824X280		B08836X280		
300mm		B08824X300		B08836X300	B08842X300	B08848X300
800mm		B08824X800	B08830X800	B08836X800		

“ KEEPS YOUR BUSINESS **MOVING AND MAKING** ”

**FDG**





ZINC								
Ø	M5	M6	M8	M10	M12	M14	M16	M18
12mm	B0885X12Z	B0886X12Z	B0888X12Z					
16mm	B0885X16Z	B0886X16Z	B0888X16Z	B08810X16Z				
20mm	B0885X20Z	B0886X20Z	B0888X20Z	B08810X20Z	B08812X20Z			
25mm	B0885X25Z	B0886X25Z	B0888X25Z	B08810X25Z	B08812X25Z	B08814X25Z	B08816X25Z	
30mm	B0885X30Z	B0886X30Z	B0888X30Z	B08810X30Z	B08812X30Z	B08814X30Z	B08816X30Z	B08818X30Z
35mm		B0886X35Z	B0888X35Z	B08810X35Z	B08812X35Z	B08814X35Z	B08816X35Z	
40mm	B0885X40Z	B0886X40Z	B0888X40Z	B08810X40Z	B08812X40Z	B08814X40Z	B08816X40Z	B08818X40Z
45mm		B0886X45Z	B0888X45Z	B08810X45Z	B08812X45Z	B08814X45Z	B08816X45Z	
50mm	B0885X50Z	B0886X50Z	B0888X50Z	B08810X50Z	B08812X50Z	B08814X50Z	B08816X50Z	B08818X50Z
55mm		B0886X55Z	B0888X55Z	B08810X55Z	B08812X55Z	B08814X55Z	B08816X55Z	
60mm		B0886X60Z	B0888X60Z	B08810X60Z	B08812X60Z	B08814X60Z	B08816X60Z	B08818X60Z
65mm		B0886X65Z	B0888X65Z	B08810X65Z	B08812X65Z	B08814X65Z	B08816X65Z	B08818X65Z
70mm		B0886X70Z	B0888X70Z	B08810X70Z	B08812X70Z	B08814X70Z	B08816X70Z	B08818X70Z
75mm		B0886X75Z	B0888X75Z	B08810X75Z	B08812X75Z	B08814X75Z	B08816X75Z	B08818X75Z
80mm		B0886X80Z	B0888X80Z	B08810X80Z	B08812X80Z	B08814X80Z	B08816X80Z	B08818X80Z
85mm		B0886X85Z	B0888X85Z	B08810X85Z	B08812X85Z		B08816X85Z	
90mm		B0886X90Z	B0888X90Z	B08810X90Z	B08812X90Z	B08814X90Z	B08816X90Z	B08818X90Z
100mm		B0886X100Z	B0888X100Z	B08810X100Z	B08812X100Z	B08814X100Z	B08816X100Z	B08818X100Z
110mm		B0886X110Z	B0888X110Z	B08810X110Z	B08812X110Z	B08814X110Z	B08816X110Z	
120mm		B0886X120Z	B0888X120Z	B08810X120Z	B08812X120Z	B08814X120Z	B08816X120Z	B08818X120Z
130mm		B0886X130Z	B0888X130Z	B08810X130Z	B08812X130Z	B08814X130Z	B08816X130Z	B08818X130Z
140mm		B0886X140Z	B0888X140Z	B08810X140Z	B08812X140Z	B08814X140Z	B08816X140Z	
150mm		B0886X150Z	B0888X150Z	B08810X150Z	B08812X150Z	B08814X150Z	B08816X150Z	B08818X150Z
160mm				B08810X160Z	B08812X160Z	B08814X160Z	B08816X160Z	B08818X160Z
170mm				B08810X170Z	B08812X170Z		B08816X170Z	
180mm				B08810X180Z	B08812X180Z	B08814X180Z	B08816X180Z	B08818X180Z
200mm				B08810X200Z	B08812X200Z	B08814X200Z	B08816X200Z	B08818X200Z
220mm				B08810X220Z	B08812X220Z		B08816X220Z	B08818X220Z
240mm				B08810X240Z	B08812X240Z		B08816X240Z	B08818X240Z
260mm				B08810X260Z	B08812X260Z		B08816X260Z	B08818X260Z
280mm				B08810X280Z	B08812X280Z		B08816X280Z	B08818X280Z
300mm				B08810X300Z	B08812X300Z		B08816X300Z	B08818X300Z

ZINC				
Ø	M20	M24	M30	M36
30mm	B08820X30Z			
40mm	B08820X40Z	B08824X40Z		
45mm	B08820X45Z	B08824X45Z		
50mm	B08820X50Z	B08824X50Z		
55mm	B08820X55Z	B08824X55Z		
60mm	B08820X60Z	B08824X60Z	B08830X60Z	
65mm	B08820X65Z	B08824X65Z		
70mm	B08820X70Z	B08824X70Z	B08830X70Z	
75mm	B08820X75Z	B08824X75Z		
80mm	B08820X80Z	B08824X80Z	B08830X80Z	B08836X80Z
85mm	B08820X85Z			
90mm	B08820X90Z	B08824X90Z	B08830X90Z	B08836X90Z
100mm	B08820X100Z	B08824X100Z	B08830X100Z	B08836X100Z
110mm	B08820X110Z	B08824X110Z	B08830X110Z	
120mm	B08820X120Z	B08824X120Z	B08830X120Z	B08836X120Z
130mm	B08820X130Z	B08824X130Z	B08830X130Z	
140mm	B08820X140Z	B08824X140Z	B08830X140Z	B08836X140Z
150mm	B08820X150Z	B08824X150Z	B08830X150Z	B08836X150Z
160mm	B08820X160Z	B08824X160Z	B08830X160Z	B08836X160Z
170mm	B08820X170Z			
180mm	B08820X180Z	B08824X180Z	B08830X180Z	B08836X180Z
200mm	B08820X200Z	B08824X200Z	B08830X200Z	B08836X200Z
220mm	B08820X220Z	B08824X220Z	B08830X220Z	B08836X220Z
240mm	B08820X240Z	B08824X240Z	B08830X240Z	B08836X240Z
260mm	B08820X260Z	B08824X260Z	B08830X260Z	B08836X260Z
280mm	B08820X280Z	B08824X280Z	B08830X280Z	B08836X280Z
300mm	B08820X300Z	B08824X300Z	B08830X300Z	B08836X300Z
320mm	B08820X320Z			
340mm	B08820X340Z			
360mm	B08820X360Z			
380mm	B08820X380Z			
400mm	B08820X400Z			





BLACK						
Ø	M10	M12	M16	M20	M24	M30
25mm	B010.9-10X25					
30mm	B010.9-10X30	B010.9-12X30				
35mm			B010.9-16X35			
40mm	B010.9-10X40	B010.9-12X40	B010.9-16X40	B010.9-20X40		
45mm		B010.9-12X45		B010.9-20X45		
50mm	B010.9-10X50	B010.9-12X50	B010.9-16X50	B010.9-20X50	B010.9-24X50	
55mm				B010.9-20X55		
60mm	B010.9-10X60	B010.9-12X60	B010.9-16X60	B010.9-20X60	B010.9-24X60	
65mm				B010.9-20X65		
70mm	B010.9-10X70	B010.9-12X70	B010.9-16X70	B010.9-20X70	B010.9-24X70	
75mm		B010.9-12X75		B010.9-20X75		
80mm	B010.9-10X80	B010.9-12X80	B010.9-16X80	B010.9-20X80	B010.9-24X80	B010.9-30X80
90mm			B010.9-16X90	B010.9-20X90	B010.9-24X90	
100mm	B010.9-10X100	B010.9-12X100	B010.9-16X100	B010.9-20X100	B010.9-24X100	B010.9-30X100
110mm				B010.9-20X110	B010.9-24X110	
120mm		B010.9-12X120	B010.9-16X120	B010.9-20X120	B010.9-24X120	B010.9-30X120
130mm		B010.9-12X130	B010.9-16X130	B010.9-20X130	B010.9-24X130	B010.9-30X130
140mm			B010.9-16X140	B010.9-20X140	B010.9-24X140	B010.9-30X140
150mm		B010.9-12X150	B010.9-16X150	B010.9-20X150	B010.9-24X150	
160mm			B010.9-16X160	B010.9-20X160	B010.9-24X160	B010.9-30X160
180mm			B010.9-16X180	B010.9-20X180	B010.9-24X180	B010.9-30X180
200mm			B010.9-16X200	B010.9-20X200	B010.9-24X200	B010.9-30X200
210mm			B010.9-16X210	B010.9-20X210		
280mm				B010.9-20X280		
300mm					B010.9-24X300	
380mm						B010.9-30X380
400mm						B010.9-30X400



ZINC								
Ø	M8	M10	M12	M14	M16	M20	M24	M30
20mm	B010.9-8X20Z							
25mm	B010.9-8X25Z	B010.9-10X25Z						
30mm	B010.9-8X30Z	B010.9-10X30Z	B010.9-12X30Z	B010.9-14X30Z	B010.9-16X30Z			
35mm	B010.9-8X35Z	B010.9-10X35Z	B010.9-12X35Z		B010.9-16X35Z			
40mm	B010.9-8X40Z	B010.9-10X40Z	B010.9-12X40Z	B010.9-14X40Z	B010.9-16X40Z	B010.9-20X40Z		
45mm				B010.9-14X45Z		B010.9-20X45Z		
50mm	B010.9-8X50Z	B010.9-10X50Z	B010.9-12X50Z	B010.9-14X50Z	B010.9-16X50Z	B010.9-20X50Z	B010.9-24X50Z	
55mm			B010.9-12X55Z		B010.9-16X55Z	B010.9-20X55Z		
60mm	B010.9-8X60Z	B010.9-10X60Z	B010.9-12X60Z	B010.9-14X60Z	B010.9-16X60Z	B010.9-20X60Z	B010.9-24X60Z	
65mm	B010.9-8X65Z	B010.9-10X65Z	B010.9-12X65Z	B010.9-14X65Z	B010.9-16X65Z	B010.9-20X65Z		
70mm	B010.9-8X70Z	B010.9-10X70Z	B010.9-12X70Z	B010.9-14X70Z	B010.9-16X70Z	B010.9-20X70Z	B010.9-24X70Z	
75mm	B010.9-8X75Z	B010.9-10X75Z	B010.9-12X75Z	B010.9-14X75Z	B010.9-16X75Z	B010.9-20X75Z	B010.9-24X75Z	
80mm	B010.9-8X80Z	B010.9-10X80Z	B010.9-12X80Z	B010.9-14X80Z	B010.9-16X80Z	B010.9-20X80Z	B010.9-24X80Z	B010.9-30X80Z
90mm	B010.9-8X90Z	B010.9-10X90Z	B010.9-12X90Z	B010.9-14X90Z	B010.9-16X90Z	B010.9-20X90Z	B010.9-24X90Z	
100mm	B010.9-8X100Z	B010.9-10X100Z	B010.9-12X100Z	B010.9-14X100Z	B010.9-16X100Z	B010.9-20X100Z	B010.9-24X100Z	B010.9-30X100Z
110mm		B010.9-10X110Z	B010.9-12X110Z		B010.9-16X110Z	B010.9-20X110Z	B010.9-24X110Z	
120mm		B010.9-10X120Z	B010.9-12X120Z	B010.9-14X120Z	B010.9-16X120Z	B010.9-20X120Z	B010.9-24X120Z	B010.9-30X120Z
130mm		B010.9-10X130Z	B010.9-12X130Z		B010.9-16X130Z	B010.9-20X130Z	B010.9-24X130Z	
140mm			B010.9-12X140Z		B010.9-16X140Z	B010.9-20X140Z	B010.9-24X140Z	B010.9-30X140Z
150mm			B010.9-12X150Z		B010.9-16X150Z	B010.9-20X150Z	B010.9-24X150Z	B010.9-30X150Z
160mm					B010.9-16X160Z	B010.9-20X160Z	B010.9-24X160Z	B010.9-30X160Z
180mm					B010.9-16X180Z	B010.9-20X180Z	B010.9-24X180Z	B010.9-30X180Z
200mm					B010.9-16X200Z	B010.9-20X200Z	B010.9-24X200Z	B010.9-30X200Z





304 STAINLESS						
Ø	M6	M8	M10	M12	M16	M20
8mm	SS6X8A2					
10mm	SS6X10A2					
12mm	SS6X12A2	SS8X12A2				
16mm	SS6X16A2	SS8X16A2	SS10X16A2			
20mm	SS6X20A2	SS8X20A2	SS10X20A2			
25mm	SS6X25A2	SS8X25A2	SS10X25A2	SS12X25A2		
30mm	SS6X30A2	SS8X30A2	SS10X30A2	SS12X30A2	SS16X30A2	SS20X30A2
35mm	SS6X35A2	SS8X35A2	SS10X35A2	SS12X35A2	SS16X35A2	SS20X35A2
40mm	SS6X40A2	SS8X40A2	SS10X40A2	SS12X40A2	SS16X40A2	SS20X40A2
45mm	SS6X45A2	SS8X45A2	SS10X45A2		SS16X45A2	SS20X45A2
50mm	SS6X50A2	SS8X50A2	SS10X50A2	SS12X50A2	SS16X50A2	SS20X50A2
55mm		SS8X55A2				SS20X55A2
60mm	SS6X60A2	SS8X60A2	SS10X60A2		SS16X60A2	SS20X60A2
65mm		SS8X65A2	SS10X65A2			
75mm	SS6X75A2		SS10X75A2			
100mm		SS8X100A2	SS10X100A2			

316 STAINLESS					
Ø	M14	M16	M18	M20	M24
25mm	SS14X25A4	SS16X25A4			
30mm	SS14X30A4	SS16X30A4			
35mm	SS14X35A4	SS16X35A4			
40mm	SS14X40A4	SS16X40A4		SS20X40A4	
45mm		SS16X45A4		SS20X45A4	
50mm	SS14X50A4	SS16X50A4	SS18X50A4	SS20X50A4	SS24X50A4
55mm		SS16X55A4		SS20X55A4	SS24X55A4
60mm	SS14X60A4	SS16X60A4		SS20X60A4	SS24X60A4
65mm			SS18X65A4	SS20X65A4	SS24X65A4
70mm		SS16X70A4			
75mm		SS16X75A4			
80mm					SS24X80A4
100mm	SS14X100A4	SS16X100A4		SS20X100A4	SS24X100A4

316 STAINLESS						
Ø	M4	M5	M6	M8	M10	M12
6mm	SS4X6A4					
8mm	SS4X8A4					
10mm	SS4X10A4	SS5X10A4	SS6X10A4			
12mm	SS4X12A4	SS5X12A4	SS6X12A4	SS8X12A4		
16mm	SS4X16A4	SS5X16A4	SS6X16A4	SS8X16A4	SS10X16A4	
20mm	SS4X20A4	SS5X20A4	SS6X20A4	SS8X20A4	SS10X20A4	SS12X20A4
25mm	SS4X25A4	SS5X25A4	SS6X25A4	SS8X25A4	SS10X25A4	SS12X25A4
30mm	SS4X30A4	SS5X30A4	SS6X30A4	SS8X30A4	SS10X30A4	SS12X30A4
35mm	SS4X35A4	SS5X35A4	SS6X35A4	SS8X35A4	SS10X35A4	SS12X35A4
40mm	SS4X40A4	SS5X40A4	SS6X40A4	SS8X40A4	SS10X40A4	SS12X40A4
45mm			SS6X45A4	SS8X45A4	SS10X45A4	SS12X45A4
50mm	SS4X50A4	SS5X50A4	SS6X50A4	SS8X50A4	SS10X50A4	SS12X50A4
60mm		SS5X60A4	SS6X60A4	SS8X60A4	SS10X60A4	SS12X60A4
65mm				SS8X65A4	SS10X65A4	SS12X65A4
75mm				SS8X75A4	SS10X75A4	SS12X75A4
100mm				SS8X100A4	SS10X100A4	SS12X100A4

## CRC NOXY

### Multipurpose high-strength lubricant








304 STAINLESS							
Ø	M6	M8	M10	M12	M16	M20	M24
30mm	B06X30A2						
35mm	B06X35A2	B08X35A2	B010X35A2				
40mm	B06X40A2	B08X40A2	B010X40A2	B012X40A2			
45mm	B06X45A2	B08X45A2	B010X45A2	B012X45A2			
50mm	B06X50A2	B08X50A2	B010X50A2	B012X50A2	B016X50A2		
55mm	B06X55A2	B08X55A2	B010X55A2	B012X55A2	B016X55A2		
60mm	B06X60A2	B08X60A2	B010X60A2	B012X60A2	B016X60A2	B020X60A2	
65mm	B06X65A2	B08X65A2	B010X65A2	B012X65A2	B016X65A2	B020X65A2	
70mm	B06X70A2	B08X70A2	B010X70A2	B012X70A2	B016X70A2	B020X70A2	
75mm	B06X75A2	B08X75A2	B010X75A2	B012X75A2	B016X75A2	B020X75A2	
80mm	B06X80A2	B08X80A2	B010X80A2	B012X80A2	B016X80A2	B020X80A2	B024X80A2
85mm					B016X85A2		
90mm	B06X90A2	B08X90A2	B010X90A2	B012X90A2	B016X90A2	B020X90A2	B024X90A2
100mm	B06X100A2	B08X100A2	B010X100A2	B012X100A2	B016X100A2	B020X100A2	B024X100A2
110mm	B06X110A2	B08X110A2	B010X110A2	B012X110A2	B016X110A2	B020X110A2	
120mm	B06X120A2	B08X120A2	B010X120A2	B012X120A2	B016X120A2	B020X120A2	B024X120A2
130mm	B06X130A2	B08X130A2	B010X130A2	B012X130A2	B016X130A2	B020X130A2	B024X130A2
140mm		B08X140A2	B010X140A2	B012X140A2	B016X140A2	B020X140A2	B024X140A2
150mm	B06X150A2	B08X150A2	B010X150A2	B012X150A2	B016X150A2	B020X150A2	B024X150A2
160mm			B010X160A2	B012X160A2	B016X160A2	B020X160A2	
170mm				B012X170A2	B016X170A2		
180mm			B010X180A2	B012X180A2	B016X180A2	B020X180A2	
190mm				B012X190A2	B016X190A2		
200mm			B010X200A2	B012X200A2	B016X200A2	B020X200A2	
210mm				B012X210A2			
220mm				B012X220A2	B016X220A2		
230mm				B012X230A2	B016X230A2		
240mm				B012X240A2	B016X240A2		
250mm				B012X250A2	B016X250A2		
260mm				B012X260A2	B016X260A2		
280mm				B012X280A2	B016X280A2		
290mm				B012X290A2			
300mm				B012X300A2	B016X300A2		

316 STAINLESS						
Ø	M6	M8	M10	M12	M14	M16
30mm	B06X30A4					
35mm	B06X35A4	B08X35A4				
40mm	B06X40A4	B08X40A4	B010X40A4	B012X40A4		
45mm	B06X45A4	B08X45A4	B010X45A4	B012X45A4		
50mm	B06X50A4	B08X50A4	B010X50A4	B012X50A4		B016X50A4
55mm	B06X55A4	B08X55A4	B010X55A4	B012X55A4		B016X55A4
60mm	B06X60A4	B08X60A4	B010X60A4	B012X60A4		B016X60A4
65mm	B06X65A4	B08X65A4	B010X65A4	B012X65A4		B016X65A4
70mm	B06X70A4	B08X70A4	B010X70A4	B012X70A4	B014X70A4	B016X70A4
75mm	B06X75A4	B08X75A4	B010X75A4	B012X75A4		B016X75A4
80mm	B06X80A4	B08X80A4	B010X80A4	B012X80A4	B014X80A4	B016X80A4
90mm	B06X90A4	B08X90A4	B010X90A4	B012X90A4	B014X90A4	B016X90A4
100mm	B06X100A4	B08X100A4	B010X100A4	B012X100A4	B014X100A4	B016X100A4
110mm	B06X110A4	B08X110A4	B010X110A4	B012X110A4		B016X110A4
120mm	B06X120A4	B08X120A4	B010X120A4	B012X120A4	B014X120A4	B016X120A4
130mm	B06X130A4	B08X130A4	B010X130A4	B012X130A4		B016X130A4
140mm		B08X140A4	B010X140A4	B012X140A4		B016X140A4
150mm	B06X150A4	B08X150A4	B010X150A4	B012X150A4	B014X150A4	B016X150A4
160mm		B08X160A4	B010X160A4	B012X160A4		B016X160A4
170mm			B010X170A4	B012X170A4		B016X170A4
180mm			B010X180A4	B012X180A4	B014X180A4	B016X180A4
190mm			B010X190A4	B012X190A4		B016X190A4
200mm			B010X200A4	B012X200A4	B014X200A4	B016X200A4
220mm			B010X220A4	B012X220A4		B016X220A4
240mm				B012X240A4		B016X240A4
250mm				B012X250A4		
260mm				B012X260A4		B016X260A4
280mm				B012X280A4		B016X280A4
300mm				B012X300A4		B016X300A4
350mm				B012X350A4		B016X350A4
400mm				B012X400A4		B016X400A4
450mm				B012X450A4		B016X450A4
500mm						B016X500A4





## 316 STAINLESS

Ø	M20	M24	M27	M30	M33
60mm	B020X60A4				
65mm	B020X65A4				
70mm	B020X70A4	B024X70A4			
75mm	B020X75A4	B024X75A4			
80mm	B020X80A4	B024X80A4	B027X80A4		
90mm	B020X90A4	B024X90A4	B027X90A4		B033X90A4
100mm	B020X100A4	B024X100A4	B027X100A4		B033X100A4
110mm	B020X110A4	B024X110A4	B027X110A4		B033X110A4
120mm	B020X120A4	B024X120A4	B027X120A4	B030X120A4	
130mm	B020X130A4	B024X130A4	B027X130A4		
140mm	B020X140A4	B024X140A4	B027X140A4	B030X140A4	B033X140A4
150mm	B020X150A4	B024X150A4	B027X150A4	B030X150A4	B033X150A4
160mm	B020X160A4	B024X160A4	B027X160A4	B030X160A4	B033X160A4
170mm	B020X170A4		B027X170A4		
180mm	B020X180A4	B024X180A4	B027X180A4	B030X180A4	B033X180A4
190mm	B020X190A4				B033X190A4
200mm	B020X200A4	B024X200A4	B027X200A4	B030X200A4	B033X200A4
220mm	B020X220A4	B024X220A4			B033X220A4
240mm	B020X240A4	B024X240A4	B027X240A4		
260mm	B020X260A4	B024X260A4			
280mm	B020X280A4	B024X280A4			
300mm	B020X300A4	B024X300A4			
350mm	B020X350A4	B024X350A4			
400mm	B020X400A4	B024X400A4			
450mm	B020X450A4	B024X450A4			
500mm	B020X500A4	B024X500A4			

## BLACK

Ø	FINE	FINE	EXTRA FINE	FINE	EXTRA FINE	FINE
	M8 x 1.0	M10 x 1.25	M10 x 1.0	M12 x 1.5	M12 x 1.25	M14 x 1.5
20mm	B0888X1.0X20	B08810X1.25X20		B08812X1.5X20	B08812X1.25X20	
25mm	B0888X1.0X25	B08810X1.25X25	B08810X1.0X25	B08812X1.5X25	B08812X1.25X25	B08814X1.5X25
30mm	B0888X1.0X30	B08810X1.25X30	B08810X1.0X30	B08812X1.5X30	B08812X1.25X30	B08814X1.5X30
35mm	B0888X1.0X35	B08810X1.25X35	B08810X1.0X35	B08812X1.5X35	B08812X1.25X35	B08814X1.5X35
40mm	B0888X1.0X40	B08810X1.25X40	B08810X1.0X40	B08812X1.5X40	B08812X1.25X40	B08814X1.5X40
45mm		B08810X1.25X45	B08810X1.0X45	B08812X1.5X45	B08812X1.25X45	B08814X1.5X45
50mm	B0888X1.0X50	B08810X1.25X50	B08810X1.0X50	B08812X1.5X50	B08812X1.25X50	B08814X1.5X50
55mm		B08810X1.25X55		B08812X1.5X55		B08814X1.5X55
60mm		B08810X1.25X60		B08812X1.5X60	B08812X1.25X60	B08814X1.5X60
65mm		B08810X1.25X65		B08812X1.5X65	B08812X1.25X65	B08814X1.5X65
70mm		B08810X1.25X70		B08812X1.5X70	B08812X1.25X70	B08814X1.5X70
75mm		B08810X1.25X75		B08812X1.5X75	B08812X1.25X75	B08814X1.5X75
80mm		B08810X1.25X80		B08812X1.5X80	B08812X1.25X80	B08814X1.5X80
90mm		B08810X1.25X90		B08812X1.5X90	B08812X1.25X90	B08814X1.5X90
100mm		B08810X1.25X100		B08812X1.5X100	B08812X1.25X100	B08814X1.5X100
110mm				B08812X1.5X110	B08812X1.25X110	B08814X1.5X110
120mm		B08810X1.25X120		B08812X1.5X120	B08812X1.25X120	B08814X1.5X120
130mm				B08812X1.5X130	B08812X1.25X130	B08814X1.5X130
140mm		B08810X1.25X140		B08812X1.5X140	B08812X1.25X140	B08814X1.5X140
150mm				B08812X1.5X150	B08812X1.25X150	B08814X1.5X150

### RAPIDSTICK 8242 THREADLOCKER

PART NO.	SIZE	PACK QTY
CL8242LT-10	10ml	6
CL8242LT-50	50ml	6
CL8242LT-250	250ml	6

Rapidstick 8242 Threadlocker is fast curing with medium strength and specifically formulated to give controlled friction and torque/tension ratio during assembly. It is designed for plated parts and vibrating or moving components, and is ideal for fasteners with diameters between 6mm to 20mm (1/4" to 3/4").

8242 provides a chemically resistant lock and seal to threaded joints, nuts, screws, and studs, meeting 90% of all nut and bold thread locking applications, and performs best in thin bond gaps. It can also be used for the retaining of cylindrical parts.





BLACK					
Ø	FINE	FINE	FINE	FINE	FINE
	M16 x 1.5	M18 x 1.5	M20 x 1.5	M22 x 1.5	M24 x 2.0
25mm	B08816X1.5X25				
30mm	B08816X1.5X30				
35mm	B08816X1.5X35				
40mm	B08816X1.5X40	B08818X1.5X40	B08820X1.5X40	B08822X1.5X40	
45mm	B08816X1.5X45	B08818X1.5X45	B08820X1.5X45		
50mm	B08816X1.5X50	B08818X1.5X50	B08820X1.5X50	B08822X1.5X50	B08824X2.0X50
55mm		B08818X1.5X55	B08820X1.5X55		
60mm	B08816X1.5X60	B08818X1.5X60	B08820X1.5X60		
65mm	B08816X1.5X65	B08818X1.5X65	B08820X1.5X65	B08822X1.5X65	
70mm	B08816X1.5X70	B08818X1.5X70	B08820X1.5X70		
75mm	B08816X1.5X75	B08818X1.5X75	B08820X1.5X75	B08822X1.5X75	B08824X2.0X75
80mm	B08816X1.5X80	B08818X1.5X80	B08820X1.5X80		
90mm	B08816X1.5X90	B08818X1.5X90	B08820X1.5X90	B08822X1.5X90	B08824X2.0X90
100mm	B08816X1.5X100	B08818X1.5X100	B08820X1.5X100	B08822X1.5X100	B08824X2.0X100
110mm	B08816X1.5X110	B08818X1.5X110	B08820X1.5X110	B08822X1.5X110	
120mm	B08816X1.5X120	B08818X1.5X120	B08820X1.5X120	B08822X1.5X120	B08824X2.0X120
130mm	B08816X1.5X130	B08818X1.5X130	B08820X1.5X130	B08822X1.5X130	B08824X2.0X130
140mm	B08816X1.5X140	B08818X1.5X140	B08820X1.5X140		
150mm	B08816X1.5X150	B08818X1.5X150	B08820X1.5X150		
180mm		B08818X1.5X180			

ZINC					
Ø	FINE	FINE	EXTRA FINE	FINE	EXTRA FINE
	M8 x 1.0	M10 x 1.25	M10 x 1.0	M12 x 1.5	M12 x 1.25
20mm	B0888X1.0X20Z	B08810X1.25X20Z		B08812X1.5X20Z	B08812X1.25X20Z
25mm	B0888X1.0X25Z	B08810X1.25X25Z	B08810X1.0X25Z	B08812X1.5X25Z	B08812X1.25X25Z
30mm	B0888X1.0X30Z	B08810X1.25X30Z	B08810X1.0X30Z	B08812X1.5X30Z	B08812X1.25X30Z
35mm	B0888X1.0X35Z	B08810X1.25X35Z	B08810X1.0X35Z	B08812X1.5X35Z	B08812X1.25X35Z
40mm	B0888X1.0X40Z	B08810X1.25X40Z	B08810X1.0X40Z	B08812X1.5X40Z	B08812X1.25X40Z
45mm	B0888X1.0X45Z	B08810X1.25X45Z	B08810X1.0X45Z	B08812X1.5X45Z	B08812X1.25X45Z
50mm	B0888X1.0X50Z	B08810X1.25X50Z	B08810X1.0X50Z	B08812X1.5X50Z	B08812X1.25X50Z
55mm		B08810X1.25X55Z		B08812X1.5X55Z	B08812X1.25X55Z
60mm		B08810X1.25X60Z		B08812X1.5X60Z	B08812X1.25X60Z
65mm		B08810X1.25X65Z		B08812X1.5X65Z	B08812X1.25X65Z
70mm		B08810X1.25X70Z		B08812X1.5X70Z	B08812X1.25X70Z
75mm		B08810X1.25X75Z		B08812X1.5X75Z	B08812X1.25X75Z
80mm		B08810X1.25X80Z		B08812X1.5X80Z	B08812X1.25X80Z
90mm		B08810X1.25X90Z		B08812X1.5X90Z	B08812X1.25X90Z
100mm		B08810X1.25X100Z		B08812X1.5X100Z	B08812X1.25X100Z
110mm		B08810X1.25X110Z		B08812X1.5X110Z	B08812X1.25X110Z
120mm		B08810X1.25X120Z		B08812X1.5X120Z	B08812X1.25X120Z
130mm		B08810X1.25X130Z		B08812X1.5X130Z	B08812X1.25X130Z
140mm		B08810X1.25X140Z		B08812X1.5X140Z	B08812X1.25X140Z
150mm		B08810X1.25X150Z		B08812X1.5X150Z	B08812X1.25X150Z



CODE: TDSI29G  
**Alpha 29pce Imperial Tuffbox Drill Set 1/16-1/2in** on page 300.



CODE: TDSM25G  
**Alpha 25pce Metric Tuffbox Drill Set 1.0-13.0mm** on page 300.





ZINC				
Ø	FINE	FINE	FINE	FINE
	M14 x 1.5	M16 x 1.5	M18 x 1.5	M20 x 1.5
25mm	B08814X1.5X25Z	B08816X1.5X25Z		
30mm	B08814X1.5X30Z	B08816X1.5X30Z		
35mm	B08814X1.5X35Z	B08816X1.5X35Z		
40mm	B08814X1.5X40Z	B08816X1.5X40Z	B08818X1.5X40Z	B08820X1.5X40Z
45mm	B08814X1.5X45Z	B08816X1.5X45Z	B08818X1.5X45Z	B08820X1.5X45Z
50mm	B08814X1.5X50Z	B08816X1.5X50Z	B08818X1.5X50Z	B08820X1.5X50Z
55mm	B08814X1.5X55Z		B08818X1.5X55Z	B08820X1.5X55Z
60mm	B08814X1.5X60Z	B08816X1.5X60Z	B08818X1.5X60Z	B08820X1.5X60Z
65mm	B08814X1.5X65Z	B08816X1.5X65Z	B08818X1.5X65Z	B08820X1.5X65Z
70mm	B08814X1.5X70Z	B08816X1.5X70Z	B08818X1.5X70Z	B08820X1.5X70Z
75mm	B08814X1.5X75Z	B08816X1.5X75Z	B08818X1.5X75Z	B08820X1.5X75Z
80mm	B08814X1.5X80Z	B08816X1.5X80Z	B08818X1.5X80Z	B08820X1.5X80Z
90mm	B08814X1.5X90Z	B08816X1.5X90Z	B08818X1.5X90Z	B08820X1.5X90Z
100mm	B08814X1.5X100Z	B08816X1.5X100Z	B08818X1.5X100Z	B08820X1.5X100Z
110mm	B08814X1.5X110Z	B08816X1.5X110Z	B08818X1.5X110Z	B08820X1.5X110Z
120mm	B08814X1.5X120Z	B08816X1.5X120Z	B08818X1.5X120Z	B08820X1.5X120Z
130mm	B08814X1.5X130Z	B08816X1.5X130Z	B08818X1.5X130Z	B08820X1.5X130Z
140mm	B08814X1.5X140Z	B08816X1.5X140Z	B08818X1.5X140Z	B08820X1.5X140Z
150mm	B08814X1.5X150Z	B08816X1.5X150Z	B08818X1.5X150Z	B08820X1.5X150Z
180mm			B08818X1.5X180Z	

BLACK								
Ø	1/4"	5/16"	3/8"	7/16"	1/2"	5/8"	3/4"	1"
1/2"	SS5C1/4X1/2	SS5C5/16X1/2						
5/8"		SS5C5/16X5/8						
3/4"	SS5C1/4X3/4	SS5C5/16X3/4	SS5C3/8X3/4					
1"	SS5C1/4X1	SS5C5/16X1	SS5C3/8X1	SS5C7/16X1	SS5C1/2X1	SS5C5/8X1		
1-1/4"		SS5C5/16X1-1/4	SS5C3/8X1-1/4	SS5C7/16X1-1/4	SS5C1/2X1-1/4	SS5C5/8X1-1/4		
1-1/2"			SS5C3/8X1-1/2	SS5C7/16X1-1/2	SS5C1/2X1-1/2	SS5C5/8X1-1/2	SS5C3/4X1-1/2	
1-3/4"			SS5C3/8X1-3/4			SS5C5/8X1-3/4	SS5C3/4X1-3/4	
2"				SS5C7/16X2		SS5C5/8X2	SS5C3/4X2	SS5C1X2
2-1/2"							SS5C3/4X2-1/2	SS5C1X2-1/2



ZINC							
Ø	1/4"	5/16"	3/8"	7/16"	1/2"	5/8"	3/4"
1/2"	SS5C1/4X1/2Z	SS5C5/16X1/2Z					
5/8"		SS5C5/16X5/8Z					
3/4"	SS5C1/4X3/4Z	SS5C5/16X3/4Z	SS5C3/8X3/4Z				
1"	SS5C1/4X1Z	SS5C5/16X1Z	SS5C3/8X1Z	SS5C7/16X1Z	SS5C1/2X1Z	SS5C5/8X1Z	
1-1/4"	SS5C1/4X1-1/4Z	SS5C5/16X1-1/4Z	SS5C3/8X1-1/4Z	SS5C7/16X1-1/4Z	SS5C1/2X1-1/4Z	SS5C5/8X1-1/4Z	
1-1/2"	SS5C1/4X1-1/2Z	SS5C5/16X1-1/2Z	SS5C3/8X1-1/2Z	SS5C7/16X1-1/2Z	SS5C1/2X1-1/2Z	SS5C5/8X1-1/2Z	SS5C3/4X1-1/2Z
1-3/4"		SS5C5/16X1-3/4Z	SS5C3/8X1-3/4Z			SS5C5/8X1-3/4Z	SS5C3/4X1-3/4Z
2"	SS5C1/4X2Z	SS5C5/16X2Z	SS5C3/8X2Z	SS5C7/16X2Z	SS5C1/2X2Z	SS5C5/8X2Z	SS5C3/4X2Z
2-1/2"		SS5C5/16X2-1/2Z				SS5C5/8X2-1/2Z	SS5C3/4X2-1/2Z
3"		SS5C5/16X3Z			SS5C1/2X3Z		





BLACK				
Ø	1/4"	5/16"	3/8"	7/16"
1/2"	BN5C1/4X1/2	BN5C5/16X1/2		
5/8"	BN5C1/4X5/8	BN5C5/16X5/8		
3/4"	BN5C1/4X3/4	BN5C5/16X3/4	BN5C3/8X3/4	BN5C7/16X3/4
1"	BN5C1/4X1	BN5C5/16X1	BN5C3/8X1	BN5C7/16X1
1-1/4"	BN5C1/4X1-1/4	BN5C5/16X1-1/4	BN5C3/8X1-1/4	BN5C7/16X1-1/4
1-1/2"	BN5C1/4X1-1/2	BN5C5/16X1-1/2	BN5C3/8X1-1/2	BN5C7/16X1-1/2
1-3/4"	BN5C1/4X1-3/4	BN5C5/16X1-3/4	BN5C3/8X1-3/4	BN5C7/16X1-3/4
2"	BN5C1/4X2	BN5C5/16X2	BN5C3/8X2	BN5C7/16X2
2-1/4"	BN5C1/4X2-1/4	BN5C5/16X2-1/4	BN5C3/8X2-1/4	BN5C7/16X2-1/4
2-1/2"	BN5C1/4X2-1/2	BN5C5/16X2-1/2	BN5C3/8X2-1/2	BN5C7/16X2-1/2
2-3/4"	BN5C1/4X2-3/4	BN5C5/16X2-3/4	BN5C3/8X2-3/4	BN5C7/16X2-3/4
3"	BN5C1/4X3	BN5C5/16X3	BN5C3/8X3	BN5C7/16X3
3-1/2"	BN5C1/4X3-1/2	BN5C5/16X3-1/2	BN5C3/8X3-1/2	BN5C7/16X3-1/2
4"	BN5C1/4X4	BN5C5/16X4	BN5C3/8X4	BN5C7/16X4
4-1/2"	BN5C1/4X4-1/2	BN5C5/16X4-1/2	BN5C3/8X4-1/2	BN5C7/16X4-1/2
5"	BN5C1/4X5	BN5C5/16X5	BN5C3/8X5	BN5C7/16X5
5-1/2"	BN5C1/4X5-1/2	BN5C5/16X5-1/2	BN5C3/8X5-1/2	BN5C7/16X5-1/2
6"	BN5C1/4X6	BN5C5/16X6	BN5C3/8X6	BN5C7/16X6
7"			BN5C3/8X7	
8"			BN5C3/8X8	



ZINC				
Ø	1/4"	5/16"	3/8"	7/16"
1/2"	BN5C1/4X1/2Z	BN5C5/16X1/2Z		
5/8"	BN5C1/4X5/8Z	BN5C5/16X5/8Z		
3/4"	BN5C1/4X3/4Z	BN5C5/16X3/4Z	BN5C3/8X3/4Z	
1"	BN5C1/4X1Z	BN5C5/16X1Z	BN5C3/8X1Z	BN5C7/16X1Z
1-1/4"	BN5C1/4X1-1/4Z	BN5C5/16X1-1/4Z	BN5C3/8X1-1/4Z	BN5C7/16X1-1/4Z
1-1/2"	BN5C1/4X1-1/2Z	BN5C5/16X1-1/2Z	BN5C3/8X1-1/2Z	BN5C7/16X1-1/2Z
1-3/4"	BN5C1/4X1-3/4Z	BN5C5/16X1-3/4Z	BN5C3/8X1-3/4Z	BN5C7/16X1-3/4Z
2"	BN5C1/4X2Z	BN5C5/16X2Z	BN5C3/8X2Z	BN5C7/16X2Z
2-1/4"	BN5C1/4X2-1/4Z	BN5C5/16X2-1/4Z	BN5C3/8X2-1/4Z	BN5C7/16X2-1/4Z
2-1/2"	BN5C1/4X2-1/2Z	BN5C5/16X2-1/2Z	BN5C3/8X2-1/2Z	BN5C7/16X2-1/2Z
2-3/4"	BN5C1/4X2-3/4Z	BN5C5/16X2-3/4Z	BN5C3/8X2-3/4Z	BN5C7/16X2-3/4Z
3"	BN5C1/4X3Z	BN5C5/16X3Z	BN5C3/8X3Z	BN5C7/16X3Z
3-1/2"	BN5C1/4X3-1/2Z	BN5C5/16X3-1/2Z	BN5C3/8X3-1/2Z	BN5C7/16X3-1/2Z
4"	BN5C1/4X4Z	BN5C5/16X4Z	BN5C3/8X4Z	BN5C7/16X4Z
4-1/2"	BN5C1/4X4-1/2Z	BN5C5/16X4-1/2Z	BN5C3/8X4-1/2Z	BN5C7/16X4-1/2Z
5"	BN5C1/4X5Z	BN5C5/16X5Z	BN5C3/8X5Z	BN5C7/16X5Z
5-1/2"	BN5C1/4X5-1/2Z	BN5C5/16X5-1/2Z	BN5C3/8X5-1/2Z	BN5C7/16X5-1/2Z
6"	BN5C1/4X6Z	BN5C5/16X6Z	BN5C3/8X6Z	BN5C7/16X6Z
7"			BN5C3/8X7Z	
8"			BN5C3/8X8Z	

“KEEP UP TO DATE WITH OUR RECENT PROJECTS, INDUSTRY NEWS AND PRODUCT OFFERS”

FOLLOW US



/fastenersdirectglobal



/fasteners-direct-globaLtd



www.fdgnc.com





# IMPERIAL GRADE 5 SET SCREW UNF

# IMPERIAL GRADE 5 BOLT & NUT UNF



BLACK					
Ø	1/4"	5/16"	3/8"	7/16"	1/2"
1/2"	SS5F1/4X1/2	SS5F5/16X1/2			
5/8"	SS5F1/4X5/8	SS5F5/16X5/8			
3/4"	SS5F1/4X3/4	SS5F5/16X3/4	SS5F3/8X3/4		SS5F1/2X3/4
1"	SS5F1/4X1	SS5F5/16X1	SS5F3/8X1	SS5F7/16X1	SS5F1/2X1
1-1/4"		SS5F5/16X1-1/4	SS5F3/8X1-1/4	SS5F7/16X1-1/4	SS5F1/2X1-1/4
1-1/2"				SS5F7/16X1-1/2	SS5F1/2X1-1/2
2"					SS5F1/2X2

BLACK				
Ø	5/8"	3/4"	1" 14 TPI	1-1/4"
1"	SS5F5/8x1			
1-1/4"	SS5F5/8x1-1/4			
1-1/2"	SS5F5/8x1-1/2	SS5F3/4X1-1/2		
1-3/4"	SS5F5/8x1-3/4	SS5F3/4X1-3/4		
2"	SS5F5/8x2	SS5F3/4X2	SS5F1-14X2	SS5F1-1/4X2
2-1/2"			SS5F1-14X2-1/2	SS5F1-1/4X2-1/2

ZINC							
Ø	1/4"	5/16"	3/8"	7/16"	1/2"	5/8"	3/4"
1/2"	SS5F1/4X1/2Z	SS5F5/16X1/2Z					
5/8"	SS5F1/4X5/8Z	SS5F5/16X5/8Z					
3/4"	SS5F1/4X3/4Z	SS5F5/16X3/4Z	SS5F3/8X3/4Z		SS5F1/2X3/4Z		
1"	SS5F1/4X1Z	SS5F5/16X1Z	SS5F3/8X1Z	SS5F7/16X1Z	SS5F1/2X1Z	SS5F5/8X1Z	
1-1/4"		SS5F5/16X1-1/4Z	SS5F3/8X1-1/4Z	SS5F7/16X1-1/4Z	SS5F1/2X1-1/4Z	SS5F5/8X1-1/4Z	
1-1/2"		SS5F5/16X1-1/2Z	SS5F3/8X1-1/2Z	SS5F7/16X1-1/2Z	SS5F1/2X1-1/2Z	SS5F5/8X1-1/2Z	SS5F3/4X1-1/2Z
1-3/4"		SS5F5/16X1-3/4Z	SS5F3/8X1-3/4Z			SS5F5/8X1-3/4Z	SS5F3/4X1-3/4Z
2"		SS5F5/16X2Z	SS5F3/8X2Z		SS5F1/2X2Z	SS5F5/8X2Z	SS5F3/4X2Z

BLACK				
Ø	1/4"	5/16"	3/8"	7/16"
1/2"	BN5F1/4X1/2	BN5F5/16X1/2		
5/8"	BN5F1/4X5/8	BN5F5/16X5/8		
3/4"	BN5F1/4X3/4	BN5F5/16X3/4	BN5F3/8X3/4	
1"	BN5F1/4X1	BN5F5/16X1	BN5F3/8X1	BN5F7/16X1
1-1/4"	BN5F1/4X1-1/4	BN5F5/16X1-1/4	BN5F3/8X1-1/4	BN5F7/16X1-1/4
1-1/2"	BN5F1/4X1-1/2	BN5F5/16X1-1/2	BN5F3/8X1-1/2	BN5F7/16X1-1/2
1-3/4"	BN5F1/4X1-3/4	BN5F5/16X1-3/4	BN5F3/8X1-3/4	BN5F7/16X1-3/4
2"	BN5F1/4X2	BN5F5/16X2	BN5F3/8X2	BN5F7/16X2
2-1/4"	BN5F1/4X2-1/4	BN5F5/16X2-1/4	BN5F3/8X2-1/4	BN5F7/16X2-1/4
2-1/2"	BN5F1/4X2-1/2	BN5F5/16X2-1/2	BN5F3/8X2-1/2	BN5F7/16X2-1/2
2-3/4"	BN5F1/4X2-3/4	BN5F5/16X2-3/4	BN5F3/8X2-3/4	BN5F7/16X2-3/4
3"	BN5F1/4X3	BN5F5/16X3	BN5F3/8X3	BN5F7/16X3
3-1/2"	BN5F1/4X3-1/2	BN5F5/16X3-1/2	BN5F3/8X3-1/2	BN5F7/16X3-1/2
4"	BN5F1/4X4	BN5F5/16X4	BN5F3/8X4	BN5F7/16X4
4-1/2"	BN5F1/4X4-1/2	BN5F5/16X4-1/2	BN5F3/8X4-1/2	BN5F7/16X4-1/2
5"	BN5F1/4X5	BN5F5/16X5	BN5F3/8X5	BN5F7/16X5
5-1/2"	BN5F1/4X5-1/2	BN5F5/16X5-1/2	BN5F3/8X5-1/2	BN5F7/16X5-1/2
6"	BN5F1/4X6	BN5F5/16X6	BN5F3/8X6	BN5F7/16X6

**A 1/4" DRIVE 38PC RATCHET & SOCKET SET**  
M-48229599

**DON'T FORGET TO ADD IT TO YOUR TOOL ORDER.**



ZINC				
Ø	1/4"	5/16"	3/8"	7/16"
1/2"	BN5F1/4X1/2Z	BN5F5/16X1/2Z		
5/8"	BN5F1/4X5/8Z	BN5F5/16X5/8Z		
3/4"	BN5F1/4X3/4Z	BN5F5/16X3/4Z	BN5F3/8X3/4Z	
1"	BN5F1/4X1Z	BN5F5/16X1Z	BN5F3/8X1Z	BN5F7/16X1Z
1-1/4"	BN5F1/4X1-1/4Z	BN5F5/16X1-1/4Z	BN5F3/8X1-1/4Z	BN5F7/16X1-1/4Z
1-1/2"	BN5F1/4X1-1/2Z	BN5F5/16X1-1/2Z	BN5F3/8X1-1/2Z	BN5F7/16X1-1/2Z
1-3/4"	BN5F1/4X1-3/4Z	BN5F5/16X1-3/4Z	BN5F3/8X1-3/4Z	BN5F7/16X1-3/4Z
2"	BN5F1/4X2Z	BN5F5/16X2Z	BN5F3/8X2Z	BN5F7/16X2Z
2-1/4"	BN5F1/4X2-1/4Z	BN5F5/16X2-1/4Z	BN5F3/8X2-1/4Z	BN5F7/16X2-1/4Z
2-1/2"	BN5F1/4X2-1/2Z	BN5F5/16X2-1/2Z	BN5F3/8X2-1/2Z	BN5F7/16X2-1/2Z
2-3/4"	BN5F1/4X2-3/4Z	BN5F5/16X2-3/4Z	BN5F3/8X2-3/4Z	BN5F7/16X2-3/4Z
3"	BN5F1/4X3Z	BN5F5/16X3Z	BN5F3/8X3Z	BN5F7/16X3Z
3-1/2"	BN5F1/4X3-1/2Z	BN5F5/16X3-1/2Z	BN5F3/8X3-1/2Z	BN5F7/16X3-1/2Z
4"	BN5F1/4X4Z	BN5F5/16X4Z	BN5F3/8X4Z	BN5F7/16X4Z
4-1/2"	BN5F1/4X4-1/2Z	BN5F5/16X4-1/2Z	BN5F3/8X4-1/2Z	BN5F7/16X4-1/2Z
5"	BN5F1/4X5Z	BN5F5/16X5Z	BN5F3/8X5Z	BN5F7/16X5Z
5-1/2"	BN5F1/4X5-1/2Z	BN5F5/16X5-1/2Z	BN5F3/8X5-1/2Z	BN5F7/16X5-1/2Z
6"	BN5F1/4X6Z	BN5F5/16X6Z	BN5F3/8X6Z	BN5F7/16X6Z

BLACK						
Ø	3/8"	1/2"	9/16"	5/8"	3/4"	7/8"
3/4"	SS8C3/8X3/4					
1"	SS8C3/8X1	SS8C1/2X1	SS8C9/16X1			
1-1/4"	SS8C3/8X1-1/4	SS8C1/2X1-1/4	SS8C9/16X1-1/4	SS8C5/8X1-1/4		
1-1/2"	SS8C3/8X1-1/2	SS8C1/2X1-1/2		SS8C5/8X1-1/2	SS8C3/4X1-1/2	
1-3/4"			SS8C9/16X1-3/4	SS8C5/8X1-3/4		
2"					SS8C3/4X2	SS8C7/8X2
2-1/4"						SS8C7/8X2-1/4
2-1/2"						SS8C7/8X2-1/2



BLACK					
Ø	1"	1-1/8"	1-1/4"	1-3/4"	2"
2"	SS8C1X2				
2-1/4"	SS8C1X2-1/4				
3"		SS8C1-1/8X3	SS8C1-1/4X3		
3-1/2"		SS8C1-1/8X3-1/2	SS8C1-1/4X3-1/2		
4"				SS8C1-3/4X4	SS8C2X4
5"				SS8C1-3/4X5	SS8C2X5



ZINC								
Ø	1/4"	5/16"	1/2"	9/16"	5/8"	3/4"	7/8"	1"
5/8"		SS8C5/16X5/8Z						
3/4"		SS8C5/16X3/4Z						
1"	SS8C1/4X1Z		SS8C1/2X1Z	SS8C9/16X1Z	SS8C5/8X1Z	SS8C3/4X1Z		
1-1/4"	SS8C1/4X1-1/4Z		SS8C1/2X1-1/4Z	SS8C9/16X1-1/4Z	SS8C5/8X1-1/4Z			
1-1/2"		SS8C5/16X1-1/2Z	SS8C1/2X1-1/2Z	SS8C9/16X1-1/2Z	SS8C5/8X1-1/2Z	SS8C3/4X1-1/2Z		
1-3/4"				SS8C9/16X1-3/4Z	SS8C5/8X1-3/4Z	SS8C3/4X1-3/4Z		
2"		SS8C5/16X2Z				SS8C3/4X2Z	SS8C7/8X2Z	SS8C1X2Z
2-1/4"								SS8C1X2-1/4Z
2-1/2"							SS8C7/8X2-1/2Z	







BLACK					
Ø	1/2"	9/16"	5/8"	3/4"	7/8"
1"	BN8C1/2X1	BN8C9/16X1	BN8C5/8X1		
1-1/4"	BN8C1/2X1-1/4	BN8C9/16X1-1/4	BN8C5/8X1-1/4		
1-1/2"	BN8C1/2X1-1/2	BN8C9/16X1-1/2	BN8C5/8X1-1/2	BN8C3/4X1-1/2	
1-3/4"	BN8C1/2X1-3/4	BN8C9/16X1-3/4	BN8C5/8X1-3/4	BN8C3/4X1-3/4	
2"	BN8C1/2X2	BN8C9/16X2	BN8C5/8X2	BN8C3/4X2	BN8C7/8X2
2-1/4"	BN8C1/2X2-1/4	BN8C9/16X2-1/4	BN8C5/8X2-1/4	BN8C3/4X2-1/4	BN8C7/8X2-1/4
2-1/2"	BN8C1/2X2-1/2	BN8C9/16X2-1/2	BN8C5/8X2-1/2	BN8C3/4X2-1/2	BN8C7/8X2-1/2
2-3/4"	BN8C1/2X2-3/4		BN8C5/8X2-3/4	BN8C3/4X2-3/4	
3"	BN8C1/2X3	BN8C9/16X3	BN8C5/8X3	BN8C3/4X3	BN8C7/8X3
3-1/4"	BN8C1/2X3-1/4				
3-1/2"	BN8C1/2X3-1/2	BN8C9/16X3-1/2	BN8C5/8X3-1/2	BN8C3/4X3-1/2	BN8C7/8X3-1/2
4"	BN8C1/2X4	BN8C9/16X4	BN8C5/8X4	BN8C3/4X4	BN8C7/8X4
4-1/2"	BN8C1/2X4-1/2	BN8C9/16X4-1/2	BN8C5/8X4-1/2	BN8C3/4X4-1/2	BN8C7/8X4-1/2
5"	BN8C1/2X5	BN8C9/16X5	BN8C5/8X5	BN8C3/4X5	BN8C7/8X5
5-1/2"	BN8C1/2X5-1/2	BN8C9/16X5-1/2	BN8C5/8X5-1/2	BN8C3/4X5-1/2	BN8C7/8X5-1/2
6"	BN8C1/2X6		BN8C5/8X6	BN8C3/4X6	BN8C7/8X6
6-1/2"	BN8C1/2X6-1/2		BN8C5/8X6-1/2	BN8C3/4X6-1/2	BN8C7/8X6-1/2
7"	BN8C1/2X7		BN8C5/8X7	BN8C3/4X7	BN8C7/8X7
8"	BN8C1/2X8		BN8C5/8X8	BN8C3/4X8	BN8C7/8X8
9"	BN8C1/2X9		BN8C5/8X9	BN8C3/4X9	BN8C7/8X9
10"			BN8C5/8X10	BN8C3/4X10	BN8C7/8X10
16"			BN8C5/8X16	BN8C3/4X16	BN8C7/8X16

BLACK						
Ø	1"	1-1/8"	1-1/4"	1-1/2"	1-3/4"	2"
2"	BN8C1X2					
2-1/4"	BN8C1X2-1/4					
2-1/2"	BN8C1X2-1/2					
3"	BN8C1X3	BN8C1-1/8X3	BN8C1-1/4X3	BN8C1-1/2X3		
3-1/2"	BN8C1X3-1/2	BN8C1-1/8X3-1/2	BN8C1-1/4X3-1/2			
4"	BN8C1X4	BN8C1-1/8X4	BN8C1-1/4X4	BN8C1-1/2X4	BN8C1-3/4X4	BN8C2X4
4-1/2"	BN8C1X4-1/2	BN8C1-1/8X4-1/2	BN8C1-1/4X4-1/2			
5"	BN8C1X5	BN8C1-1/8X5	BN8C1-1/4X5	BN8C1-1/2X5	BN8C1-3/4X5	BN8C2X5
5-1/2"	BN8C1X5-1/2	BN8C1-1/8X5-1/2	BN8C1-1/4X5-1/2			
6"	BN8C1X6	BN8C1-1/8X6	BN8C1-1/4X6	BN8C1-1/2X6	BN8C1-3/4X6	BN8C2X6
6-1/2"	BN8C1X6-1/2	BN8C1-1/8X6-1/2				
7"	BN8C1X7	BN8C1-1/8X7	BN8C1-1/4X7	BN8C1-1/2X7	BN8C1-3/4X7	BN8C2X7
8"	BN8C1X8	BN8C1-1/8X8	BN8C1-1/4X8	BN8C1-1/2X8	BN8C1-3/4X8	BN8C2X8
9"	BN8C1X9	BN8C1-1/8X9	BN8C1-1/4X9	BN8C1-1/2X9	BN8C1-3/4X9	BN8C2X9
10"	BN8C1X10	BN8C1-1/8X10	BN8C1-1/4X10	BN8C1-1/2X10	BN8C1-3/4X10	BN8C2X10
12"						BN8C2X12
15"						BN8C2X15
16"	BN8C1X16	BN8C1-1/8X16	BN8C1-1/4X16	BN8C1-1/2X16		

## 15PC RATCHETING COMBINATION WRENCH SET - METRIC - IMPERIAL

M-48229516

M-48229416





ZINC						
Ø	1/2"	9/16"	5/8"	3/4"	7/8"	1"
1"	BN8C1/2X1Z	BN8C9/16X1Z	BN8C5/8X1Z			
1-1/4"	BN8C1/2X1-1/4Z	BN8C9/16X1-1/4Z	BN8C5/8X1-1/4Z			
1-1/2"	BN8C1/2X1-1/2Z	BN8C9/16X1-1/2Z	BN8C5/8X1-1/2Z	BN8C3/4X1-1/2Z		
1-3/4"	BN8C1/2X1-3/4Z	BN8C9/16X1-3/4Z	BN8C5/8X1-3/4Z	BN8C3/4X1-3/4Z		
2"	BN8C1/2X2Z	BN8C9/16X2Z	BN8C5/8X2Z	BN8C3/4X2Z	BN8C7/8X2Z	BN8C1X2Z
2-1/4"	BN8C1/2X2-1/4Z	BN8C9/16X2-1/4Z	BN8C5/8X2-1/4Z	BN8C3/4X2-1/4Z	BN8C7/8X2-1/4Z	BN8C1X2-1/4Z
2-1/2"	BN8C1/2X2-1/2Z	BN8C9/16X2-1/2Z	BN8C5/8X2-1/2Z	BN8C3/4X2-1/2Z	BN8C7/8X2-1/2Z	BN8C1X2-1/2Z
2-3/4"	BN8C1/2X2-3/4Z		BN8C5/8X2-3/4Z	BN8C3/4X2-3/4Z		
3"	BN8C1/2X3Z	BN8C9/16X3Z	BN8C5/8X3Z	BN8C3/4X3Z	BN8C7/8X3Z	BN8C1X3Z
3-1/4"	BN8C1/2X3-1/4Z					
3-1/2"	BN8C1/2X3-1/2Z	BN8C9/16X3-1/2Z	BN8C5/8X3-1/2Z	BN8C3/4X3-1/2Z	BN8C7/8X3-1/2Z	BN8C1X3-1/2Z
3-3/4"	BN8C1/2X3-3/4Z					
4"	BN8C1/2X4Z	BN8C9/16X4Z	BN8C5/8X4Z	BN8C3/4X4Z	BN8C7/8X4Z	BN8C1X4Z
4-1/2"	BN8C1/2X4-1/2Z	BN8C9/16X4-1/2Z	BN8C5/8X4-1/2Z	BN8C3/4X4-1/2Z	BN8C7/8X4-1/2Z	BN8C1X4-1/2Z
5"	BN8C1/2X5Z	BN8C9/16X5Z	BN8C5/8X5Z	BN8C3/4X5Z	BN8C7/8X5Z	BN8C1X5Z
5-1/2"	BN8C1/2X5-1/2Z	BN8C9/16X5-1/2Z	BN8C5/8X5-1/2Z	BN8C3/4X5-1/2Z	BN8C7/8X5-1/2Z	BN8C1X5-1/2Z
6"	BN8C1/2X6Z	BN8C9/16X6Z	BN8C5/8X6Z	BN8C3/4X6Z	BN8C7/8X6Z	BN8C1X6Z
6-1/2"	BN8C1/2X6-1/2Z		BN8C5/8X6-1/2Z	BN8C3/4X6-1/2Z	BN8C7/8X6-1/2Z	BN8C1X6-1/2Z
7"	BN8C1/2X7Z		BN8C5/8X7Z	BN8C3/4X7Z	BN8C7/8X7Z	BN8C1X7Z
8"	BN8C1/2X8Z		BN8C5/8X8Z	BN8C3/4X8Z	BN8C7/8X8Z	BN8C1X8Z
9"	BN8C1/2X9Z		BN8C5/8X9Z	BN8C3/4X9Z	BN8C7/8X9Z	BN8C1X9Z
10"	BN8C1/2X10Z		BN8C5/8X10Z	BN8C3/4X10Z	BN8C7/8X10Z	BN8C1X10Z

BLACK						
Ø	1/2"	9/16"	5/8"	7/8"	1" 12 TPI	1" 14 TPI
1"	SS8F1/2X1	SS8F9/16X1				
1-1/4"	SS8F1/2X1-1/4	SS8F9/16X1-1/4				
1-1/2"	SS8F1/2X1-1/2		SS8F5/8X1-1/2			
1-3/4"	SS8F1/2X1-3/4		SS8F5/8X1-3/4			
2"			SS8F5/8X2	SS8F7/8X2		SS8F1-14X2
2-1/4"				SS8F7/8X2-1/4		SS8F1-14X2-1/4
2-1/2"				SS8F7/8X2-1/2	SS8F1-12X2-1/2	

BLACK			
Ø	1-1/8"	1-1/4"	1-1/2"
3"	SS8F1-1/8X3	SS8F1-1/4X3	SS8F1-1/2X3
3-1/2"	SS8F1-1/8X3-1/2	SS8F1-1/4X3-1/2	
4"			SS8F1-1/2X4

ZINC						
Ø	1/2"	9/16"	3/4"	7/8"	1" 12 TPI	1" 14 TPI
1"	SS8F1/2X1Z	SS8F9/16X1Z				
1-1/4"	SS8F1/2X1-1/4Z	SS8F9/16X1-1/4Z				
1-1/2"		SS8F9/16X1-1/2Z	SS8F3/4X1-1/2Z			
2"			SS8F3/4X2Z	SS8F7/8X2Z	SS8F1-12X2Z	SS8F1-14X2Z
2-1/4"				SS8F7/8X2-1/4Z	SS8F1-12X2-1/2Z	SS8F1-14X2-1/4Z
2-1/2"				SS8F7/8X2-1/2Z		SS8F1-14X2-1/2Z







BLACK					
Ø	1/2"	9/16"	5/8"	3/4"	7/8"
1"	BN8F1/2X1	BN8F9/16X1	BN8F5/8X1		
1-1/4"	BN8F1/2X1-1/4	BN8F9/16X1-1/4	BN8F5/8X1-1/4		
1-1/2"	BN8F1/2X1-1/2	BN8F9/16X1-1/2	BN8F5/8X1-1/2	BN8F3/4X1-1/2	
1-3/4"	BN8F1/2X1-3/4	BN8F9/16X1-3/4	BN8F5/8X1-3/4	BN8F3/4X1-3/4	
2"	BN8F1/2X2	BN8F9/16X2	BN8F5/8X2	BN8F3/4X2	BN8F7/8X2
2-1/4"	BN8F1/2X2-1/4	BN8F9/16X2-1/4	BN8F5/8X2-1/4	BN8F3/4X2-1/4	BN8F7/8X2-1/4
2-1/2"	BN8F1/2X2-1/2	BN8F9/16X2-1/2	BN8F5/8X2-1/2	BN8F3/4X2-1/2	BN8F7/8X2-1/2
2-3/4"	BN8F1/2X2-3/4		BN8F5/8X2-3/4	BN8F3/4X2-3/4	
3"	BN8F1/2X3	BN8F9/16X3	BN8F5/8X3	BN8F3/4X3	BN8F7/8X3
3-1/4"				BN8F3/4X3-1/4	
3-1/2"	BN8F1/2X3-1/2	BN8F9/16X3-1/2	BN8F5/8X3-1/2	BN8F3/4X3-1/2	BN8F7/8X3-1/2
4"	BN8F1/2X4	BN8F9/16X4	BN8F5/8X4	BN8F3/4X4	BN8F7/8X4
4-1/2"	BN8F1/2X4-1/2	BN8F9/16X4-1/2	BN8F5/8X4-1/2	BN8F3/4X4-1/2	BN8F7/8X4-1/2
5"	BN8F1/2X5	BN8F9/16X5	BN8F5/8X5	BN8F3/4X5	BN8F7/8X5
5-1/2"	BN8F1/2X5-1/2	BN8F9/16X5-1/2	BN8F5/8X5-1/2	BN8F3/4X5-1/2	BN8F7/8X5-1/2
6"	BN8F1/2X6	BN8F9/16X6	BN8F5/8X6	BN8F3/4X6	BN8F7/8X6
6-1/2"	BN8F1/2X6-1/2		BN8F5/8X6-1/2	BN8F3/4X6-1/2	BN8F7/8X6-1/2
7"	BN8F1/2X7		BN8F5/8X7	BN8F3/4X7	BN8F7/8X7
8"	BN8F1/2X8		BN8F5/8X8	BN8F3/4X8	BN8F7/8X8
9"	BN8F1/2X9		BN8F5/8X9	BN8F3/4X9	BN8F7/8X9
10"	BN8F1/2X10		BN8F5/8X10	BN8F3/4X10	BN8F7/8X10
16"			BN8F5/8X16	BN8F3/4X16	BN8F7/8X16

BLACK					
Ø	1" 12 TPI	1" 14 TPI	1-1/8"	1-1/4"	1-1/2"
2"	BN8F1-12X2	BN8F1-14X2		BN8F1-1/4X2	
2-1/4"		BN8F1-14X2-1/4			
2-1/2"	BN8F1-12X2-1/2	BN8F1-14X2-1/2		BN8F1-1/4X2-1/2	BN8F1-1/2X2-1/2
3"	BN8F1-12X3	BN8F1-14X3	BN8F1-1/8X3	BN8F1-1/4X3	BN8F1-1/2X3
3-1/2"	BN8F1-12X3-1/2	BN8F1-14X3-1/2	BN8F1-1/8X3-1/2	BN8F1-1/4X3-1/2	BN8F1-1/2X3-1/2
4"	BN8F1-12X4	BN8F1-14X4	BN8F1-1/8X4	BN8F1-1/4X4	BN8F1-1/2X4
4-1/2"	BN8F1-12X4-1/2	BN8F1-14X4-1/2	BN8F1-1/8X4-1/2	BN8F1-1/4X4-1/2	
5"	BN8F1-12X5	BN8F1-14X5	BN8F1-1/8X5	BN8F1-1/4X5	BN8F1-1/2X5
5-1/2"	BN8F1-12X5-1/2	BN8F1-14X5-1/2	BN8F1-1/8X5-1/2	BN8F1-1/4X5-1/2	
6"	BN8F1-12X6	BN8F1-14X6	BN8F1-1/8X6	BN8F1-1/4X6	BN8F1-1/2X6
6-1/2"	BN8F1-12X6-1/2	BN8F1-14X6-1/2	BN8F1-1/8X6-1/2	BN8F1-1/4X6-1/2	
7"	BN8F1-12X7	BN8F1-14X7	BN8F1-1/8X7	BN8F1-1/4X7	BN8F1-1/2X7
8"	BN8F1-12X8	BN8F1-14X8	BN8F1-1/8X8	BN8F1-1/4X8	BN8F1-1/2X8
9"	BN8F1-12X9	BN8F1-14X9	BN8F1-1/8X9	BN8F1-1/4X9	BN8F1-1/2X9
10"	BN8F1-12X10	BN8F1-14X10	BN8F1-1/8X10	BN8F1-1/4X10	BN8F1-1/2X10
16"		BN8F1-14X16			

**FDG** "THE *RIGHT PRODUCT*,  
AT THE *RIGHT TIME*,  
AT A *FAIR PRICE*"

[www.fdgncz.com](http://www.fdgncz.com)



ZINC				
Ø	1/2"	9/16"	5/8"	3/4"
1"	BN8F1/2X1Z	BN8F9/16X1Z	BN8F5/8X1Z	
1-1/4"	BN8F1/2X1-1/4Z	BN8F9/16X1-1/4Z	BN8F5/8X1-1/4Z	
1-1/2"	BN8F1/2X1-1/2Z	BN8F9/16X1-1/2Z	BN8F5/8X1-1/2Z	BN8F3/4X1-1/2Z
1-3/4"	BN8F1/2X1-3/4Z	BN8F9/16X1-3/4Z	BN8F5/8X1-3/4Z	BN8F3/4X1-3/4Z
2"	BN8F1/2X2Z	BN8F9/16X2Z	BN8F5/8X2Z	BN8F3/4X2Z
2-1/4"	BN8F1/2X2-1/4Z	BN8F9/16X2-1/4Z	BN8F5/8X2-1/4Z	BN8F3/4X2-1/4Z
2-1/2"	BN8F1/2X2-1/2Z	BN8F9/16X2-1/2Z	BN8F5/8X2-1/2Z	BN8F3/4X2-1/2Z
2-3/4"	BN8F1/2X2-3/4Z		BN8F5/8X2-3/4Z	BN8F3/4X2-3/4Z
3"	BN8F1/2X3Z	BN8F9/16X3Z	BN8F5/8X3Z	BN8F3/4X3Z
3-1/2"	BN8F1/2X3-1/2Z	BN8F9/16X3-1/2Z	BN8F5/8X3-1/2Z	BN8F3/4X3-1/2Z
4"	BN8F1/2X4Z	BN8F9/16X4Z	BN8F5/8X4Z	BN8F3/4X4Z
4-1/2"	BN8F1/2X4-1/2Z	BN8F9/16X4-1/2Z	BN8F5/8X4-1/2Z	BN8F3/4X4-1/2Z
5"	BN8F1/2X5Z	BN8F9/16X5Z	BN8F5/8X5Z	BN8F3/4X5Z
5-1/2"	BN8F1/2X5-1/2Z	BN8F9/16X5-1/2Z	BN8F5/8X5-1/2Z	BN8F3/4X5-1/2Z
6"	BN8F1/2X6Z	BN8F9/16X6Z	BN8F5/8X6Z	BN8F3/4X6Z
6-1/2"	BN8F1/2X6-1/2Z		BN8F5/8X6-1/2Z	BN8F3/4X6-1/2Z
7"	BN8F1/2X7Z		BN8F5/8X7Z	BN8F3/4X7Z
8"	BN8F1/2X8Z		BN8F5/8X8Z	BN8F3/4X8Z
9"			BN8F5/8X9Z	BN8F3/4X9Z
10"	BN8F1/2X10Z		BN8F5/8X10Z	BN8F3/4X10Z

ZINC				
Ø	7/8"	1" 12 TPI	1" 14 TPI	1-1/4"
2"	BN8F7/8X2Z	BN8F1-12X2Z	BN8F1-14X2Z	BN8F1-1/4X2Z
2-1/4"	BN8F7/8X2-1/4Z		BN8F1-14X2-1/4Z	
2-1/2"	BN8F7/8X2-1/2Z	BN8F1-12X2-1/2Z	BN8F1-14X2-1/2Z	BN8F1-1/4X2-1/2Z
3"	BN8F7/8X3Z	BN8F1-12X3Z	BN8F1-14X3Z	BN8F1-1/4X3Z
3-1/2"	BN8F7/8X3-1/2Z	BN8F1-12X3-1/2Z	BN8F1-14X3-1/2Z	BN8F1-1/4X3-1/2Z
4"	BN8F7/8X4Z	BN8F1-12X4Z	BN8F1-14X4Z	BN8F1-1/4X4Z
4-1/2"	BN8F7/8X4-1/2Z	BN8F1-12X4-1/2Z	BN8F1-14X4-1/2Z	BN8F1-1/4X4-1/2Z
5"	BN8F7/8X5Z	BN8F1-12X5Z	BN8F1-14X5Z	BN8F1-1/4X5Z
5-1/2"	BN8F7/8X5-1/2Z	BN8F1-12X5-1/2Z	BN8F1-14X5-1/2Z	BN8F1-1/4X5-1/2Z
6"	BN8F7/8X6Z	BN8F1-12X6Z	BN8F1-14X6Z	BN8F1-1/4X6Z
6-1/2"	BN8F7/8X6-1/2Z	BN8F1-12X6-1/2Z	BN8F1-14X6-1/2Z	BN8F1-1/4X6-1/2Z
7"	BN8F7/8X7Z	BN8F1-12X7Z	BN8F1-14X7Z	BN8F1-1/4X7Z
8"	BN8F7/8X8Z	BN8F1-12X8Z	BN8F1-14X8Z	BN8F1-1/4X8Z
9"	BN8F7/8X9Z	BN8F1-12X9Z	BN8F1-14X9Z	BN8F1-1/4X9Z
10"	BN8F7/8X10Z	BN8F1-12X10Z	BN8F1-14X10Z	BN8F1-1/4X10Z





304 STAINLESS								
Ø	1/4"	5/16"	3/8"	7/16"	1/2"	5/8"	3/4"	7/8"
1/2"	SSC1/4X1/2A2	SSC5/16X1/2A2	SSC3/8X1/2A2					
3/4"	SSC1/4X3/4A2	SSC5/16X3/4A2	SSC3/8X3/4A2					
1"	SSC1/4X1A2	SSC5/16X1A2	SSC3/8X1A2	SSC7/16X1A2	SSC1/2X1A2	SSC5/8X1A2		
1-1/4"		SSC5/16X1-1/4A2	SSC3/8X1-1/4A2	SSC7/16X1-1/4A2	SSC1/2X1-1/4A2	SSC5/8X1-1/4A2		
1-1/2"	SSC1/4X1-1/2A2		SSC3/8X1-1/2A2	SSC7/16X1-1/2A2	SSC1/2X1-1/2A2	SSC5/8X1-1/2A2	SSC3/4X1-1/2A2	
1-3/4"					SSC1/2X1-3/4A2	SSC5/8X1-3/4A2	SSC3/4X1-3/4A2	
2"		SSC5/16X2A2	SSC3/8X2A2			SSC5/8X2A2	SSC3/4X2A2	SSC7/8X2A2
2-1/2"							SSC3/4X2-1/2A2	SSC7/8X2-1/2A2
3"				SSC7/16X3A2				
4"	SSC1/4X4A2				SSC1/2X4A2	SSC5/8X4A2		SSC7/8X4A2

316 STAINLESS								
Ø	3/16"	1/4"	5/16"	3/8"	7/16"	1/2"	5/8"	3/4"
1/2"	SSC3/16X1/2A4	SSC1/4X1/2A4	SSC5/16X1/2A4	SSC3/8X1/2A4				
3/4"	SSC3/16X3/4A4	SSC1/4X3/4A4	SSC5/16X3/4A4	SSC3/8X3/4A4		SSC1/2X3/4A4		
1"	SSC3/16X1A4	SSC1/4X1A4	SSC5/16X1A4	SSC3/8X1A4	SSC7/16X1A4	SSC1/2X1A4	SSC5/8X1A4	
1-1/4"	SSC3/16X1-1/4A4		SSC5/16X1-1/4A4	SSC3/8X1-1/4A4	SSC7/16X1-1/4A4	SSC1/2X1-1/4A4	SSC5/8X1-1/4A4	
1-1/2"	SSC3/16X1-1/2A4	SSC1/4X1-1/2A4	SSC5/16X1-1/2A4	SSC3/8X1-1/2A4	SSC7/16X1-1/2A4	SSC1/2X1-1/2A4	SSC5/8X1-1/2A4	SSC3/4X1-1/2A4
1-3/4"						SSC1/2X1-3/4A4	SSC5/8X1-3/4A4	SSC3/4X1-3/4A4
2"	SSC3/16X2A4		SSC5/16X2A4	SSC3/8X2A4		SSC1/2X2A4	SSC5/8X2A4	SSC3/4X2A4
2-1/2"							SSC5/8X2-1/2A4	SSC3/4X2-1/2A4
4"						SSC1/2X4A4	SSC5/8X4A4	SSC3/4X4A4

316 STAINLESS		
Ø	7/8"	1"
2"	SSC7/8X2A4	SSC1X2A4
2-1/2"	SSC7/8X2-1/2A4	SSC1X2-1/2A4
3"		SSC1X3A4
4"	SSC7/8X4A4	SSC1X4A4

304 STAINLESS BSW	
Ø	1/2"
1"	SSW1/2X1A2
2"	BOW1/2X2A2
2-1/2"	BOW1/2X2-1/2A2
3"	BOW1/2X3A2
4-1/2"	BOW1/2X4-1/2A2
5"	BOW1/2X5A2
6"	BOW1/2X6A2

304 STAINLESS					
Ø	1/4"	5/16"	3/8"	7/16"	1/2"
1-1/4"	BOC1/4X1-1/4A2				
1-1/2"	BOC1/4X1-1/2A2	BOC5/16X1-1/2A2	BOC3/8X1-1/2A2		
1-3/4"	BOC1/4X1-3/4A2	BOC5/16X1-3/4A2	BOC3/8X1-3/4A2		
2"	BOC1/4X2A2	BOC5/16X2A2	BOC3/8X2A2	BOC7/16X2A2	BOC1/2X2A2
2-1/4"	BOC1/4X2-1/4A2	BOC5/16X2-1/4A2	BOC3/8X2-1/4A2		
2-1/2"	BOC1/4X2-1/2A2	BOC5/16X2-1/2A2	BOC3/8X2-1/2A2	BOC7/16X2-1/2A2	BOC1/2X2-1/2A2
2-3/4"	BOC1/4X2-3/4A2	BOC5/16X2-3/4A2	BOC3/8X2-3/4A2		
3"	BOC1/4X3A2	BOC5/16X3A2	BOC3/8X3A2	BOC7/16X3A2	BOC1/2X3A2
3-1/2"	BOC1/4X3-1/2A2	BOC5/16X3-1/2A2	BOC3/8X3-1/2A2	BOC7/16X3-1/2A2	BOC1/2X3-1/2A2
4"	BOC1/4X4A2	BOC5/16X4A2	BOC3/8X4A2	BOC7/16X4A2	BOC1/2X4A2
4-1/2"			BOC3/8X4-1/2A2		BOC1/2X4-1/2A2
5"			BOC3/8X5A2		BOC1/2X5A2
5-1/2"			BOC3/8X5-1/2A2		BOC1/2X5-1/2A2
6"			BOC3/8X6A2		BOC1/2X6A2

304 STAINLESS				
Ø	5/8"	3/4"	7/8"	1"
2-1/4"	BOC5/8X2-1/4A2			
2-1/2"	BOC5/8X2-1/2A2			
2-3/4"	BOC5/8X2-3/4A2			
3"	BOC5/8X3A2	BOC3/4X3A2	BOC7/8X3A2	
3-1/2"	BOC5/8X3-1/2A2	BOC3/4X3-1/2A2	BOC7/8X3-1/2A2	BOC1X3-1/2A2
4"	BOC5/8X4A2	BOC3/4X4A2	BOC7/8X4A2	BOC1X4A2
4-1/2"	BOC5/8X4-1/2A2	BOC3/4X4-1/2A2	BOC7/8X4-1/2A2	BOC1X4-1/2A2
5"	BOC5/8X5A2	BOC3/4X5A2	BOC7/8X5A2	BOC1X5A2
5-1/2"	BOC5/8X5-1/2A2			
6"	BOC5/8X6A2	BOC3/4X6A2	BOC7/8X6A2	BOC1X6A2
7"		BOC3/4X7A2	BOC7/8X7A2	BOC1X7A2
8"				BOC1X8A2



316 STAINLESS					
Ø	1/4"	5/16"	3/8"	7/16"	1/2"
1-1/4"	BOC1/4X1-1/4A4				
1-1/2"	BOC1/4X1-1/2A4	BOC5/16X1-1/2A4	BOC3/8X1-1/2A4		
1-3/4"	BOC1/4X1-3/4A4	BOC5/16X1-3/4A4	BOC3/8X1-3/4A4		
2"	BOC1/4X2A4	BOC5/16X2A4	BOC3/8X2A4	BOC7/16X2A4	BOC1/2X2A4
2-1/4"	BOC1/4X2-1/4A4	BOC5/16X2-1/4A4	BOC3/8X2-1/4A4		
2-1/2"	BOC1/4X2-1/2A4	BOC5/16X2-1/2A4	BOC3/8X2-1/2A4	BOC7/16X2-1/2A4	BOC1/2X2-1/2A4
2-3/4"	BOC1/4X2-3/4A4	BOC5/16X2-3/4A4	BOC3/8X2-3/4A4		
3"	BOC1/4X3A4	BOC5/16X3A4	BOC3/8X3A4	BOC7/16X3A4	BOC1/2X3A4
3-1/2"	BOC1/4X3-1/2A4	BOC5/16X3-1/2A4	BOC3/8X3-1/2A4	BOC7/16X3-1/2A4	BOC1/2X3-1/2A4
4"	BOC1/4X4A4	BOC5/16X4A4	BOC3/8X4A4	BOC7/16X4A4	BOC1/2X4A4
4-1/2"			BOC3/8X4-1/2A4		BOC1/2X4-1/2A4
5"			BOC3/8X5A4		BOC1/2X5A4
5-1/2"			BOC3/8X5-1/2A4		BOC1/2X5-1/2A4
6"			BOC3/8X6A4		BOC1/2X6A4

316 STAINLESS				
Ø	5/8"	3/4"	7/8"	1"
2-1/4"	BOC5/8X2-1/4A4			
2-1/2"	BOC5/8X2-1/2A4			
2-3/4"	BOC5/8X2-3/4A4			
3"	BOC5/8X3A4	BOC3/4X3A4	BOC7/8X3A4	
3-1/2"	BOC5/8X3-1/2A4	BOC3/4X3-1/2A4	BOC7/8X3-1/2A4	BOC1X3-1/2A4
4"	BOC5/8X4A4	BOC3/4X4A4	BOC7/8X4A4	BOC1X4A4
4-1/2"	BOC5/8X4-1/2A4	BOC3/4X4-1/2A4	BOC7/8X4-1/2A4	BOC1X4-1/2A4
5"	BOC5/8X5A4	BOC3/4X5A4	BOC7/8X5A4	BOC1X5A4
5-1/2"	BOC5/8X5-1/2A4			
6"	BOC5/8X6A4	BOC3/4X6A4	BOC7/8X6A4	BOC1X6A4
7"		BOC3/4X7A4	BOC7/8X7A4	BOC1X7A4
8"				BOC1X8A4

304 STAINLESS							
Ø	1/4"	5/16"	3/8"	7/16"	1/2"	5/8"	3/4"
1/2"	SSF1/4X1/2A2						
3/4"	SSF1/4X3/4A2	SSF5/16X3/4A2	SSF3/8X3/4A2				
1"	SSF1/4X1A2	SSF5/16X1A2	SSF3/8X1A2	SSF7/16X1A2	SSF1/2X1A2	SSF5/8X1A2	
1-1/4"		SSF5/16X1-1/4A2	SSF3/8X1-1/4A2	SSF7/16X1-1/4A2	SSF1/2X1-1/4A2		
1-1/2"				SSF7/16X1-1/2A2	SSF1/2X1-1/2A2	SSF5/8X1-1/2A2	SSF3/4X1-1/2A2
1-3/4"					SSF1/2X1-3/4A2		
2"						SSF5/8X2A2	SSF3/4X2A2
2-1/2"							SSF3/4X2-1/2A2

316 STAINLESS					
Ø	3/16"	5/16"	3/8"	7/16"	1/2"
1/2"	SSF1/4X1/2A4				
3/4"	SSF1/4X3/4A4	SSF5/16X3/4A4			
1"	SSF1/4X1A4	SSF5/16X1A4	SSF3/8X1A4	SSF7/16X1A4	SSF1/2X1A4
1-1/4"		SSF5/16X1-1/4A4	SSF3/8X1-1/4A4	SSF7/16X1-1/4A4	SSF1/2X1-1/4A4
1-1/2"		SSF5/16X1-1/2A4	SSF3/8X1-1/2A4	SSF7/16X1-1/2A4	SSF1/2X1-1/2A4



**IS THERE SOMETHING ELSE YOU ARE LOOKING FOR?**

**GIVE OUR FRIENDLY TEAM A CALL 0800 555 464**





304 STAINLESS							
Ø	1/4"	5/16"	3/8"	7/16"	1/2"	5/8"	3/4"
1-1/4"	BOF1/4X1-1/4A2						
1-1/2"	BOF1/4X1-1/2A2	BOF5/16X1-1/2A2	BOF3/8X1-1/2A2				
1-3/4"		BOF5/16X1-3/4A2	BOF3/8X1-3/4A2				
2"	BOF1/4X2A2	BOF5/16X2A2	BOF3/8X2A2	BOF7/16X2A2	BOF1/2X2A2		
2-1/4"	BOF1/4X2-1/4A2	BOF5/16X2-1/4A2	BOF3/8X2-1/4A2			BOF5/8X2-1/4A2	
2-1/2"	BOF1/4X2-1/2A2	BOF5/16X2-1/2A2	BOF3/8X2-1/2A2	BOF7/16X2-1/2A2	BOF1/2X2-1/2A2	BOF5/8X2-1/2A2	
2-3/4"			BOF3/8X2-3/4A2			BOF5/8X2-3/4A2	
3"	BOF1/4X3A2	BOF5/16X3A2	BOF3/8X3A2	BOF7/16X3A2	BOF1/2X3A2	BOF5/8X3A2	BOF3/4X3A2
3-1/2"	BOF1/4X3-1/2A2	BOF5/16X3-1/2A2	BOF3/8X3-1/2A2		BOF1/2X3-1/2A2	BOF5/8X3-1/2A2	BOF3/4X3-1/2A2
4"	BOF1/4X4A2	BOF5/16X4A2	BOF3/8X4A2	BOF7/16X4A2	BOF1/2X4A2	BOF5/8X4A2	BOF3/4X4A2
4-1/2"			BOF3/8X4-1/2A2		BOF1/2X4-1/2A2	BOF5/8X4-1/2A2	BOF3/4X4-1/2A2
5"			BOF3/8X5A2		BOF1/2X5A2	BOF5/8X5A2	BOF3/4X5A2
6"			BOF3/8X6A2			BOF5/8X6A2	BOF3/4X6A2

316 STAINLESS				
Ø	1/4"	5/16"	3/8"	1/2"
1-1/4"	BOF1/4X1-1/4A4			
1-1/2"	BOF1/4X1-1/2A4	BOF5/16X1-1/2A4		
1-3/4"			BOF3/8X1-3/4A4	
2"	BOF1/4X2A4	BOF5/16X2A4	BOF3/8X2A4	BOF1/2X2A4
2-1/2"	BOF1/4X2-1/2A4	BOF5/16X2-1/2A4	BOF3/8X2-1/2A4	BOF1/2X2-1/2A4
3"	BOF1/4X3A4	BOF5/16X3A4	BOF3/8X3A4	BOF1/2X3A4
3-1/2"			BOF3/8X3-1/2A4	BOF1/2X3-1/2A4
4"		BOF5/16X4A4	BOF3/8X4A4	BOF1/2X4A4

GALVANIZED					
Ø	M12	M16	M20	M22	M24
30mm	BNHSA12X30G				
35mm	BNHSA12X35G				
40mm	BNHSA12X40G	BNHSA16X40G	BNHSA20X40G		
45mm	BNHSA12X45G	BNHSA16X45G	BNHSA20X45G		
50mm	BNHSA12X50G	BNHSA16X50G	BNHSA20X50G		BNHSA24X50G
55mm		BNHSA16X55G	BNHSA20X55G		BNHSA24X55G
60mm	BNHSA12X60G	BNHSA16X60G	BNHSA20X60G	BNHSA22X60G	BNHSA24X60G
65mm	BNHSA12X65G	BNHSA16X65G	BNHSA20X65G	BNHSA22X65G	BNHSA24X65G
70mm	BNHSA12X70G	BNHSA16X70G	BNHSA20X70G	BNHSA22X70G	BNHSA24X70G
75mm	BNHSA12X75G	BNHSA16X75G	BNHSA20X75G	BNHSA22X75G	BNHSA24X75G
80mm	BNHSA12X80G	BNHSA16X80G	BNHSA20X80G		BNHSA24X80G
85mm			BNHSA20X85G		BNHSA24X85G
90mm	BNHSA12X90G	BNHSA16X90G	BNHSA20X90G	BNHSA22X90G	BNHSA24X90G
100mm	BNHSA12X100G	BNHSA16X100G	BNHSA20X100G	BNHSA22X100G	BNHSA24X100G
110mm		BNHSA16X110G	BNHSA20X110G		BNHSA24X110G
120mm	BNHSA12X120G	BNHSA16X120G	BNHSA20X120G		BNHSA24X120G
130mm	BNHSA12X130G	BNHSA16X130G	BNHSA20X130G	BNHSA22X130G	BNHSA24X130G
140mm		BNHSA16X140G	BNHSA20X140G		BNHSA24X140G
150mm	BNHSA12X150G	BNHSA16X150G	BNHSA20X150G	BNHSA22X150G	BNHSA24X150G
160mm		BNHSA16X160G	BNHSA20X160G	BNHSA22X160G	BNHSA24X160G
170mm		BNHSA16X170G			BNHSA24X170G
180mm	BNHSA12X180G	BNHSA16X180G	BNHSA20X180G	BNHSA22X180G	BNHSA24X180G
190mm		BNHSA16X190G	BNHSA20X190G		
200mm	BNHSA12X200G	BNHSA16X200G	BNHSA20X200G	BNHSA22X200G	BNHSA24X200G
210mm			BNHSA20X210G		BNHSA24X210G
220mm	BNHSA12X225G	BNHSA16X220G	BNHSA20X220G		BNHSA24X220G
230mm					BNHSA24X230G
240mm		BNHSA16X240G	BNHSA20X240G		BNHSA24X240G
250mm		BNHSA16X250G	BNHSA20X250G		BNHSA24X250G
260mm		BNHSA16X260G	BNHSA20X260G		BNHSA24X260G
270mm		BNHSA16X270G	BNHSA20X270G		
275mm			BNHSA20X275G		
280mm		BNHSA16X280G	BNHSA20X280G		BNHSA24X280G
300mm		BNHSA16X300G	BNHSA20X300G		BNHSA24X300G
325mm			BNHSA20X325G		BNHSA24X325G



GALVANIZED					
Ø	M12	M16	M20	M22	M24
330mm					BNHSA24X330G
350mm		BNHSA16X350G	BNHSA20X350G		BNHSA24X350G
375mm			BNHSA20X375G		BNHSA24X375G
390mm					BNHSA24X390G
400mm		BNHSA16X400G	BNHSA20X400G		BNHSA24X400G
415mm					BNHSA24X415G
450mm					BNHSA24X450G
500mm		BNHSA16X500G	BNHSA20X500G		BNHSA24X500G
550mm					BNHSA24X550G
600mm		BNHSA16X600G	BNHSA20X600G		BNHSA24X600G
<b>Nuts</b>	NUTM12HSFG	NUTM16HSFG	NUTM20HSFG	NUTM22HSFG	NUTM24HSFG
<b>Washers</b>	W12HSFG	W16HSFG	W20HSFG	W22HSFG	W24HSFG

GALVANIZED				
Ø	M27	M30	M33	M36
75mm	BNHSA27X75G	BNHSA30X75G		
80mm		BNHSA30X80G		
85mm		BNHSA30X85G		
90mm	BNHSA27X90G	BNHSA30X90G		BNHSA36X90G
100mm	BNHSA27X100G	BNHSA30X100G		BNHSA36X100G
110mm		BNHSA30X110G		BNHSA36X110G
120mm	BNHSA27X120G	BNHSA30X120G		BNHSA36X120G
130mm	BNHSA27X130G	BNHSA30X130G	BNHSA33X130G	BNHSA36X130G
140mm	BNHSA27X140G	BNHSA30X140G		BNHSA36X140G
150mm	BNHSA27X150G	BNHSA30X150G	BNHSA33X150G	BNHSA36X150G
160mm		BNHSA30X160G		BNHSA36X160G
170mm		BNHSA30X170G		BNHSA36X170G
180mm	BNHSA27X180G	BNHSA30X180G	BNHSA33X180G	BNHSA36X180G
190mm		BNHSA30X190G		BNHSA36X190G
200mm	BNHSA27X200G	BNHSA30X200G		BNHSA36X200G
220mm	BNHSA27X220G	BNHSA30X220G		BNHSA36X220G
240mm	BNHSA27X240G	BNHSA30X240G		BNHSA36X240G
250mm		BNHSA30X250G		
260mm	BNHSA27X260G	BNHSA30X260G		BNHSA36X260G
275mm		BNHSA30X280G		BNHSA36X280G
300mm		BNHSA30X300G		BNHSA36X300G
325mm		BNHSA30X325G		
350mm		BNHSA30X350G		BNHSA36X350G
375mm		BNHSA30X375G		
400mm		BNHSA30X400G		BNHSA36X400G
500mm		BNHSA30X500G		BNHSA36X500G
<b>Nuts</b>	NUTM27HSFG	NUTM30HSFG	NUTM33HSFG	NUTM36HSFG
<b>Washers</b>	W27HSFG	W30HSFG	W33HSFG	W36HSFG

## PREMIUM NICKEL ANTI-SEIZE PRODUCT RANGE

ANTI-SEIZE RANGE FOR ALL METALS

**FDG**





### HEX HEAD HOLLO BOLT

LENGTH	GRIP RANGE	OUTER DIAMETER	HDG	BOLT
30mm	3-22	13.75	HB08-1-HDG	M8 x 50
49mm	22 - 41	13.75	HB08-2-HDG	M8 x 70
68mm	41 - 60	13.75	HB08-3-HDG	M8 x 90
30mm	3-25	17.75	HB10-1-HDG	M10 x 50
48mm	25 - 47	17.75	HB10-2-HDG	M10 x 70
67mm	47 - 69	17.75	HB10-3-HDG	M10 x 90
35mm	12 - 29	19.75	HB12-1-HDG	M12 x 55
57mm	29 - 50	19.75	HB12-2-HDG	M12 x 80
79mm	50 - 71	19.75	HB12-3-HDG	M12 x 100
41.5mm	12 - 34	25.75	HB16-1-HDG	M16 X 75
63mm	34 - 60	25.75	HB16-2-HDG	m16 X 100
84mm	60 - 86	25.75	HB16-3-HDG	M16 X 120
50mm	12-34	32.75	HB20-1-HDG	M20 X 90
76mm	34-60	32.75	HB20-2-HDG	M20 X 120
102mm	60-86	32.75	HB20-3-HDG	M20 X 150
LENGTH	GRIP RANGE	OUTER DIAMETER	ZINC	BOLT
30mm	3-22	13.75	HB08-1-Z	M8 x 50
30mm	3-25	17.75	HB10-1-Z	M10 x 50
35mm	12 - 29	19.75	HB12-1-Z	M12 x 55
41.5mm	12 - 34	25.75	HB16-1-Z	M16 X 75
LENGTH	GRIP RANGE	OUTER DIAMETER	304 STAINLESS	BOLT
30mm	3-22	13.75	HB08-1-SS	M8 x 50
30mm	3-25	17.75	HB10-1-SS	M10 x 50
35mm	12 - 29	19.75	HB12-1-SS	M12 x 55
41.5mm	12 - 34	25.75	HB16-1-SS	M16 X 75
50mm	12-34	32.75	HB20-1-SS	M20 X 90

### COUNTERSUNK HOLLO BOLT

LENGTH	GRIP RANGE	OUTER DIAMETER	HDG	BOLT
30mm	3-22	13.75	HBCSK08-1 -HDG	M8 x 50
30mm	3-25	17.75	HBCSK10-1 -HDG	M10 x 50
35mm	12 - 29	19.75	HBCSK12-1 -HDG	M12 x 55
41.5mm	12 - 34	25.75	HBCSK16-1-HDG	M16 X 75
LENGTH	GRIP RANGE	OUTER DIAMETER	304 STAINLESS	BOLT
30mm	3-22	13.75	HBCSK08-1 -SS	M8 x 50
30mm	3-25	17.75	HBCSK10-1 -SS	M10 x 50
35mm	12 - 29	19.75	HBCSK12-1 -SS	M12 x 55
41.5mm	12 - 34	25.75	HBCSK16-1-SS	M16 X 75

### FLAT HEAD HOLLO BOLT

LENGTH	GRIP RANGE	OUTER DIAMETER	HDG	BOLT
35mm	10-27	13.75	HBFF08-1 -HDG	M8 x 50
36mm	12-27	17.75	HBFF10-1 -HDG	M10 x 50
42mm	13-30	19.75	HBFF12-1 -HDG	M12 x 55
LENGTH	GRIP RANGE	OUTER DIAMETER	304 STAINLESS	BOLT
35mm	10-27	13.75	HBFF08-1 -SS	M8 x 50
36mm	12-27	17.75	HBFF10-1 -SS	M10 x 50
42mm	13-30	19.75	HBFF12-1 -SS	M12 x 55

### CT-SCGO SOLUBLE CUTTING FLUID GP

PART NO.	SIZE	PACK QTY
CT-SCGO-1L	1L Steel Flask	6
CT-SCGO-5L5L 2	5L Plastic Bottle	2
CT-SCGO-20L	20L Plastic Drum	1

Chemtools® Soluble Cutting Fluid (GP) is our most popular metal working fluid. It is formulated from solvent refined mineral oil & specialized additives to form a stable emulsion for general cutting and grinding. The high quality sulphur content makes it perfect for use in machine shops. It is suitable for tapping, threading, turning, milling and drilling of all ferrous metals. This product contains emulsifiers, corrosion inhibitors and lubricants.





# 4.6 CUP HEAD COACH BOLT & NUT



# 4.6 CUP HEAD COACH BOLT & NUT



ZINC				
Ø	M6	M8	M10	M12
20mm	CBN6X20Z	CBN8X20Z	CBN10X20Z	
25mm	CBN6X25Z	CBN8X25Z	CBN10X25Z	
30mm	CBN6X30Z	CBN8X30Z	CBN10X30Z	CBN12X30Z
35mm	CBN6X35Z		CBN10X35Z	CBN12X35Z
40mm	CBN6X40Z	CBN8X40Z	CBN10X40Z	CBN12X40Z
45mm	CBN6X45Z	CBN8X45Z	CBN10X45Z	
50mm	CBN6X50Z	CBN8X50Z	CBN10X50Z	CBN12X50Z
55mm	CBN6X55Z	CBN8X55Z	CBN10X55Z	
60mm	CBN6X60Z	CBN8X60Z	CBN10X60Z	CBN12X60Z
65mm	CBN6X65Z	CBN8X65Z	CBN10X65Z	CBN12X65Z
70mm	CBN6X70Z	CBN8X70Z	CBN10X70Z	CBN12X70Z
75mm	CBN6X75Z	CBN8X75Z	CBN10X75Z	CBN12X75Z
80mm	CBN6X80Z	CBN8X80Z	CBN10X80Z	CBN12X80Z
85mm		CBN8X85Z	CBN10X85Z	
90mm	CBN6X90Z	CBN8X90Z	CBN10X90Z	CBN12X90Z
100mm	CBN6X100Z	CBN8X100Z	CBN10X100Z	CBN12X100Z
110mm	CBN6X110Z	CBN8X110Z	CBN10X110Z	CBN12X110Z
120mm	CBN6X120Z	CBN8X120Z	CBN10X120Z	CBN12X120Z
130mm	CBN6X130Z	CBN8X130Z	CBN10X130Z	CBN12X130Z
140mm	CBN6X140Z	CBN8X140Z	CBN10X140Z	CBN12X140Z
150mm	CBN6X150Z	CBN8X150Z	CBN10X150Z	CBN12X150Z



GALVANIZED					
Ø	M8	M10	M12	M16	M20
20mm	CBN8X20G	CBN10X20G			
25mm	CBN8X25G	CBN10X25G			
30mm	CBN8X30G	CBN10X30G	CBN12X30G		
35mm		CBN10X35G	CBN12X35G		
40mm	CBN8X40G	CBN10X40G	CBN12X40G		
45mm	CBN8X45G	CBN10X45G	CBN12X45G		
50mm	CBN8X50G	CBN10X50G	CBN12X50G	CBN16X50G	
55mm	CBN8X55G	CBN10X55G			
60mm	CBN8X60G	CBN10X60G	CBN12X60G	CBN16X60G	
65mm	CBN8X65G	CBN10X65G	CBN12X65G	CBN16X65G	CBN20X65G
70mm	CBN8X70G	CBN10X70G	CBN12X70G		
75mm	CBN8X75G	CBN10X75G	CBN12X75G	CBN16X75G	CBN20X75G
80mm	CBN8X80G	CBN10X80G	CBN12X80G	CBN16X80G	
85mm	CBN8X85G	CBN10X85G	CBN12X85G		
90mm	CBN8X90G	CBN10X90G	CBN12X90G	CBN16X90G	CBN20X90G
100mm	CBN8X100G	CBN10X100G	CBN12X100G	CBN16X100G	CBN20X100G
110mm	CBN8X110G	CBN10X110G	CBN12X110G	CBN16X110G	CBN20X110G
120mm	CBN8X120G	CBN10X120G	CBN12X120G	CBN16X120G	CBN20X120G
130mm	CBN8X130G	CBN10X130G	CBN12X130G	CBN16X130G	CBN20X130G
140mm	CBN8X140G	CBN10X140G	CBN12X140G	CBN16X140G	CBN20X140G
150mm	CBN8X150G	CBN10X150G	CBN12X150G	CBN16X150G	CBN20X150G
160mm	CBN8X160G	CBN10X160G	CBN12X160G	CBN16X160G	CBN20X160G
170mm		CBN10X170G	CBN12X170G	CBN16X170G	
180mm	CBN8X180G	CBN10X180G	CBN12X180G	CBN16X180G	CBN20X180G
190mm		CBN10X190G	CBN12X190G		
200mm	CBN8X200G	CBN10X200G	CBN12X200G	CBN16X200G	CBN20X200G
220mm		CBN10X220G	CBN12X220G	CBN16X220G	CBN20X220G
240mm		CBN10X240G	CBN12X240G	CBN16X240G	CBN20X240G
260mm		CBN10X260G	CBN12X260G	CBN16X260G	CBN20X260G
280mm		CBN10X280G	CBN12X280G	CBN16X280G	CBN20X280G
300mm		CBN10X300G	CBN12X300G	CBN16X300G	CBN20X300G
325mm			CBN12X325G		
350mm		CBN10X350G	CBN12X350G	CBN16X350G	CBN20X350G
375mm		CBN10X375G	CBN12X375G		
400mm			CBN12X400G	CBN16X400G	CBN20X400G
450mm			CBN12X450G	CBN16X450G	







304 STAINLESS				
Ø	M6	M8	M10	M12
20mm	CB06X20A2	CB08X20A2		
25mm	CB06X25A2	CB08X25A2		
30mm	CB06X30A2	CB08X30A2		
40mm	CB06X40A2	CB08X40A2		CB012X40A2
50mm	CB06X50A2	CB08X50A2	CB010X50A2	CB012X50A2
60mm		CB08X60A2	CB010X60A2	CB012X60A2
70mm			CB010X70A2	CB012X70A2
75mm			CB010X75A2	
80mm			CB010X80A2	CB012X80A2
90mm			CB010X90A2	CB012X90A2
100mm			CB010X100A2	CB012X100A2
110mm			CB010X110A2	CB012X110A2
120mm			CB010X120A2	CB012X120A2
130mm				CB012X130A2
140mm				CB012X140A2
150mm				CB012X150A2

316 STAINLESS						
Ø	M5	M6	M8	M10	M12	M16
16mm	CB05X16A4					
20mm		CB06X20A4	CB08X20A4			
25mm		CB06X25A4	CB08X25A4	CB010X25A4		
30mm		CB06X30A4	CB08X30A4	CB010X30A4		
40mm		CB06X40A4	CB08X40A4	CB010X40A4	CB012X40A4	
50mm	CB05X50A4	CB06X50A4	CB08X50A4	CB010X50A4	CB012X50A4	
60mm		CB06X60A4	CB08X60A4	CB010X60A4	CB012X60A4	
70mm		CB06X70A4	CB08X70A4	CB010X70A4	CB012X70A4	
75mm				CB010X75A4		
80mm	CB05X80A4	CB06X80A4	CB08X80A4	CB010X80A4	CB012X80A4	CB016X80A4
90mm			CB08X90A4		CB012X90A4	
100mm		CB06X100A4	CB08X100A4	CB010X100A4	CB012X100A4	CB016X100A4
110mm			CB08X110A4	CB010X110A4	CB012X110A4	
120mm				CB010X120A4	CB012X120A4	
130mm				CB010X130A4	CB012X130A4	CB016X130A4
140mm				CB010X140A4	CB012X140A4	
150mm				CB010X150A4	CB012X150A4	CB016X150A4
160mm				CB010X160A4	CB012X160A4	
180mm				CB010X180A4	CB012X180A4	CB016X180A4
190mm					CB012X190A4	
200mm					CB012X200A4	CB016X200A4
220mm					CB012X220A4	CB016X220A4
240mm					CB012X240A4	CB016X240A4
260mm					CB012X260A4	CB016X260A4
280mm					CB012X280A4	
300mm					CB012X300A4	CB016X300A4
350mm					CB012X350A4	CB016X350A4
400mm					CB012X400A4	CB016X400A4
450mm					CB012X450A4	CB016X450A4

**SQUARE WASHERS**

**SQUARE WASHERS AND NUTS**  
on page 83 & 68

**HEX NUTS**

**FDG**



GALVANIZED						
Ø	M6	M8	M10	M12	M16	M20
25mm	CS6X25G					
30mm	CS6X30G	CS8X30G				
40mm	CS6X40G	CS8X40G	CS10X40G	CS12X40G		
50mm	CS6X50G	CS8X50G	CS10X50G	CS12X50G	CS16X50G	
65mm	CS6X65G	CS8X65G	CS10X65G	CS12X65G	CS16X65G	
75mm	CS6X75G	CS8X75G	CS10X75G	CS12X75G	CS16X75G	
90mm	CS6X90G	CS8X90G	CS10X90G	CS12X90G	CS16X90G	
100mm	CS6X100G	CS8X100G	CS10X100G	CS12X100G	CS16X100G	
120mm			CS10X120G	CS12X120G		
130mm		CS8X130G	CS10X130G	CS12X130G	CS16X130G	CS20X130G
150mm		CS8X150G	CS10X150G	CS12X150G	CS16X150G	CS20X150G
180mm			CS10X180G	CS12X180G	CS16X180G	CS20X180G
200mm			CS10X200G	CS12X200G	CS16X200G	CS20X200G
220mm				CS12X220G	CS16X220G	CS20X220G
240mm				CS12X240G	CS16X240G	CS20X240G
260mm				CS12X260G	CS16X260G	CS20X260G
280mm					CS16X280G	
300mm				CS12X300G	CS16X300G	CS20X300G
350mm				CS12X350G	CS16X350G	CS20X350G
400mm				CS12X400G	CS16X400G	CS20X400G

304 STAINLESS		
Ø	M10	M12
75mm	CS10X75A2	CS12X75A2
80mm	CS10X80A2	
90mm	CS10X90A2	CS12X90A2
100mm		CS12X100A2
110mm		CS12X110A2
120mm	CS10X120A2	CS12X120A2
130mm	CS10X130A2	CS12X130A2
150mm	CS10X150A2	CS12X150A2

316 STAINLESS						
Ø	M6	M8	M10	M12	M16	M20
25mm	CS6X25A4	CS8X25A4				
30mm	CS6X30A4	CS8X30A4				
40mm	CS6X40A4	CS8X40A4	CS10X40A4	CS12X40A4		
50mm	CS6X50A4	CS8X50A4	CS10X50A4	CS12X50A4		
60mm	CS6X60A4	CS8X60A4	CS10X60A4	CS12X60A4		
65mm	CS6X65A4	CS8X65A4	CS10X65A4	CS12X65A4		
70mm	CS6X70A4	CS8X70A4	CS10X70A4	CS12X70A4		
75mm	CS6X75A4	CS8X75A4	CS10X75A4	CS12X75A4		
80mm	CS6X80A4	CS8X80A4	CS10X80A4	CS12X80A4	CS16X80A4	
90mm	CS6X90A4	CS8X90A4	CS10X90A4	CS12X90A4	CS16X90A4	
100mm	CS6X100A4	CS8X100A4	CS10X100A4	CS12X100A4	CS16X100A4	CS20X100A4
110mm		CS8X110A4		CS12X110A4		
120mm	CS6X120A4	CS8X120A4	CS10X120A4	CS12X120A4		CS20X120A4
130mm	CS6X130A4	CS8X130A4	CS10X130A4	CS12X130A4	CS16X130A4	
140mm		CS8X140A4	CS10X140A4	CS12X140A4		
150mm		CS8X150A4	CS10X150A4	CS12X150A4	CS16X150A4	
160mm		CS8X160A4	CS10X160A4	CS12X160A4		
180mm		CS8X180A4	CS10X180A4	CS12X180A4	CS16X180A4	
190mm					CS16X190A4	
200mm		CS8X200A4	CS10X200A4	CS12X200A4	CS16X200A4	CS20X200A4
220mm				CS12X220A4	CS16X220A4	
240mm				CS12X240A4	CS16X240A4	
250mm				CS12X250A4		CS20X250A4
260mm				CS12X260A4	CS16X260A4	
280mm				CS12X280A4	CS16X280A4	
300mm				CS12X300A4	CS16X300A4	CS20X300A4
350mm					CS16X350A4	





GRADE 5 HEX NUT		GRADE 8 HEX NUT		
Ø	GALVANIZED	BLACK	ZINC	GALVANIZED
2mm			NUTM2H8Z	
3mm		NUTM3H8	NUTM3H8Z	
4mm			NUTM4H8Z	
5mm		NUTM5H8	NUTM5H8Z	
6mm	NUTM6H5G	NUTM6H8	NUTM6H8Z	
8mm	NUTM8H5G	NUTM8H8	NUTM8H8Z	
10mm	NUTM10H5G	NUTM10H8	NUTM10H8Z	NUTM10H8G
12mm	NUTM12H5G	NUTM12H8	NUTM12H8Z	NUTM12H8G
14mm		NUTM14H8	NUTM14H8Z	
16mm	NUTM16H5G	NUTM16H8	NUTM16H8Z	NUTM16H8G
18mm		NUTM18H8	NUTM18H8Z	
20mm	NUTM20H5G	NUTM20H8	NUTM20H8Z	NUTM20H8G
22mm		NUTM22H8		
24mm	NUTM24H5G	NUTM24H8	NUTM24H8Z	
27mm	NUTM27H5G			NUTM27H8G
30mm	NUTM30H5G	NUTM30H8	NUTM30H8Z	NUTM30H8G
33mm	NUTM33H5G			NUTM33H8G
36mm	NUTM36H5G	NUTM36H8	NUTM36H8Z	NUTM36H8G
42mm	NUTM42H5G	NUTM42H8		NUTM42H8G
45mm		NUTM45H8	NUTM45H8Z	
48mm		NUTM48H8		NUTM48H8G
56mm		NUTM56H8		NUTM56H8G

Ø	304 STAINLESS	316 STAINLESS
2mm	NUTM2HA2	NUTM2HA4
2.5mm	NUTM2.5HA2	NUTM2.5HA4
3mm	NUTM3HA2	NUTM3HA4
4mm	NUTM4HA2	NUTM4HA4
5mm	NUTM5HA2	NUTM5HA4
6mm	NUTM6HA2	NUTM6HA4
8mm	NUTM8HA2	NUTM8HA4
10mm	NUTM10HA2	NUTM10HA4
12mm	NUTM12HA2	NUTM12HA4
14mm	NUTM14HA2	NUTM14HA4
16mm	NUTM16HA2	NUTM16HA4
18mm	NUTM18HA2	NUTM18HA4
20mm	NUTM20HA2	NUTM20HA4
22mm	NUTM22HA2	NUTM22HA4
24mm	NUTM24HA2	NUTM24HA4
27mm	NUTM27HA2	NUTM27HA4
30mm	NUTM30HA2	NUTM30HA4
33mm		NUTM33HA4
36mm	NUTM36HA2	NUTM36HA4
42mm		NUTM42HA4
45mm		NUTM45HA4
48mm		NUTM48HA4
52mm		NUTM52HA4

FUJI LOCK NUT	
Ø	304 STAINLESS
4mm	NUTM4FLA2
5mm	NUTM5FLA2
6mm	NUTM6FLA2
8mm	NUTM8FLA2
10mm	NUTM10FLA2
12mm	NUTM12FLA2
16mm	NUTM16FLA2

Ø	IMPERIAL UNC		IMPERIAL UNF	
	304 STAINLESS	316 STAINLESS	304 STAINLESS	316 STAINLESS
3/16"	NUTC3/16HA2	NUTC3/16HA4		
1/4"	NUTC1/4HA2	NUTC1/4HA4	NUTF1/4HA2	NUTF1/4HA4
5/16"	NUTC5/16HA2	NUTC5/16HA4	NUTF5/16HA2	NUTF5/16HA4
3/8"	NUTC3/8HA2	NUTC3/8HA4	NUTF3/8HA2	NUTF3/8HA4
7/16"	NUTC7/16HA2	NUTC7/16HA4	NUTF7/16HA2	NUTF7/16HA4
1/2"	NUTC1/2HA2	NUTC1/2HA4	NUTF1/2HA2	NUTF1/2HA4
9/16"		NUTC9/16HA4		
5/8"	NUTC5/8HA2	NUTC5/8HA4	NUTF5/8HA2	NUTF5/8HA4
3/4"	NUTC3/4HA2	NUTC3/4HA4	NUTF3/4HA2	NUTF3/4HA4
7/8"	NUTC7/8HA2	NUTC7/8HA4		
1"	NUTC1HA2	NUTC1HA4		
1-1/4"		NUTC1-1/4HA4		



Ø	ZINC	GALVANIZED	304 STAINLESS	316 STAINLESS
2mm			NUTM2NA2	
2.5mm			NUTM2.5NA2	
3mm	NUTM3NZ		NUTM3NA2	NUTM3NA4
4mm	NUTM4NZ		NUTM4NA2	NUTM4NA4
5mm	NUTM5NZ		NUTM5NA2	NUTM5NA4
6mm	NUTM6NZ		NUTM6NA2	NUTM6NA4
8mm	NUTM8NZ	NUTM8NG	NUTM8NA2	NUTM8NA4
10mm	NUTM10NZ	NUTM10NG	NUTM10NA2	NUTM10NA4
12mm	NUTM12NZ	NUTM12NG	NUTM12NA2	NUTM12NA4
14mm	NUTM14NZ			NUTM14NA4
16mm	NUTM16NZ	NUTM16NG	NUTM16NA2	NUTM16NA4
18mm	NUTM18NZ			
20mm	NUTM20NZ	NUTM20NG	NUTM20NA2	NUTM20NA4
22mm	NUTM22NZ			NUTM22NA4
24mm	NUTM24NZ	NUTM24NG		NUTM24NA4
27mm				NUTM27NA4
30mm	NUTM30NZ	NUTM30NG		NUTM30NA4
33mm				NUTM33NA4
36mm	NUTM36NZ			NUTM36NA4
42mm	NUTM42NZ			
45mm	NUTM45NZ			
48mm	NUTM48NZ			

Ø	METRIC FINE	METRIC EXTRA FINE
8mm		NUTM8X1.0NZ
10mm	NUTM10X1.25NZ	NUTM10X1.0NZ
12mm	NUTM12X1.5NZ	
16mm	NUTM16X1.5NZ	
18mm	NUTM18X2.0NZ	
20mm	NUTM20X2.0NZ	
22mm	NUTM24X1.5NZ	
24mm	NUTM24X2.0NZ	
27mm	NUTM24X3.0NZ	

Ø	UNC	UNF	UNC		UNF	
	ZINC		304 STAINLESS	316 STAINLESS	304 STAINLESS	316 STAINLESS
3/16"	NUTC3/16NZ	NUTF3/16NZ	NUTC3/16NA2	NUTC3/16NA4		
1/4"	NUTC1/4NZ	NUTF1/4NZ	NUTC1/4NA2	NUTC1/4NA4	NUTF1/4NA2	NUTF1/4NA4
5/16"	NUTC5/16NZ	NUTF5/16NZ	NUTC5/16NA2	NUTC5/16NA4	NUTF5/16NA2	NUTF5/16NA4
3/8"	NUTC3/8NZ	NUTF3/8NZ	NUTC3/8NA2	NUTC3/8NA4	NUTF3/8NA2	NUTF3/8NA4
7/16"	NUTC7/16NZ	NUTF7/16NZ	NUTC7/16NA2	NUTC7/16NA4	NUTF7/16NA2	NUTF7/16NA4
1/2"	NUTC1/2NZ	NUTF1/2NZ	NUTC1/2NA2	NUTC1/2NA4	NUTF1/2NA2	NUTF1/2NA4
9/16"	NUTC9/16NZ	NUTF9/16NZ				
5/8"	NUTC5/8NZ	NUTF5/8NZ	NUTC5/8NA2	NUTC5/8NA4	NUTF5/8NA2	NUTF5/8NA4
3/4"	NUTC3/4NZ	NUTF3/4NZ	NUTC3/4NA2	NUTC3/4NA4		
7/8"	NUTC7/8NZ	NUTF7/8NZ	NUTC7/8NA2	NUTC7/8NA4		
1"	NUTC1NZ		NUTC1NA2	NUTC1NA4		
1-12"		NUTF1-12NZ				
1-14"		NUTF1-14NZ				
1-1/8"	NUTC1-1/8NZ	NUTF1-1/8NZ				
1-1/4"	NUTC1-1/4NZ	NUTF1-1/4NZ				
1-1/2"	NUTC1-1/2NZ	NUTF1-1/2NZ				
1-3/4"	NUTC1-3/4NZ	NUTF1-3/4NZ				
2"	NUTC2NZ	NUTF2NZ				

COUPLING NUT				
Ø	ZINC	GALVANIZED	304 STAINLESS	316 STAINLESS
3mm	NUTM3CZ			
5mm	NUTM5CZ			
6mm	NUTM6CZ			NUTM6CA4
8mm	NUTM8CZ	NUTM8CG		NUTM8CA4
10mm	NUTM10CZ	NUTM10CG	NUTM10CA2	NUTM10CA4
12mm	NUTM12CZ	NUTM12CG	NUTM12CA2	NUTM12CA4
14mm	NUTM14CZ			
16mm	NUTM16CZ	NUTM16CG		NUTM16CA4
20mm	NUTM20CZ	NUTM20CG		NUTM20CA4
24mm	NUTM24CZ	NUTM24CG		
30mm		NUTM30CG		
36mm		NUTM36CG		





Ø	304 STAINLESS	316 STAINLESS
3mm	NUTM3DA2	NUTM3DA4
4mm	NUTM4DA2	NUTM4DA4
5mm	NUTM5DA2	NUTM5DA4
6mm	NUTM6DA2	NUTM6DA4
8mm	NUTM8DA2	NUTM8DA4
10mm	NUTM10DA2	NUTM10DA4
12mm	NUTM12DA2	NUTM12DA4
14mm	NUTM14DA2	NUTM14DA4
16mm	NUTM16DA2	NUTM16DA4
20mm	NUTM20DA2	NUTM20DA4
24mm	NUTM24DA2	NUTM24DA4

Ø	ZINC	304 STAINLESS	316 STAINLESS
3mm		NUTM3LA2	NUTM3LA4
4mm		NUTM4LA2	NUTM4LA4
5mm		NUTM5LA2	NUTM5LA4
6mm		NUTM6LA2	NUTM6LA4
8mm	NUTM8L2	NUTM8LA2	NUTM8LA4
10mm	NUTM10L2		NUTM10LA4
12mm	NUTM12L2	NUTM12LA2	NUTM12LA4
14mm			NUTM14LA4
16mm	NUTM16L2		NUTM16LA4
20mm	NUTM20L2	NUTM20LA2	NUTM20LA4
22mm			NUTM22LA4
24mm			NUTM24LA4
27mm			NUTM27LA4
30mm			NUTM30LA4
36mm			NUTM36LA4
48mm			NUTM48LA4

ZINC		
Ø	METRIC	METRIC FINE
6mm	NUTM6CLZ	
8mm	NUTM8CLZ	NUTM8X1.0CLZ
10mm	NUTM10CLZ	NUTM10X1.25CLZ
12mm	NUTM12CLZ	NUTM12X1.5CLZ
14mm	NUTM14CLZ	NUTM14X1.5CLZ
16mm	NUTM16CLZ	NUTM16X1.5CLZ
18mm	NUTM18CLZ	
20mm	NUTM20CLZ	
24mm	NUTM24CLZ	
30mm	NUTM30CLZ	
36mm	NUTM36CLZ	

ZINC		
Ø	UNC	UNF
1/4"	NUTC1/4CLZ	NUTF1/4CLZ
5/16"	NUTC5/16CLZ	NUTF5/16CLZ
3/8"	NUTC3/8CLZ	NUTF3/8CLZ
7/16"	NUTC7/16CLZ	NUTF7/16CLZ
1/2"	NUTC1/2CLZ	NUTF1/2CLZ
9/16"	NUTC9/16CLZ	NUTF9/16CLZ
5/8"	NUTC5/8CLZ	NUTF5/8CLZ
3/4"	NUTC3/4CLZ	NUTF3/4CLZ
7/8"	NUTC7/8CLZ	NUTF7/8CLZ
1"	NUTC1CLZ	
1-12"		NUTF1-12CLZ
1-14"		NUTF1-14CLZ
1-1/8"	NUTC1-1/8CLZ	NUTF1-1/8CLZ
1-1/4"	NUTC1-1/4CLZ	NUTF1-1/4CLZ
1-1/2"	NUTC1-1/2CLZ	NUTF1-1/2CLZ

**LinkedIn**

*/fasteners-direct-global-ltd*

**FOLLOW US**

“Keep up to date with our recent projects, industry news and product offers.”



Ø	ZINC	304 STAINLESS	316 STAINLESS
5mm	NUTM5FZ	NUTM5FA2	
6mm	NUTM6FZ	NUTM6FA2	NUTM6FA4
8mm	NUTM8FZ	NUTM8FA2	NUTM8FA4
10mm	NUTM10FZ	NUTM10FA2	
12mm	NUTM12FZ	NUTM12FA2	NUTM12FA4
14mm	NUTM14FZ		
16mm	NUTM16FZ		

SERRATED FLANGE			
Ø	YELLOW ZINC	316 STAINLESS	304 STAINLESS
4mm		NUTM4FSA4	NUTM4FSA2
5mm		NUTM5FSA4	NUTM5FSA2
6mm			NUTM6FSA2
8mm			NUTM8FSA2
10mm	NUTM10FSYZ	NUTM10FSA4	NUTM10FSA2
12mm	NUTM12FSYZ		
14mm	NUTM14FSYZ		
16mm	NUTM16FSYZ		
20mm	NUTM20FSYZ		

WING NUT			
Ø	ZINC	304 STAINLESS	316 STAINLESS
3mm		NUTM3WA2	NUTM3WA4
4mm		NUTM4WA2	NUTM4WA4
5mm	NUTM5WZ	ZNUTM5WA2	NUTM5WA4
6mm	NUTM6WZ	NUTM6WA2	NUTM6WA4
8mm	NUTM8WZ	NUTM8WA2	NUTM8WA4
10mm	NUTM10WZ	NUTM10WA2	NUTM10WA4
12mm	NUTM12WZ	NUTM12WA2	NUTM12WA4
14mm		NUTM14WA2	NUTM14WA4
16mm		NUTM16WA2	NUTM16WA4

Ø	GRADE 5 UNC		GRADE 8 UNC	
	BLACK	ZINC	BLACK	ZINC
3/16"		NUTC3/16H5Z		
1/4"	NUTC1/4H5	NUTC1/4H5Z		
5/16"	NUTC5/16H5	NUTC5/16H5Z		
3/8"	NUTC3/8H5	NUTC3/8H5Z		
7/16"	NUTC7/16H5	NUTC7/16H5Z		
1/2"			NUTC1/2H8	NUTC1/2H8Z
9/16"			NUTC9/16H8	NUTC9/16H8Z
5/8"			NUTC5/8H8	NUTC5/8H8Z
3/4"			NUTC3/4H8	NUTC3/4H8Z
7/8"			NUTC7/8H8	NUTC7/8H8Z
1"			NUTC1H8	NUTC1H8Z
1-1/8"			NUTC1-1/8H8	
1-1/4"			NUTC1-1/4H8	NUTC1-1/4H8Z
1-1/2"			NUTC1-1/2H8	NUTC1-1/2H8Z
1-3/4"			NUTC1-3/4H8	
2"			NUTC2H8	

Ø	GRADE 5 UNF		GRADE 8 UNF	
	BLACK	ZINC	BLACK	ZINC
1/4"	NUTF1/4H5			
5/16"	NUTF5/16H5	NUTF5/16H5Z		
3/8"	NUTF3/8H5	NUTF3/8H5Z		
7/16"	NUTF7/16H5	NUTF7/16H5Z		
1/2"			NUTF1/2H8	NUTF1/2H8Z
9/16"			NUTF9/16H8	NUTF9/16H8Z
5/8"			NUTF5/8H8	NUTF5/8H8Z
3/4"			NUTF3/4H8	NUTF3/4H8Z
7/8"			NUTF7/8H8	NUTF7/8H8Z
1"		NUTF1-12H8	NUTF1H8	NUTF1-12H8Z
1"			NUTF1-14H8	NUTF1-14H8Z
1-1/8"			NUTF1-1/8H8	NUTF1-1/8H8Z
1-1/4"			NUTF1-1/4H8	NUTF1-1/4H8Z
1-1/2"			NUTF1-1/2H8	NUTF1-1/2H8Z
1-3/4"			NUTF1-3/4H8	NUTF1-3/4H8Z
2"			NUTF2H8	NUTF2H8Z

Ø	ZINC	304 STAINLESS	316 STAINLESS
2mm		W2X5X0.3A2	W2X5X0.3A4
2.5mm		W2.5X6.5X0.5A2	W2.5X6.5X0.5A4
3mm		W3X7X0.5A2	W3X7X0.5A4
3mm	W3X7X.9Z		
3mm	W3X9X.9Z		
4mm	W4X9X.9Z		W4X9X0.8A4
4mm	W4X11X.9Z	W4X11X1A2	W4X11X.9A4
4mm	W4X16X1.2Z		
5mm	W5X10X.9Z	W5X10X1A2	W5X10X1A4
5mm		W5X10X1.2A2	
5mm		W5X11X1A2	
5mm	W5X12.5X1.2Z		W5X12.5X1.2A4
5mm		W5X15X1.5A2	
5mm	W5X16X1.2Z	W5X16X1.2A2	W5X16X1.2A4
5mm	W5X19X1.6Z		
6mm	W6X12.5X1.2Z	W6X12.5X1.2A2	W6X12.5X1.2A4
6mm		W6X12.5X1.6A2	W6X12.5X1.6A4
6mm	W6X14X1.2Z		
6mm	W6X16X1.2Z	W6X16X1.2A2	W6X16X1.2A4
6mm	W6X16X1.6Z	W6X16X1.6A2	W6X16X1.6A4
6mm		W6X18X1.6A2	W6X18X1.6A4
6mm		W6X19X1.2A2	
6mm	W6X19X1.6Z	W6X19X1.6A2	W6X19X1.6A4
6mm		W6X20X1.5A2	W6X20X1.5A4
8mm	W8X16X1.2Z	W8X16X1.2A2	W8X16X1.2A4
8mm	W8X16X1.6Z	W8X16X1.6A2	W8X16X1.6A4
8mm		W8X17X1.2A2	W8X17X1.2A4
8mm	W8X17X1.6Z	W8X17X1.6A2	
8mm	W8X19X1.6Z	W8X19X1.6A2	W8X19X1.6A4
8mm	W8X21X1.6Z	W8X21X1.6A2	
10mm	W10X19X1.6Z		

Ø	ZINC	304 STAINLESS	316 STAINLESS
10mm		W10X21X1.2A2	W10X21X1.2A4
10mm	W10X21X1.6Z		
10mm	W10X22X1.6Z	W10X22X1.6A2	W10X22X1.6A4
10mm	W10X24X1.6Z	W10X24X1.6A2	W10X24X1.6A4
12mm	W12X24X1.6Z	W12X24X1.6A2	W12X20X2A4
12mm			W12X24X1.6A4
12mm	W12X26X1.6Z		
12mm	W12X28.5X1.6Z	W12X28.5X1.6A2	W12X28.5X1.6A4
14mm	W14X32X1.6Z		W14X32X1.6A4
16mm	W16X30X1.6Z	W16X30X1.5A2	W16X30X1.5A4
16mm	W16X32X1.6Z	W16X32X1.6A2	W16X32X1.6A4
16mm	W16X34X1.6Z		W16X34X1.6A4
20mm	W20X32X1.6Z		
20mm	W20X37X1.6Z		W20X37X1.6A4
24mm	W24X48X1.6Z		W24X48X1.5A4



**IS THERE SOMETHING ELSE YOU ARE LOOKING FOR?**

**GIVE OUR FRIENDLY TEAM A CALL 0800 555 464**





Ø	BLACK	ZINC	GALVANIZED	304 STAINLESS	316 STAINLESS
6mm	W6X19X3	W6X19X3Z	W6X19X3G	W6X19X3A2	W6X19X3A4
8mm	W8X22X3	W8X22X3Z	W8X22X3G	W8X22X3A2	W8X22X3A4
10mm	W10X25X3	W10X25X3Z	W10X25X3G	W10X25X3A2	W10X25X3A4
10mm		W10X30X3Z	W10X30X3G		
10mm		W10X38X3Z			
10mm		W10X40X3Z			
10mm			W10X50X3G		
12mm	W12X28X3	W12X28X3Z	W12X28X3G		W12X28X3A4
12mm	W12X32X3	W12X32X3Z	W12X32X3G	W12X32X3A2	W12X32X3A4
12mm			W12X50X3G		W12X50X3A4
14mm	W14X32X3	W14X32X3Z			
16mm			W16X30X3G		
16mm	W16X34X3	W16X34X3Z	W16X34X3G	W16X34X3A2	W16X34X3A4
16mm	W16X38X3	W16X38X3Z	W16X38X3G	W16X38X3A2	W16X38X3A4
16mm			W16X50X3G		
18mm	W18X38X3	W18X38X3Z			W18X38X3A4
20mm	W20X37X3				
20mm	W20X39X3	W20X39X3Z	W20X39X3G		
20mm	W20X44.5X3	W20X44.5X3Z	W20X44.5X3G		W20X44.5X3A4
20mm		W20X50X3Z	W20X50X3G		
22mm	W22X47.5X3	W22X47.5X3Z	W22X47.5X3G		
24mm			W24x44x3G	W24X44X4A2	
24mm	W24X50X3	W24X50X3Z	W24X50X3G		W24X50X3A4
27mm			W27X50X3G		
30mm	W25X65X3	W30X60X3Z	W30X60X3G		W30X60X3A4
25mm	W25X85X3				
30mm	W30X56X3				
30mm	W30X60X3				
33mm			W33X60X3G		
33mm			W33X60X5G		
36mm	W36X72X3	W36X72X3Z	W36X72X3G		



Ø	BLACK	ZINC	GALVANIZED
42mm	W42X85X4	W42X85X4Z	W42X85X4G
45mm	W45X89X4	W45X89X4Z	
48mm	W48X96X4	W48X96X4Z	
48mm			W48X96X4G
48mm			W48X98X3G
48mm			W48X102X3G
52mm	W52X100X6		
52mm	W52X102X4	W52X102X4Z	

**FDG**  
PLAN, BUILD, CREATE BETTER

**FDG** Now stocking Euroboor range  
Manufactured in the Netherlands.

**EUROBOOR**  
FOR PROFESSIONALS BY PROFESSIONALS



# IMPERIAL FLAT ROUND WASHERS - LIGHT

# IMPERIAL FLAT ROUND WASHERS - HEAVY



Ø	ZINC	304 STAINLESS	316 STAINLESS
1/8"	W1/8X3/8X1Z		
1/8"	W1/8X7/8X1.2Z		
5/32"	W5/32X3/8X1Z	W5/32X3/8X1A2	W5/32X3/8X1A4
5/32"	W5/32X7/16X1Z		W5/32X7/16X1A4
3/16"		W3/16X3/8X1A2	W3/16X3/8X1A4
3/16"	W3/16X1/2X1.2Z	W3/16X1/2X1.2A2	W3/16X1/2X1.2A4
3/16"	W3/16X5/8X1.2Z		W3/16X5/8X1.2A4
3/16"	W3/16X3/4X1.6Z	W3/16X3/4X1.2A2	
1/4"	W1/4X1/2X1.2Z		
1/4"		W1/4X1/2X1.6A2	W1/4X1/2X1.6A4
1/4"			W1/4X1/2X20A4
1/4"	W1/4X9/16X1.2Z		
1/4"	W1/4X5/8X1.2Z	W1/4X5/8X1.2A2	
1/4"	W1/4X5/8X1.6Z	W1/4X5/8X1.6A2	W1/4X5/8X1.6A4
1/4"	W1/4X3/4X1.6Z	W1/4X3/4X1.6A2	W1/4X3/4X1.6A4
1/4"		W1/4X1X1.6A2	W1/4X1X1.6A4
5/16"	W5/16X5/8X1.2Z	W5/16X5/8X1.2A2	
5/16"		W5/16X5/8X1.6A2	W5/16X5/8X1.6A4
5/16"	W5/16X3/4X1.6Z	W5/16X3/4X1.6A2	W5/16X3/4X1.6A4
3/8"	W3/8X5/8X1.2Z		
3/8"	W3/8X5/8X1.6Z		
3/8"	W3/8X3/4X1.6Z		W3/8X3/4X1.6A4
3/8"	W3/8X7/8X1.6Z	W3/8X7/8X1.6A2	W3/8X7/8X1.6A4
7/16"	W7/16X7/8X1.6Z		
7/16"	W7/16X1X1.6Z		W7/16X1X1.6A4
1/2"	W1/2X1X1.6Z		
1/2"	W1/2X1-1/8X1.6Z	W1/2X1-1/8X1.6A2	W1/2X1-1/8X1.6A4
9/16"	W9/16X1-1/4X1.6Z		W9/16X1-1/4X1.6A4
5/8"	W5/8X1-1/4X1.6Z	W5/8X1-1/4X1.6A2	W5/8X1-1/4X1.6A4
5/8"	W5/8X1-3/8X1.6Z		
3/4"	W3/4X1-1/2X1.6Z		W3/4X1-1/2X1.6A4
7/8"	W7/8X1-5/8X1.6Z		
1"	W1X1-7/8X1.6Z		W1X1-7/8X1.6A4

Ø	BLACK	ZINC	GALVANIZED	304 STAINLESS	316 STAINLESS
1/4"	W1/4X3/4X3	W1/4X3/4X3Z	W1/4X3/4X3G	W1/4X3/4X3A2	W1/4X3/4X3A4
5/16"	W5/16X7/8X3	W5/16X7/8X3Z	W5/16X7/8X3G	W5/16X7/8X3A2	W5/16X7/8X3A4
5/16"					W5/16X1-1/2X3A4
3/8"	W3/8X1X3	W3/8X1X3Z	W3/8X1X3G	W3/8X1X3A2	W3/8X1X3A4
3/8"		W3/8X2X3Z			
7/16"	W7/16X1-1/8X3	W7/16X1-1/8X3Z	W7/16X1-1/8X3G		W7/16X1-1/8X3A4
1/2"	W1/2X1-1/8X3	W1/2X1-1/8X3Z	W1/2X1-1/8X3G	W1/2X1-1/8X3A2	W1/2X1-1/8X3A4
1/2"	W1/2X1-1/4X3	W1/2X1-1/4X3Z	W1/2X1-1/4X3G	W1/2X1-1/4X3A2	W1/2X1-1/4X3A4
1/2"		W1/2X2X3Z			
9/16"	W9/16X1-1/4X3	W9/16X1-1/4X3Z			W9/16X1-1/4X3A4
5/8"	W5/8X1-1/2X3	W5/8X1-1/2X3Z	W5/8X1-1/2X3G	W5/8X1-1/2X3A2	W5/8X1-1/2X3A4
3/4"	W3/4X1-3/4X3	W3/4X1-3/4X3Z	W3/4X1-3/4X3G		W3/4X1-3/4X3A4
7/8"	W7/8X1-7/8X3	W7/8X1-7/8X3Z	W7/8X1-7/8X3G		W7/8X1-7/8X3A4
1"	W1X2-1/8X3	W1X2-1/8X3Z	W1X2-1/8X3G		W1X2-1/8X3A4
1-1/8"	W1-1/8X2-3/8X3	W1-1/8X2-3/8X3Z	W1-1/8X2-3/8X3G		W1-1/8X2-3/8X3A4
1-1/4"	W1-1/4X2-5/8X3	W1-1/4X2-5/8X3Z	W1-1/4X2-5/8X3G		W1-1/4X2-5/8X3A4
1-3/8"	W1-3/8X2-7/8X3	W1-3/8X2-7/8X3Z			W1-3/8X2-7/8X3A4
1-1/2"	W1-1/2X3-1/8X3	W1-1/2X3-1/8X3Z	W1-1/2X3-1/8X3G		
1-5/8"	W1-5/8X3-3/8X4	W1-5/8X3-3/8X4Z			
1-3/4"	W1-3/4X3-1/2X4	W1-3/4X3-1/2X4Z			
1-7/8"	W1-7/8X3-3/4X4	W1-7/8X3-3/4X4Z			



METRIC FENDER WASHERS			
Ø	ZINC	304 STAINLESS	316 STAINLESS
5mm	W5X22X1.6Z	W5X22X1.6A2	W5X22X1.6A4
6mm	W6X22X1.6Z	W6X22X1.6A2	W6X22X1.6A4
8mm	W8X22X1.6Z	W8X22X1.6A2	W8X22X1.6A4
5mm	W5X32X1.6Z	W5X32X1.6A2	W5X32X1.6A4
6mm	W6X32X1.6Z	W6X32X1.6A2	W6X32X1.6A4
8mm	W8X32X1.6Z	W8X32X1.6A2	W8X32X1.6A4
10mm	W10X32X1.6Z	W10X32X1.6A2	W10X32X1.6A4
12mm	W12X32X1.6Z	W12X32X1.6A2	W12X32X1.6A4

IMPERIAL FENDER WASHERS			
Ø	ZINC	304 STAINLESS	316 STAINLESS
3/16"	W3/16X7/8X1.6Z	W3/16X7/8X1.6A2	W3/16X7/8X1.6A4
1/4"	W1/4X7/8X1.6Z	W1/4X7/8X1.6A2	W1/4X7/8X1.6A4
5/16"	W5/16X7/8X1.6Z	W5/16X7/8X1.6A2	W5/16X7/8X1.6A4
3/16"	W3/16X1-1/4X1.6Z	W3/16X1-1/4X1.6A2	W3/16X1-1/4X1.6A4
1/4"	W1/4X1-1/4X1.6Z	W1/4X1-1/4X1.6A2	W1/4X1-1/4X1.6A4
5/16"	W5/16X1-1/4X1.6Z	W5/16X1-1/4X1.6A2	W5/16X1-1/4X1.6A4
3/8"	W3/8X1-1/4X1.6Z	W3/8X1-1/4X1.6A2	W3/8X1-1/4X1.6A4
1/2"	W1/2X1-1/4X1.6Z	W1/2X1-1/4X1.6A2	W1/2X1-1/4X1.6A4

SQUARE WASHERS 40mm		
Ø	GALVANIZED	316 STAINLESS
8mm	W8X40SQX3G	
10mm	W10X40SQX3G	W10X40SQX3A4
10mm	W10X40SQX6G	
12mm	W12X40SQX3G	W12X40SQX3A4
12mm	W12X40SQX6G	
16mm	W16X40SQX3G	
16mm	W16X40SQX6G	

SQUARE WASHERS				
Ø	BLACK	GALVANIZED	304 STAINLESS	316 STAINLESS
10mm	W10X50SQX3	W10X50SQX3G	W10X50SQX3A2	W10X50SQX3A4
10mm	W10X50SQX6	W10X50SQX6G		
12mm	W12X50SQX3	W12X50SQX3G	W12X50SQX3A2	W12X50SQX3A4
12mm		W12X50SQX6G		W12X50SQX6A4
12mm		W12X80SQX6G		
16mm		W16X50SQX3G	W16X50SQX3A2	W16X50SQX3A4
16mm				W16X50SQX4A4
16mm		W16X50SQX6G		W16X50SQX6A4
16mm		W16X60SQX6G		
16mm				W16X65SQX3A4
16mm		W16X80SQX6G		W16X80SQX6A4
16mm		W16X80SQX10G		
20mm		W20X50SQX3G	W20X50SQX3A2	W20X50SQX3A4
20mm		W20X50SQX6G		W20X50SQX6A4
20mm		W20X60SQX6G		
20mm				W20X65SQX6A4
20mm	W20X80SQX12	W20X80SQX6G		W20X80SQX6A4
24mm		W24X50SQX3G		
24mm		W24X50SQX6G		
24mm		W24X65SQX6G		
24mm		W24X80SQX6G		
30mm		W30X80SQX6G		
36mm		W36X100SQX10G		
42mm		W42X100SQX10G		
48mm		W48X120SQX12G		
56mm		W56X150SQX12G		
64mm		W64X150SQX12G		





### METRIC

Ø	BLACK	ZINC	GALVANIZED	304 STAINLESS	316 STAINLESS
2mm				SW2A2	
2.5mm				SW2.5A2	SW2.5A4
3mm		SW3Z		SW3A2	SW3A4
4mm		SW4Z		SW4A2	SW4A4
5mm		SW5Z		SW5A2	SW5A4
6mm	SW6	SW6Z		SW6A2	SW6A4
8mm	SW8	SW8Z	SW8G	SW8A2	SW8A4
10mm	SW10	SW10Z	SW10G	SW10A2	SW10A4
12mm	SW12	SW12Z	SW12G	SW12A2	SW12A4
14mm	SW14	SW14Z			SW14A4
16mm	SW16	SW16Z	SW16G	SW16A2	SW16A4
18mm	SW18	SW18Z			SW18A4
20mm	SW20	SW20Z	SW20G	SW20A2	SW20A4
22mm	SW22	SW22Z			SW22A4
24mm	SW24	SW24Z	SW24G		SW24A4
30mm	SW30	SW30Z	SW30G		SW30A4
33mm					SW33A4
36mm	SW36	SW36Z			SW36A4
42mm		SW42Z			

### IMPERIAL

Ø	BLACK	ZINC	304 STAINLESS	316 STAINLESS
1/8"		SW1/8Z		
5/32"		SW5/32Z		SW5/32A4
3/16"		SW3/16Z	SW3/16A2	SW3/16A4
1/4"	SW1/4	SW1/4Z	SW1/4A2	SW1/4A4
5/16"	SW5/16	SW5/16Z	SW5/16A2	SW5/16A4
3/8"	SW3/8	SW3/8Z	SW3/8A2	SW3/8A4
7/16"	SW7/16	SW7/16Z		SW7/16A4
1/2"	SW1/2	SW1/2Z	SW1/2A2	SW1/2A4
9/16"	SW9/16	SW9/16Z		SW9/16A4
5/8"	SW5/8	SW5/8Z	SW5/8A2	SW5/8A4
3/4"	SW3/4	SW3/4Z		SW3/4A4
7/8"	SW7/8	SW7/8Z		SW7/8A4
1"	SW1	SW1Z		SW1A4
1-1/8"	SW1-1/8	SW1-1/8Z		
1-1/4"	SW1-1/4	SW1-1/4Z		
1-3/8"	SW1-3/8			
1-1/2"	SW1-1/2	SW1-1/2Z		
1-3/4"	SW1-3/4			
2"	SW2			

### SQUARE SECTION

Ø	304 STAINLESS
4mm	SWQ4A2
5mm	SWQ5A2
6mm	SWQ6A2
8mm	SWQ8A2
12mm	SWQ12A2
16mm	SWQ16A2
20mm	SWQ20A2



METRIC STARLOCK		
Ø	PLAIN	CAPPED
2mm	WSLM2	
2.5mm	WSLM2.5	
3mm	WSLM3	
4mm	WSLM4	WSLCM4
5mm	WSLM5	WSLCM5
6mm	WSLM6	WSLCM6
7mm	WSLM7	WSLCM7
8mm	WSLM8	WSLCM8
9mm	WSLM9	WSLCM10
10mm	WSLM10	
12mm	WSLM12	
16mm	WSLM16	
20mm	WSLM20	
24mm	WSLM24	



IMPERIAL STARLOCK		
Ø	PLAIN	CAPPED
1/6"	WSL1/6	WSLC1/6
3/32"	WSL3/32	WSLC3/32
1/8"	WSL1/8	WSLC1/8
5/32"	WSL5/32	WSLC5/32
3/16"	WSL3/16	WSLC3/16
7/32"	WSL7/32	WSLC7/32
1/4"	WSL1/4	WSLC1/4
5/16"	WSL5/16	WSLC5/16
3/8"	WSL3/8	WSLC3/8
7/16"	WSL7/16	WSLC7/16
1/2"	WSL1/2	WSLC1/2
5/8"	WSL5/8	WSLC5/8
3/4"	WSL3/4	WSLC3/4
1"	WSL1	WSLC1

Ø	NYLON
3mm	W3X8X.8NY
4mm	W4.3X9X.8NY
5mm	W5X11X1.6NY
6mm	W6.7X9.4X4NY
6mm	W6X12X1.6NY
6mm	W6X15.8X1.5NY
6mm	W6X16X1.5NY
6mm	W6X22X1.6NY
8mm	W8X16X1.0NY
8mm	W8X19X1.6NY
8mm	W8x24x2.5NY
10mm	W10X19X2NY
10mm	W10X20X1.7NY
10mm	W10X20X2.0NY
10mm	W10X22X2.5NY
10mm	W10X32X1.6NY
12mm	W12X20X1.9NY
12mm	W12X22X1.0NY
12mm	W12X24X2.5NY
13mm	W13X19X1.6NY
16mm	W16X25.4X1.6NY
16mm	W16X31X2.5NY
20mm	W20X32X1.6NY

NYLON INSULATING	
	W4X7.6X1.6X1.2N
	W6X13X1.6X3.2N
	W8X17X3X3.18N
	W10X22X3.2X6.4N
	W12X31X1.6X10.3N
	W16X25X3.2X3N
	W20X31X4X10.72N
	W25X44X3X15.85N

Ø	EPDM
6mm	W6X15X2EPDM
6mm	W6X18X3.2EPDM
6mm	W6X22X1.5EPDM
6mm	W6X22X3EPDM
6mm	W6X30X3EPDM
8mm	W8X16X3EPDM
8mm	W8X22X3EPDM
8mm	W8X32X3EPDM
8mm	W8X36X3EPDM
10mm	W10X25X3EPDM
10mm	W10X32X3EPDM
10mm	W10X38X3EPDM
20mm	W20X50X3EPDM
*CUSTOM SIZES AVAILABLE ON REQUEST	

CUP WASHER	
#	304 STAINLESS
6g	WCUP6A2
8g	WCUP8A2
10g	WCUP10A2
12g	WCUP12A2
14g	WCUP14A2





INTERNAL			
Ø	ZINC	304 STAINLESS	316 STAINLESS
2.5mm		W2.5ITA2	
3mm	W3ITZ	W3ITA2	
4mm	W4ITZ	W4ITA2	
5mm	W5ITZ	W5ITA2	
6mm	W6ITZ	W6ITA2	
8mm	W8ITZ	W8ITA2	
10mm	W10ITZ	W10ITA2	
12mm	W12ITZ	W12ITA2	W12ITA4
16mm		W16ITA2	W16ITA4
18mm		W18ITA2	
20mm		W20ITA2	



EXTERNAL			
Ø	ZINC	304 STAINLESS	316 STAINLESS
3mm	W3ETZ	W3ETA2	
4mm	W4ETZ	W4ETA2	
5mm	W5ETZ	W5ETA2	
6mm	W6ETZP	W6ETA2	
8mm	W8ETZP	W8ETA2	
10mm	W10ETZP	W10ETA2	
12mm		W12ETA2	W12ETA4
16mm		W16ETA2	
20mm		W20ETA2	



METRIC		
Ø	ZINC	316 STAINLESS
3mm	WLW3Z	WLW3A4
4mm	WLW4Z	WLW4A4
5mm	WLW5Z	WLW5A4
6mm	WLW6Z	WLW6A4
8mm	WLW8Z	WLW8A4
10mm	WLW10Z	WLW10A4
12mm	WLW12Z	WLW12A4
14mm	WLW14Z	WLW14A4
16mm	WLW16Z	WLW16A4
18mm	WLW18Z	WLW20A4
20mm	WLW20Z	WLW24A4
24mm	WLW24Z	WLW27A4
30mm	WLW30Z	WLW30A4
36mm	WLW36Z	



METRIC LARGE		
Ø	ZINC	316 STAINLESS
6mm	WLWLOD6Z	WLWLOD6A4
8mm	WLWLOD8Z	WLWLOD8A4
10mm	WLWLOD10Z	WLWLOD10A4
12mm	WLWLOD12Z	WLWLOD12A4
14mm	WLWLOD14Z	WLWLOD14A4
16mm	WLWLOD16Z	WLWLOD16A4
18mm	WLWLOD18Z	
20mm	WLWLOD20Z	WLWLOD20A4



IMPERIAL	
Ø	ZINC
1/4"	WLW1/4Z
5/16"	WLW5/16Z
3/8"	WLW3/8Z
7/16"	WLW7/16Z
1/2"	WLW1/2Z
3/4"	WLW3/4Z
1"	WLW1Z





# SOCKET PRODUCTS

<u>Metric Socket Head Cap Screw</u>	92-102
<u>Imperial Socket Head Cap Screw</u>	103-107
<u>Metric Countersunk Socket Screw</u>	108-113
<u>Imperial Countersunk Socket Screw</u>	114-117
<u>Metric Button Head Cap Screw</u>	118-120
<u>Imperial Button Head Cap Screw</u>	121
<u>Low Head Cap Screw</u>	122
<u>Metric Fine Socket Head Cap Screw</u>	123
<u>Shoulder Socket Screw</u>	124
<u>Hexagon Arm Wrench</u>	125
<u>Grub Screw</u>	126-133



BLACK								
Ø	M1.6	M2	M2.5	M3	M4	M5	M6	M7
3mm	ACS1.6X3	ACS2X3	ACS2.5x3					
4mm	ACS1.6X4	ACS2X4	ACS2.5X4	ACS3x4				
5mm	ACS1.6X5	ACS2X5	ACS2.5X5	ACS3X5	ACS4X5			
6mm	ACS1.6X6	ACS2X6	ACS2.5X6	ACS3X6	ACS4X6	ACS5X6	ACS6X6	
8mm	ACS1.6x8	ACS2X8	ACS2.5X8	ACS3X8	ACS4X8	ACS5X8	ACS6X8	
10mm	ACS1.6x10	ACS2X10	ACS2.5X10	ACS3X10	ACS4X10	ACS5X10	ACS6X10	
12mm	ACS1.6x12	ACS2X12	ACS2.5X12	ACS3X12	ACS4X12	ACS5X12	ACS6X12	
16mm		ACS2X16	ACS2.5X16	ACS3X16	ACS4X16	ACS5X16	ACS6X16	
20mm		ACS2X20	ACS2.5x20	ACS3X20	ACS4X20	ACS5X20	ACS6X20	ACS7X20
25mm		ACS2x25	ACS2.5x25	ACS3X25	ACS4X25	ACS5X25	ACS6X25	
30mm				ACS3X30	ACS4X30	ACS5X30	ACS6X30	ACS7X30
35mm				ACS3X35	ACS4X35	ACS5X35	ACS6X35	
40mm				ACS3X40	ACS4X40	ACS5X40	ACS6X40	ACS7X40
45mm				ACS3x45	ACS4X45	ACS5X45	ACS6X45	
50mm				ACS3x50	ACS4X50	ACS5X50	ACS6X50	
55mm				ACS3x55	ACS4x55	ACS5X55	ACS6X55	
60mm				ACS3x60	ACS4x60	ACS5X60	ACS6X60	
65mm					ACS4x65	ACS5X65	ACS6X65	
70mm				ACS3x70	ACS4x70	ACS5X70	ACS6X70	
75mm					ACS4x75	ACS5x75	ACS6X75	
80mm				ACS3x80	ACS4x80	ACS5X80	ACS6X80	
85mm					ACS4x85	ACS5x85	ACS6X85	
90mm					ACS4x90	ACS5X90	ACS6X90	
100mm					ACS4x100	ACS5X100	ACS6X100	
110mm					ACS4x110	ACS5X110	ACS6X110	
120mm						ACS5X120	ACS6X120	
130mm						ACS5X130	ACS6X130	
140mm						ACS5X140	ACS6X140	
150mm						ACS5X150	ACS6X150	
160mm						ACS5X160	ACS6x160	
170mm							ACS6x170	
180mm						ACS5X180	ACS6x180	
190mm						ACS5x190	ACS6x190	
200mm						ACS5X200	ACS6x200	
210mm						ACS5x210		
220mm						ACS5X220		

BLACK				
Ø	M8	M10	M12	M14
10mm	ACS8X10	ACS10X10		
12mm	ACS8X12	ACS10X12	ACS12X12	
16mm	ACS8X16	ACS10X16	ACS12X16	
20mm	ACS8X20	ACS10X20	ACS12X20	
25mm	ACS8X25	ACS10X25	ACS12X25	ACS14X25
30mm	ACS8X30	ACS10X30	ACS12X30	ACS14X30
35mm	ACS8X35	ACS10X35	ACS12X35	ACS14X35
40mm	ACS8X40	ACS10X40	ACS12X40	ACS14X40
45mm	ACS8X45	ACS10X45	ACS12X45	ACS14X45
50mm	ACS8X50	ACS10X50	ACS12X50	ACS14X50
55mm	ACS8X55	ACS10X55	ACS12X55	ACS14X55
60mm	ACS8X60	ACS10X60	ACS12X60	ACS14X60
65mm	ACS8X65	ACS10X65	ACS12X65	ACS14X65
70mm	ACS8X70	ACS10X70	ACS12X70	ACS14X70
75mm	ACS8X75	ACS10X75	ACS12X75	ACS14X75
80mm	ACS8X80	ACS10X80	ACS12X80	ACS14X80
85mm	ACS8x85	ACS10x85	ACS12x85	
90mm	ACS8X90	ACS10X90	ACS12X90	ACS14X90
100mm	ACS8X100	ACS10X100	ACS12X100	ACS14X100
110mm	ACS8X110	ACS10X110	ACS12X110	ACS14X110
120mm	ACS8X120	ACS10X120	ACS12X120	ACS14X120
125mm	ACS8X125			
130mm	ACS8X130	ACS10X130	ACS12X130	ACS14X130
140mm	ACS8X140	ACS10X140	ACS12X140	ACS14x140
150mm	ACS8X150	ACS10X150	ACS12X150	ACS14X150
160mm	ACS8X160	ACS10X160	ACS12X160	
170mm		ACS10X170		
180mm	ACS8X180	ACS10X180	ACS12X180	ACS14X180
190mm	ACS8x190	ACS10x190		
200mm	ACS8x200	ACS10X200	ACS12X200	ACS14X200
220mm	ACS8x220	ACS10X220	ACS12X220	ACS14x220
230mm		ACS10x230		
240mm		ACS10X240	ACS12X240	
250mm	ACS8x250	ACS10x250		ACS14x250
260mm		ACS10X260	ACS12X260	
280mm		ACS10X280	ACS12X280	
300mm	ACS8x300	ACS10X300	ACS12X300	ACS14x300
350mm		ACS10x350		





BLACK				
Ø	M16	M18	M20	M22
25mm	ACS16X25			
30mm	ACS16X30	ACS18x30	ACS20x30	
35mm	ACS16X35	ACS18x35	ACS20x35	
40mm	ACS16X40	ACS18x40	ACS20x40	ACS22x40
45mm	ACS16X45	ACS18x45	ACS20x45	ACS22x45
50mm	ACS16X50	ACS18x50	ACS20x50	ACS22x50
55mm	ACS16X55	ACS18x55	ACS20x55	ACS22x55
60mm	ACS16X60	ACS18x60	ACS20x60	ACS22x60
65mm	ACS16X65	ACS18x65	ACS20x65	ACS22x65
70mm	ACS16X70	ACS18x70	ACS20x70	ACS22x70
75mm	ACS16X75	ACS18x75	ACS20x75	ACS22x75
80mm	ACS16X80	ACS18x80	ACS20x80	ACS22x80
90mm	ACS16X90	ACS18x90	ACS20x90	ACS22x90
100mm	ACS16X100	ACS18x100	ACS20x100	ACS22x100
110mm	ACS16X110	ACS18x110	ACS20x110	ACS22x110
120mm	ACS16X120	ACS18x120	ACS20x120	ACS22x120
130mm	ACS16X130	ACS18x130	ACS20x130	ACS22x130
140mm	ACS16X140	ACS18x140	ACS20x140	ACS22x140
150mm	ACS16X150	ACS18x150	ACS20x150	ACS22x150
160mm	ACS16X160	ACS18x160	ACS20x160	ACS22x160
170mm		ACS18x170	ACS20x170	ACS22x170
180mm	ACS16X180	ACS18x180	ACS20x180	ACS22x180
190mm		ACS18x190	ACS20x190	ACS22x190
200mm	ACS16X200	ACS18x200	ACS20x200	ACS22x200
210mm			ACS20x210	
220mm	ACS16X220	ACS18x220	ACS20x220	ACS22x220
230mm			ACS20x230	ACS22x230
240mm	ACS16X240		ACS20x240	ACS22x240
250mm			ACS20x250	
260mm	ACS16X260	ACS18x260	ACS20x260	ACS22x260
270mm			ACS20x270	
280mm	ACS16X280	ACS18x280	ACS20x280	ACS22x280
300mm	ACS16X300	ACS18x300	ACS20x300	ACS22x300
320mm	ACS16x320		ACS20x320	
340mm	ACS16x340		ACS20x340	
350mm	ACS16x350		ACS20x350	
400mm	ACS16x400		ACS20x400	

BLACK						
Ø	M24	M27	M30	M36	M42	M48
40mm	ACS24x40					
45mm	ACS24x45					
50mm	ACS24x50	ACS27x50	ACS30x50			
55mm	ACS24x55					
60mm	ACS24x60	ACS27x60	ACS30x60			
65mm	ACS24x65					
70mm	ACS24x70	ACS27x70	ACS30x70	ACS36x70		
75mm	ACS24x75		ACS30x75	ACS36x75		
80mm	ACS24x80	ACS27x80	ACS30x80	ACS36x80	ACS42x80	
90mm	ACS24x90	ACS27x90	ACS30x90	ACS36x90	ACS42x90	
100mm	ACS24x100	ACS27x100	ACS30x100	ACS36x100	ACS42x100	ACS48x100
110mm	ACS24x110	ACS27x110	ACS30x110	ACS36x110	ACS42x110	ACS48x110
120mm	ACS24x120	ACS27x120	ACS30x120	ACS36x120	ACS42x120	ACS48x120
130mm	ACS24x130	ACS27x130	ACS30x130	ACS36x130	ACS42x130	
140mm	ACS24x140	ACS27x140	ACS30x140	ACS36x140	ACS42x140	ACS48x140
150mm	ACS24x150	ACS27x150	ACS30x150	ACS36x150	ACS42x150	ACS48x150
160mm	ACS24x160	ACS27x160	ACS30x160	ACS36x160	ACS42x160	ACS48x160
170mm	ACS24x170	ACS27x170	ACS30x170	ACS36x170		
180mm	ACS24x180	ACS27x180	ACS30x180	ACS36x180	ACS42x180	ACS48x180
190mm	ACS24x190	ACS27x190		ACS36x190		
200mm	ACS24x200	ACS27x200	ACS30x200	ACS36x200	ACS42x200	ACS48x200
210mm			ACS30x210	ACS36x210		
220mm	ACS24x220	ACS27x220	ACS30x220	ACS36x220	ACS42x220	
230mm	ACS24x230		ACS30x230			
240mm	ACS24x240	ACS27x240	ACS30x240	ACS36x240	ACS42x240	ACS48x240
250mm	ACS24x250		ACS30x250			
260mm	ACS24x260	ACS27x260	ACS30x260	ACS36x260	ACS42x260	ACS48x260
270mm	ACS24x270					
280mm	ACS24x280	ACS27x280	ACS30x280	ACS36x280	ACS42x280	
300mm	ACS24x300	ACS27x300	ACS30x300	ACS36x300	ACS42x300	ACS48x300
320mm	ACS24x320	ACS27x320	ACS30x320	ACS36x320	ACS42x320	
330mm	ACS24x330					
340mm	ACS24x340	ACS27x340	ACS30x340	ACS36x340	ACS42x340	
350mm	ACS24x350					ACS48x350
360mm	ACS24x360	ACS27x360	ACS30x360	ACS36x360	ACS42x360	
380mm		ACS27x380	ACS30x380	ACS36x380	ACS42x380	





BLACK				
Ø	M24	M30	M36	M42
400mm	ACS24x400	ACS30x400	ACS36x400	ACS42x400
420mm		ACS30x420		
450mm	ACS24x450			
500mm			ACS36x500	



ZINC				
Ø	M1.6	M2	M2.5	M3
3mm	ACS1.6x3Z	ACS2x3Z	ACS2.5x3Z	
4mm	ACS1.6x4Z	ACS2x4Z	ACS2.5x4Z	ACS3x4Z
5mm	ACS1.6x5Z	ACS2x5Z	ACS2.5x5Z	ACS3x5Z
6mm	ACS1.6x6Z	ACS2x6Z	ACS2.5x6Z	ACS3x6Z
8mm	ACS1.6x8Z	ACS2x8Z	ACS2.5x8Z	ACS3x8Z
10mm	ACS1.6x10Z	ACS2x10Z	ACS2.5x10Z	ACS3x10Z
12mm	ACS1.6x12Z	ACS2x12Z	ACS2.5x12Z	ACS3x12Z
14mm		ACS2x14Z	ACS2.5x14Z	ACS3x14Z
16mm		ACS2x16Z	ACS2.5x16Z	ACS3x16Z
18mm			ACS2.5x18Z	ACS3x18Z
20mm		ACS2x20Z	ACS2.5x20Z	ACS3x20Z
25mm		ACS2x25Z	ACS2.5x25Z	ACS3x25Z
30mm				ACS3x30Z
35mm				ACS3x35Z
40mm				ACS3x40Z
45mm				ACS3x45Z
50mm				ACS3x50Z
55mm				ACS3x55Z
60mm				ACS3x60Z
70mm				ACS3x70Z
75mm				ACS3x75Z
80mm				ACS3x80Z
90mm				ACS3x90Z



ZINC								
Ø	M4	M5	M6	M8	M10	M12	M14	M16
6mm	ACS4X6Z	ACS5X6Z	ACS6X6Z					
8mm	ACS4X8Z	ACS5X8Z	ACS6X8Z					
10mm	ACS4X10Z	ACS5X10Z	ACS6X10Z	ACS8X10Z				
12mm	ACS4X12Z	ACS5X12Z	ACS6X12Z	ACS8X12Z	ACS10X12Z			
16mm	ACS4X16Z	ACS5X16Z	ACS6X16Z	ACS8X16Z	ACS10X16Z			
20mm	ACS4X20Z	ACS5X20Z	ACS6X20Z	ACS8X20Z	ACS10X20Z	ACS12X20Z		
25mm	ACS4X25Z	ACS5X25Z	ACS6X25Z	ACS8X25Z	ACS10X25Z	ACS12X25Z	ACS14x25Z	ACS16X25Z
30mm	ACS4X30Z	ACS5X30Z	ACS6X30Z	ACS8X30Z	ACS10X30Z	ACS12X30Z	ACS14x30Z	ACS16X30Z
35mm	ACS4X35Z	ACS5X35Z	ACS6X35Z	ACS8X35Z	ACS10X35Z	ACS12X35Z	ACS14x35Z	ACS16X35Z
40mm	ACS4X40Z	ACS5X40Z	ACS6X40Z	ACS8X40Z	ACS10X40Z	ACS12X40Z	ACS14x40Z	ACS16X40Z
45mm	ACS4x45Z	ACS5X45Z	ACS6X45Z	ACS8X45Z	ACS10X45Z	ACS12X45Z	ACS14x45Z	ACS16X45Z
50mm	ACS4x50Z	ACS5X50Z	ACS6X50Z	ACS8X50Z	ACS10X50Z	ACS12X50Z	ACS14x50Z	ACS16X50Z
55mm	ACS4x55Z	ACS5X55Z	ACS6X55Z	ACS8X55Z	ACS10X55Z	ACS12X55Z	ACS14x55Z	ACS16X55Z
60mm	ACS4x60Z	ACS5X60Z	ACS6X60Z	ACS8X60Z	ACS10X60Z	ACS12X60Z	ACS14x60Z	ACS16X60Z
65mm	ACS4x65Z	ACS5X65Z	ACS6X65Z	ACS8X65Z	ACS10X65Z	ACS12X65Z	ACS14x65Z	ACS16x65Z
70mm	ACS4x70Z	ACS5X70Z	ACS6X70Z	ACS8X70Z	ACS10X70Z	ACS12X70Z	ACS14x70Z	ACS16x70Z
75mm	ACS4x75Z		ACS6X75Z	ACS8X75Z	ACS10X75Z	ACS12X75Z	ACS14x75Z	ACS16x75Z
80mm	ACS4x80Z	ACS5X80Z	ACS6X80Z	ACS8X80Z	ACS10X80Z	ACS12X80Z	ACS14x80Z	ACS16x80Z
85mm	ACS4x85Z						ACS14x85Z	ACS16x85Z
90mm	ACS4x90Z	ACS5X90Z	ACS6X90Z	ACS8X90Z	ACS10X90Z	ACS12X90Z	ACS14x90Z	ACS16x90Z
100mm	ACS4x100Z	ACS5x100Z	ACS6X100Z	ACS8X100Z	ACS10X100Z	ACS12X100Z	ACS14x100Z	ACS16x100Z
110mm	ACS4x110Z	ACS5x110Z	ACS6X110Z	ACS8X110Z	ACS10X110Z	ACS12X110Z	ACS14x110Z	ACS16x110Z
120mm		ACS5x120Z	ACS6X120Z	ACS8X120Z	ACS10X120Z	ACS12X120Z	ACS14x120Z	ACS16x120Z
130mm		ACS5x130Z	ACS6x130Z	ACS8X130Z	ACS10X130Z	ACS12X130Z	ACS14x130Z	ACS16x130Z
140mm		ACS5x140Z	ACS6x140Z	ACS8X140Z	ACS10X140Z	ACS12X140Z	ACS14x140Z	ACS16x140Z
145mm			ACS6x145Z					
150mm		ACS5x150Z	ACS6x150Z	ACS8X150Z	ACS10X150Z	ACS12X150Z	ACS14x150Z	ACS16x150Z
155mm			ACS6x155Z					
160mm		ACS5x160Z	ACS6x160Z	ACS8x160Z	ACS10x160Z	ACS12x160Z	ACS14x160Z	ACS16x160Z
165mm			ACS6x165Z					
170mm		ACS5x170Z	ACS6x170Z	ACS8x170Z	ACS10x170Z	ACS12x170Z		ACS16x170Z
175mm			ACS6x175Z					
180mm		ACS5x180Z	ACS6x180Z	ACS8x180Z	ACS10x180Z	ACS12x180Z		ACS16x180Z
185mm			ACS6x185Z					
190mm			ACS6x190Z	ACS8x190Z	ACS10x190Z	ACS12x190Z		
195mm			ACS6x195Z					
200mm		ACS5x200Z	ACS6x200Z	ACS8x200Z	ACS10x200Z	ACS12x200Z		ACS16x200Z



# METRIC SOCKET HEAD CAP SCREW

# METRIC SOCKET HEAD CAP SCREW



ZINC						
Ø	M6	M8	M10	M12	M14	M16
210mm	ACS6x210Z					
220mm		ACS8x220Z	ACS10x220Z	ACS12x220Z	ACS14x220Z	ACS16x220Z
230mm				ACS12x230Z		
240mm		ACS8x240Z	ACS10x240Z	ACS12x240Z		ACS16x240Z
250mm					ACS14x250Z	
260mm		ACS8x260Z	ACS10x260Z	ACS12x260Z		ACS16x260Z
280mm		ACS8x280Z	ACS10x280Z	ACS12x280Z		ACS16x280Z
300mm		ACS8x300Z	ACS10x300Z	ACS12x300Z		ACS16x300Z
340mm						ACS16x340Z
360mm						ACS16x360Z

ZINC								
Ø	M18	M20	M22	M24	M27	M30	M36	M42
30mm	ACS18x30Z	ACS20x30Z						
35mm	ACS18x35Z	ACS20x35Z						
40mm	ACS18x40Z	ACS20x40Z	ACS22x40Z	ACS24x40Z				
45mm	ACS18x45Z	ACS20x45Z	ACS22x45Z	ACS24x45Z				
50mm	ACS18x50Z	ACS20x50Z	ACS22x50Z	ACS24x50Z	ACS27x50Z	ACS30x50Z		
55mm	ACS18x55Z	ACS20x55Z	ACS22x55Z	ACS24x55Z				
60mm	ACS18x60Z	ACS20x60Z	ACS22x60Z	ACS24x60Z	ACS27x60Z	ACS30x60Z		
65mm	ACS18x65Z	ACS20x65Z	ACS22x65Z	ACS24x65Z				
70mm	ACS18x70Z	ACS20x70Z	ACS22x70Z	ACS24x70Z	ACS27x70Z	ACS30x70Z		
75mm	ACS18x75Z	ACS20x75Z	ACS22x75Z	ACS24x75Z		ACS30x75Z		
80mm	ACS18x80Z	ACS20x80Z	ACS22x80Z	ACS24x80Z	ACS27x80Z	ACS30x80Z		ACS42x80Z
90mm	ACS18x90Z	ACS20x90Z	ACS22x90Z	ACS24x90Z	ACS27x90Z	ACS30x90Z		ACS42x90Z
100mm	ACS18x100Z	ACS20x100Z	ACS22x100Z	ACS24x100Z	ACS27x100Z	ACS30x100Z	ACS36x100Z	ACS42x100Z
110mm	ACS18x110Z	ACS20x110Z	ACS22x110Z	ACS24x110Z	ACS27x110Z	ACS30x110Z	ACS36x110Z	ACS42x110Z
120mm	ACS18x120Z	ACS20x120Z	ACS22x120Z	ACS24x120Z	ACS27x120Z	ACS30x120Z	ACS36x120Z	ACS42x120Z
130mm	ACS18x130Z	ACS20x130Z	ACS22x130Z	ACS24x130Z	ACS27x130Z	ACS30x130Z	ACS36x130Z	ACS42x130Z
140mm	ACS18x140Z	ACS20x140Z	ACS22x140Z	ACS24x140Z	ACS27x140Z	ACS30x140Z	ACS36x140Z	ACS42x140Z
150mm	ACS18x150Z	ACS20x150Z	ACS22x150Z	ACS24x150Z	ACS27x150Z	ACS30x150Z	ACS36x150Z	ACS42x150Z
160mm	ACS18x160Z	ACS20x160Z	ACS22x160Z	ACS24x160Z	ACS27x160Z	ACS30x160Z	ACS36x160Z	ACS42x160Z
170mm		ACS20x170Z		ACS24x170Z	ACS27x170Z	ACS30x170Z	ACS36x170Z	ACS42x170Z
180mm	ACS18x180Z	ACS20x180Z	ACS22x180Z	ACS24x180Z	ACS27x180Z	ACS30x180Z	ACS36x180Z	ACS42x180Z
190mm		ACS20x190Z			ACS27x190Z		ACS36x190Z	
200mm	ACS18x200Z	ACS20x200Z	ACS22x200Z	ACS24x200Z	ACS27x200Z	ACS30x200Z	ACS36x200Z	ACS42x200Z

ZINC								
Ø	M18	M20	M22	M24	M27	M30	M36	M42
210mm						ACS30x210Z		
220mm	ACS18x220Z	ACS20x220Z	ACS22x220Z	ACS24x220Z	ACS27x220Z	ACS30x220Z	ACS36x220Z	ACS42x220Z
240mm		ACS20x240Z	ACS22x240Z	ACS24x240Z	ACS27x240Z	ACS30x240Z	ACS36x240Z	ACS42x240Z
260mm		ACS20x260Z	ACS22x260Z	ACS24x260Z	ACS27x260Z	ACS30x260Z	ACS36x260Z	ACS42x260Z
270mm				ACS24x270Z				
280mm		ACS20x280Z	ACS22x280Z	ACS24x280Z	ACS27x280Z	ACS30x280Z	ACS36x280Z	ACS42x280Z
300mm		ACS20x300Z	ACS22x300Z	ACS24x300Z	ACS27x300Z	ACS30x300Z	ACS36x300Z	ACS42x300Z
320mm		ACS20x320Z	ACS22x320Z	ACS24x320Z	ACS27x320Z	ACS30x320Z	ACS36x320Z	ACS42x320Z
340mm		ACS20x340Z	ACS22x340Z	ACS24x340Z	ACS27x340Z	ACS30x340Z	ACS36x340Z	ACS42x340Z
350mm				ACS24x350Z				
360mm					ACS27x360Z	ACS30x360Z	ACS36x360Z	ACS42x360Z
380mm					ACS27x380Z	ACS30x380Z	ACS36x380Z	ACS42x380Z
400mm					ACS27x400Z	ACS30x400Z	ACS36x400Z	ACS42x400Z
500mm								ACS42x500Z
550mm							ACS36x550Z	

304 STAINLESS				
Ø	M2	M2.5	M3	M4
3mm	ACS2X3A2			
4mm	ACS2X4A2	ACS2.5X4A2	ACS3X4A2	
5mm	ACS2X5A2	ACS2.5X5A2		
6mm	ACS2X6A2	ACS2.5X6A2	ACS3X6A2	ACS4X6A2
8mm	ACS2X8A2	ACS2.5X8A2	ACS3X8A2	ACS4X8A2
10mm	ACS2X10A2	ACS2.5X10A2	ACS3X10A2	ACS4X10A2
12mm	ACS2X12A2	ACS2.5X12A2	ACS3X12A2	ACS4X12A2
16mm	ACS2X16A2	ACS2.5X16A2	ACS3X16A2	ACS4X16A2
20mm	ACS2X20A2	ACS2.5X20A2	ACS3X20A2	ACS4X20A2
25mm	ACS2X25A2		ACS3X25A2	ACS4X25A2
30mm			ACS3X30A2	ACS4X30A2
35mm			ACS3X35A2	ACS4X35A2
40mm			ACS3X40A2	ACS4X40A2
45mm				ACS4X45A2
50mm			ACS3X50A2	ACS4X50A2
60mm				ACS4X60A2
70mm				ACS4X70A2



304 STAINLESS								
Ø	M5	M6	M8	M10	M12	M14	M16	M20
6mm	ACS5X6A2	ACS6X6A2						
8mm	ACS5X8A2	ACS6X8A2						
10mm	ACS5X10A2	ACS6X10A2	ACS8X10A2					
12mm	ACS5X12A2	ACS6X12A2	ACS8X12A2	ACS10X12A2				
16mm	ACS5X16A2	ACS6X16A2	ACS8X16A2	ACS10X16A2				
20mm	ACS5X20A2	ACS6X20A2	ACS8X20A2	ACS10X20A2	ACS12X20A2		ACS16X20A2	
25mm	ACS5X25A2	ACS6X25A2	ACS8X25A2	ACS10X25A2	ACS12X25A2		ACS16X25A2	
30mm	ACS5X30A2	ACS6X30A2	ACS8X30A2	ACS10X30A2	ACS12X30A2		ACS16X30A2	
35mm	ACS5X35A2	ACS6X35A2	ACS8X35A2	ACS10X35A2	ACS12X35A2		ACS16X35A2	
40mm	ACS5X40A2	ACS6X40A2	ACS8X40A2	ACS10X40A2	ACS12X40A2	ACS14X40A2	ACS16X40A2	
45mm	ACS5X45A2	ACS6X45A2	ACS8X45A2	ACS10X45A2	ACS12X45A2		ACS16X45A2	
50mm	ACS5X50A2	ACS6X50A2	ACS8X50A2	ACS10X50A2	ACS12X50A2	ACS14X50A2	ACS16X50A2	ACS20X50A2
55mm		ACS6X55A2	ACS8X55A2	ACS10X55A2			ACS16X55A2	
60mm	ACS5X60A2	ACS6X60A2	ACS8X60A2	ACS10X60A2	ACS12X60A2		ACS16X60A2	
65mm		ACS6X65A2	ACS8X65A2	ACS10X65A2			ACS16X65A2	
70mm	ACS5X70A2	ACS6X70A2	ACS8X70A2	ACS10X70A2	ACS12X70A2		ACS16X70A2	
75mm		ACS6X75A2	ACS8X75A2		ACS12X75A2			
80mm	ACS5X80A2	ACS6X80A2	ACS8X80A2	ACS10X80A2	ACS12X80A2		ACS16X80A2	ACS20X80A2
90mm		ACS6X90A2	ACS8X90A2	ACS10X90A2	ACS12X90A2		ACS16X90A2	
100mm		ACS6X100A2	ACS8X100A2	ACS10X100A2	ACS12X100A2		ACS16X100A2	ACS20X100A2
110mm			ACS8X110A2	ACS10X110A2	ACS12X110A2			
120mm			ACS8X120A2	ACS10X120A2	ACS12X120A2			
130mm			ACS8X130A2	ACS10X130A2				
140mm				ACS10X140A2	ACS12X140A2			
150mm			ACS8X150A2	ACS10X150A2	ACS12X150A2			ACS20X150A2
160mm			ACS8X160A2					
180mm					ACS12X180A2			ACS20X180A2



316 STAINLESS						
Ø	M2	M2.5	M3	M4	M5	M6
4mm	ACS2X4A4	ACS2.5X4A4	ACS3X4A4			
5mm		ACS2.5X5A4	ACS3X5A4			
6mm	ACS2X6A4	ACS2.5X6A4	ACS3X6A4	ACS4X6A4		
8mm	ACS2X8A4	ACS2.5X8A4	ACS3X8A4	ACS4X8A4	ACS5X8A4	ACS6X8A4
10mm	ACS2X10A4	ACS2.5X10A4	ACS3X10A4	ACS4X10A4	ACS5X10A4	ACS6X10A4
12mm	ACS2X12A4	ACS2.5X12A4	ACS3X12A4	ACS4X12A4	ACS5X12A4	ACS6X12A4
16mm	ACS2X16A4		ACS3X16A4	ACS4X16A4	ACS5X16A4	ACS6X16A4
20mm	ACS2X20A4		ACS3X20A4	ACS4X20A4	ACS5X20A4	ACS6X20A4
25mm			ACS3X25A4	ACS4X25A4	ACS5X25A4	ACS6X25A4
30mm			ACS3X30A4	ACS4X30A4	ACS5X30A4	ACS6X30A4
35mm			ACS3X35A4	ACS4X35A4	ACS5X35A4	ACS6X35A4
40mm			ACS3X40A4	ACS4X40A4	ACS5X40A4	ACS6X40A4
45mm				ACS4X45A4	ACS5X45A4	ACS6X45A4
50mm			ACS3X50A4	ACS4X50A4	ACS5X50A4	ACS6X50A4
55mm						ACS6X55A4
60mm				ACS4X60A4	ACS5X60A4	ACS6X60A4
65mm						ACS6X65A4
70mm				ACS4X70A4	ACS5X70A4	ACS6X70A4
75mm						ACS6X75A4
80mm					ACS5X80A4	ACS6X80A4
90mm					ACS5X90A4	ACS6X90A4
100mm					ACS5X100A4	ACS6X100A4
110mm						ACS6X110A4
120mm						ACS6X120A4
130mm						ACS6X130A4
140mm						ACS6X140A4

## Colour Coat Your Job with FDG

Talk to FDG about a colour match for your fasteners. With a wide range of colours of your choice, so you can get a great match on your project.







# METRIC SOCKET HEAD CAP SCREW

# IMPERIAL SOCKET HEAD CAP SCREW



316 STAINLESS							
Ø	M8	M10	M12	M14	M16	M20	M24
10mm	ACS8X10A4						
12mm	ACS8X12A4						
16mm	ACS8X16A4	ACS10X16A4	ACS12X16A4				
20mm	ACS8X20A4	ACS10X20A4	ACS12X20A4				
25mm	ACS8X25A4	ACS10X25A4	ACS12X25A4	ACS14X25A4	ACS16X25A4		
30mm	ACS8X30A4	ACS10X30A4	ACS12X30A4	ACS14X30A4	ACS16X30A4		
35mm	ACS8X35A4	ACS10X35A4	ACS12X35A4	ACS14X35A4	ACS16X35A4		
40mm	ACS8X40A4	ACS10X40A4	ACS12X40A4	ACS14X40A4	ACS16X40A4	ACS20X40A4	
45mm	ACS8X45A4	ACS10X45A4	ACS12X45A4	ACS14X45A4	ACS16X45A4	ACS20X45A4	ACS24X45A4
50mm	ACS8X50A4	ACS10X50A4	ACS12X50A4	ACS14X50A4	ACS16X50A4	ACS20X50A4	
55mm	ACS8X55A4	ACS10X55A4				ACS20X55A4	
60mm	ACS8X60A4	ACS10X60A4	ACS12X60A4	ACS14X60A4	ACS16X60A4	ACS20X60A4	ACS24X60A4
65mm	ACS8X65A4	ACS10X65A4	ACS12X65A4		ACS16X65A4		ACS24X65A4
70mm	ACS8X70A4	ACS10X70A4	ACS12X70A4	ACS14X70A4	ACS16X70A4	ACS20X70A4	ACS24X70A4
75mm	ACS8X75A4	ACS10X75A4	ACS12X75A4		ACS16X75A4		ACS24X75A4
80mm	ACS8X80A4	ACS10X80A4	ACS12X80A4	ACS14X80A4	ACS16X80A4	ACS20X80A4	ACS24X80A4
90mm	ACS8X90A4	ACS10X90A4	ACS12X90A4	ACS14X90A4	ACS16X90A4	ACS20X90A4	
100mm	ACS8X100A4	ACS10X100A4	ACS12X100A4	ACS14X100A4	ACS16X100A4	ACS20X100A4	ACS24X100A4
110mm	ACS8X110A4	ACS10X110A4	ACS12X110A4		ACS16X110A4	ACS20X110A4	
120mm	ACS8X120A4	ACS10X120A4	ACS12X120A4	ACS14X120A4	ACS16X120A4	ACS20X120A4	ACS24X120A4
130mm	ACS8X130A4	ACS10X130A4	ACS12X130A4		ACS16X130A4	ACS20X130A4	
140mm	ACS8X140A4	ACS10X140A4	ACS12X140A4		ACS16X140A4	ACS20X140A4	ACS24X140A4
150mm	ACS8X150A4	ACS10X150A4	ACS12X150A4		ACS16X150A4	ACS20X150A4	
160mm	ACS8X160A4	ACS10X160A4	ACS12X160A4				ACS24X160A4
170mm		ACS10X170A4					
180mm			ACS12X180A4				
200mm			ACS12X200A4				



BLACK UNC							
Ø	#6	#8	3/16"	#10	1/4"	5/16"	3/8"
1/4"	ACSC#6X1/4		ACSC3/16X1/4	ACSC#10X1/4			
3/8"	ACSC#6X3/8	ACSC#8X3/8	ACSC3/16X3/8	ACSC#10X3/8	ACSC1/4X3/8	ACSC5/16X3/8	
1/2"	ACSC#6X1/2	ACSC#8X1/2	ACSC3/16X1/2	ACSC#10X1/2	ACSC1/4X1/2	ACSC5/16X1/2	ACSC3/8X1/2
5/8"	ACSC#6X5/8	ACSC#8X5/8	ACSC3/16X5/8	ACSC#10X5/8	ACSC1/4X5/8	ACSC5/16X5/8	ACSC3/8X5/8
3/4"	ACSC#6X3/4	ACSC#8X3/4	ACSC3/16X3/4	ACSC#10X3/4	ACSC1/4X3/4	ACSC5/16X3/4	ACSC3/8X3/4
1"	ACSC#6X1	ACSC#8X1	ACSC3/16X1	ACSC#10X1	ACSC1/4X1	ACSC5/16X1	ACSC3/8X1
1-1/4"		ACSC#8X1-1/4	ACSC3/16X1-1/4	ACSC#10X1-1/4	ACSC1/4X1-1/4	ACSC5/16X1-1/4	ACSC3/8X1-1/4
1-1/2"		ACSC#8X1-1/2	ACSC3/16X1-1/2	ACSC#10X1-1/2	ACSC1/4X1-1/2	ACSC5/16X1-1/2	ACSC3/8X1-1/2
1-3/4"			ACSC3/16X1-3/4	ACSC#10X1-3/4	ACSC1/4X1-3/4	ACSC5/16X1-3/4	ACSC3/8X1-3/4
2"			ACSC3/16X2	ACSC#10X2	ACSC1/4X2	ACSC5/16X2	ACSC3/8X2
2-1/4"					ACSC1/4X2-1/4	ACSC5/16X2-1/4	ACSC3/8X2-1/4
2-1/2"			ACSC3/16X2-1/2	ACSC#10X2-1/2	ACSC1/4X2-1/2	ACSC5/16X2-1/2	ACSC3/8X2-1/2
2-3/4"					ACSC1/4X2-3/4	ACSC5/16X2-3/4	ACSC3/8X2-3/4
3"			ACSC3/16X3		ACSC1/4X3	ACSC5/16X3	ACSC3/8X3
3-1/4"					ACSC1/4X3-1/4	ACSC5/16X3-1/4	ACSC3/8X3-1/4
3-1/2"					ACSC1/4X3-1/2	ACSC5/16X3-1/2	ACSC3/8X3-1/2
4"					ACSC1/4X4	ACSC5/16X4	ACSC3/8X4
4-1/2"							ACSC3/8X4-1/2
5"							ACSC3/8X5
6"							ACSC3/8X6
6-1/2"						ACSC5/16X6-1/2	

CHECK OUT OUR WIDE RANGE OF **HEX DRIVER BITS** ON PAGE 312





BLACK UNC							
Ø	1/2"	5/8"	3/4"	7/8"	1"	1-1/4"	1-1/2"
5/8"	ACSC1/2X5/8						
3/4"	ACSC1/2X3/4						
1"	ACSC1/2X1	ACSC5/8X1					
1-1/4"	ACSC1/2X1-1/4	ACSC5/8X1-1/4	ACSC3/4X1-1/4				
1-1/2"	ACSC1/2X1-1/2	ACSC5/8X1-1/2	ACSC3/4X1-1/2				
1-3/4"	ACSC1/2X1-3/4	ACSC5/8X1-3/4	ACSC3/4X1-3/4				
2"	ACSC1/2X2	ACSC5/8X2	ACSC3/4X2	ACSC7/8X2	ACSC1X2		
2-1/4"	ACSC1/2X2-1/4	ACSC5/8X2-1/4	ACSC3/4X2-1/4				
2-1/2"	ACSC1/2X2-1/2	ACSC5/8X2-1/2	ACSC3/4X2-1/2	ACSC7/8X2-1/2	ACSC1X2-1/2	ACSC1-1/4X2-1/2	
2-3/4"	ACSC1/2X2-3/4	ACSC5/8X2-3/4	ACSC3/4X2-3/4				
3"	ACSC1/2X3	ACSC5/8X3	ACSC3/4X3	ACSC7/8X3	ACSC1X3	ACSC1-1/4X3	ACSC1-1/2X3
3-1/4"	ACSC1/2X3-1/4						
3-1/2"	ACSC1/2X3-1/2	ACSC5/8X3-1/2	ACSC3/4X3-1/2	ACSC7/8X3-1/2	ACSC1X3-1/2	ACSC1-1/4X3-1/2	ACSC1-1/2X3-1/2
4"	ACSC1/2X4	ACSC5/8X4	ACSC3/4X4	ACSC7/8X4	ACSC1X4	ACSC1-1/4X4	ACSC1-1/2X4
4-1/2"	ACSC1/2X4-1/2	ACSC5/8X4-1/2	ACSC3/4X4-1/2		ACSC1X4-1/2	ACSC1-1/4X4-1/2	ACSC1-1/2X4-1/2
5"	ACSC1/2X5	ACSC5/8X5	ACSC3/4X5	ACSC7/8X5	ACSC1X5	ACSC1-1/4X5	ACSC1-1/2X5
5-1/2"	ACSC1/2X5-1/2	ACSC5/8X5-1/2	ACSC3/4X5-1/2				
6"	ACSC1/2X6	ACSC5/8X6	ACSC3/4X6	ACSC7/8X6	ACSC1X6	ACSC1-1/4X6	ACSC1-1/2X6
6-1/2"	ACSC1/2X6-1/2		ACSC3/4X6-1/2				
7"	ACSC1/2X7	ACSC5/8X7	ACSC3/4X7	ACSC7/8X7	ACSC1X7	ACSC1-1/4X7	ACSC1-1/2X7
8"	ACSC1/2X8	ACSC5/8X8	ACSC3/4X8		ACSC1X8	ACSC1-1/4X8	ACSC1-1/2X8
9"		ACSC5/8X9	ACSC3/4X9		ACSC1X9	ACSC1-1/4X9	ACSC1-1/2X9
10"		ACSC5/8X10	ACSC3/4X10		ACSC1X10	ACSC1-1/4X10	ACSC1-1/2X10

BLACK UNF					
Ø	3/16"	#10	1/4"	5/16"	3/8"
3/8"	ACSF3/16X3/8	ACSF#10X3/8	ACSF1/4X3/8		
1/2"	ACSF3/16X1/2	ACSF#10X1/2	ACSF1/4X1/2	ACSF5/16X1/2	ACSF3/8X1/2
5/8"	ACSF3/16X5/8	ACSF#10X5/8	ACSF1/4X5/8	ACSF5/16X5/8	ACSF3/8X5/8
3/4"	ACSF3/16X3/4	ACSF#10X3/4	ACSF1/4X3/4	ACSF5/16X3/4	ACSF3/8X3/4
1"	ACSF3/16X1	ACSF#10X1	ACSF1/4X1	ACSF5/16X1	ACSF3/8X1
1-1/4"	ACSF3/16X1-1/4	ACSF#10X1-1/4	ACSF1/4X1-1/4	ACSF5/16X1-1/4	ACSF3/8X1-1/4
1-1/2"	ACSF3/16X1-1/2	ACSF#10X1-1/2	ACSF1/4X1-1/2	ACSF5/16X1-1/2	ACSF3/8X1-1/2
1-3/4"	ACSF3/16X1-3/4	ACSF#10X1-3/4	ACSF1/4X1-3/4	ACSF5/16X1-3/4	ACSF3/8X1-3/4
2"	ACSF3/16X2	ACSF#10X2	ACSF1/4X2	ACSF5/16X2	ACSF3/8X2
2-1/4"			ACSF1/4X2-1/4	ACSF5/16X2-1/4	ACSF3/8X2-1/4
2-1/2"			ACSF1/4X2-1/2	ACSF5/16X2-1/2	ACSF3/8X2-1/2
3"			ACSF1/4X3	ACSF5/16X3	ACSF3/8X3

BLACK UNF				
Ø	7/16"	1/2"	5/8"	3/4"
1"	ACSF7/16X1	ACSF1/2X1		
1-1/4"	ACSF7/16X1-1/4	ACSF1/2X1-1/4	ACSF5/8X1-1/4	
1-1/2"	ACSF7/16X1-1/2	ACSF1/2X1-1/2	ACSF5/8X1-1/2	ACSF3/4X1-1/2
1-3/4"		ACSF1/2X1-3/4		
2"	ACSF7/16X2	ACSF1/2X2	ACSF5/8X2	ACSF3/4X2
2-1/4"		ACSF1/2X2-1/4		
2-1/2"	ACSF7/16X2-1/2	ACSF1/2X2-1/2	ACSF5/8X2-1/2	ACSF3/4X2-1/2
3"	ACSF7/16X3	ACSF1/2X3	ACSF5/8X3	ACSF3/4X3
3-1/2"	ACSF7/16X3-1/2	ACSF1/2X3-1/2	ACSF5/8X3-1/2	ACSF3/4X3-1/2
4"		ACSF1/2X4	ACSF5/8X4	ACSF3/4X4
5"		ACSF1/2X5	ACSF5/8X5	
5-1/2"			ACSF5/8X5-1/2	





ZINC UNC				
Ø	1/4"	5/16"	3/8"	1/2"
1/2"	ACSC1/4X1/2Z			
3/4"	ACSC1/4X3/4Z	ACSC5/16X3/4Z	ACSC3/8X3/4Z	
1"	ACSC1/4X1Z	ACSC5/16X1Z	ACSC3/8X1Z	ACSC1/2X1Z
1-1/4"	ACSC1/4X1-1/4Z	ACSC5/16X1-1/4Z	ACSC3/8X1-1/4Z	ACSC1/2X1-1/4Z
1-1/2"	ACSC1/4X1-1/2Z	ACSC5/16X1-1/2Z	ACSC3/8X1-1/2Z	ACSC1/2X1-1/2Z
1-3/4"	ACSC1/4X1-3/4Z	ACSC5/16X1-3/4Z		ACSC1/2X1-3/4Z
2"	ACSC1/4X2Z	ACSC5/16X2Z	ACSC3/8X2Z	ACSC1/2X2Z
2-1/2"				ACSC1/2X2-1/2Z



BLACK BSW		
Ø	1/8"	1/2"
3/8"	ACSW1/8X3/8	
1/2"	ACSW1/8X1/2	
5/8"	ACSW1/8X5/8	
3/4"	ACSW1/8X3/4	ACSW1/2X3/4
1"	ACSW1/8X1	ACSW1/2X1
1-1/4"		ACSW1/2X1-1/4
1-1/2"		ACSW1/2X1-1/2
1-3/4"		ACSW1/2X1-3/4
2"		ACSW1/2X2
2-1/4"		ACSW1/2X2-1/4
2-1/2"		ACSW1/2X2-1/2
2-3/4"		ACSW1/2X2-3/4
3"		ACSW1/2X3
3-1/2"		ACSW1/2X3-1/2
4"		ACSW1/2X4
4-1/2"		ACSW1/2X4-1/2
5"		ACSW1/2X5
5-1/2"		ACSW1/2X5-1/2
6"		ACSW1/2X6
7"		ACSW1/2X7
8"		ACSW1/2X8



304 STAINLESS UNC							
Ø	3/16"	1/4"	5/16"	3/8"	1/2"	5/8"	3/4"
3/8"	ACSC3/16X3/8A2						
1/2"	ACSC3/16X1/2A2	ACSC1/4X1/2A2	ACSC5/16X1/2A2				
5/8"	ACSC3/16X5/8A2	ACSC1/4X5/8A2	ACSC5/16X5/8A2				
3/4"	ACSC3/16X3/4A2	ACSC1/4X3/4A2	ACSC5/16X3/4A2	ACSC3/8X3/4A2	ACSC1/2X3/4A2		
1"	ACSC3/16X1A2	ACSC1/4X1A2	ACSC5/16X1A2	ACSC3/8X1A2	ACSC1/2X1A2	ACSC5/8X1A2	
1-1/4"	ACSC3/16X1-1/4A2	ACSC1/4X1-1/4A2	ACSC5/16X1-1/4A2	ACSC3/8X1-1/4A2	ACSC1/2X1-1/4A2	ACSC5/8X1-1/4A2	
1-1/2"	ACSC3/16X1-1/2A2	ACSC1/4X1-1/2A2	ACSC5/16X1-1/2A2	ACSC3/8X1-1/2A2	ACSC1/2X1-1/2A2	ACSC5/8X1-1/2A2	ACSC3/4X1-1/2A2
2"	ACSC3/16X2A2	ACSC1/4X2A2	ACSC5/16X2A2	ACSC3/8X2A2	ACSC1/2X2A2	ACSC5/8X2A2	ACSC3/4X2A2
2-1/2"		ACSC1/4X2-1/2A2	ACSC5/16X2-1/2A2	ACSC3/8X2-1/2A2	ACSC1/2X2-1/2A2	ACSC5/8X2-1/2A2	ACSC3/4X2-1/2A2
3"		ACSC1/4X3A2	ACSC5/16X3A2	ACSC3/8X3A2	ACSC1/2X3A2	ACSC5/8X3A2	ACSC3/4X3A2
3-1/2"		ACSC1/4X3-1/2A2		ACSC3/8X3-1/2A2			
4"		ACSC1/4X4A2	ACSC5/16X4A2	ACSC3/8X4A2	ACSC1/2X4A2	ACSC5/8X4A2	



304 STAINLESS UNF						
Ø	3/16"	1/4"	5/16"	3/8"	7/16"	1/2"
3/8"	ACSF3/16X3/8A2	ACSF1/4X3/8A2				
1/2"	ACSF3/16X1/2A2	ACSF1/4X1/2A2				
5/8"	ACSF3/16X5/8A2	ACSF1/4X5/8A2				
3/4"	ACSF3/16X3/4A2	ACSF1/4X3/4A2	ACSF5/16X3/4A2	ACSF3/8X3/4A2		
1"	ACSF3/16X1A2	ACSF1/4X1A2	ACSF5/16X1A2	ACSF3/8X1A2	ACSF7/16X1A2	ACSF1/2X1A2
1-1/4"	ACSF3/16X1-1/4A2	ACSF1/4X1-1/4A2	ACSF5/16X1-1/4A2	ACSF3/8X1-1/4A2		ACSF1/2X1-1/4A2
1-1/2"	ACSF3/16X1-1/2A2	ACSF1/4X1-1/2A2	ACSF5/16X1-1/2A2	ACSF3/8X1-1/2A2	ACSF7/16X1-1/2A2	ACSF1/2X1-1/2A2
2"	ACSF3/16X2A2	ACSF1/4X2A2	ACSF5/16X2A2	ACSF3/8X2A2	ACSF7/16X2A2	ACSF1/2X2A2
2-1/2"		ACSF1/4X2-1/2A2	ACSF5/16X2-1/2A2	ACSF3/8X2-1/2A2		ACSF1/2X2-1/2A2
3"			ACSF5/16X3A2			ACSF1/2X3A2

**“ SPECIALIST SUPPORT,  
TAILORED TO YOUR  
BUSINESS ”**

[www.fdgnc.com](http://www.fdgnc.com)





BLACK							
Ø	M2	M2.5	M3	M4	M5	M6	M8
4mm	AFH2x4	AFH2.5x4					
5mm	AFH2x5	AFH2.5x5	AFH3x5				
6mm	AFH2x6	AFH2.5x6	AFH3x6	AFH4x6			
8mm	AFH2x8	AFH2.5x8	AFH3x8	AFH4x8	AFH5x8	AFH6x8	
10mm	AFH2x10	AFH2.5x10	AFH3x10	AFH4x10	AFH5x10	AFH6x10	AFH8x10
12mm	AFH2x12	AFH2.5x12	AFH3x12	AFH4x12	AFH5x12	AFH6x12	AFH8x12
16mm	AFH2x16	AFH2.5x16	AFH3x16	AFH4x16	AFH5x16	AFH6x16	AFH8x16
20mm		AFH2.5x20	AFH3x20	AFH4x20	AFH5x20	AFH6x20	AFH8x20
25mm		AFH2.5x25	AFH3x25	AFH4x25	AFH5x25	AFH6x25	AFH8x25
30mm			AFH3x30	AFH4x30	AFH5x30	AFH6x30	AFH8x30
35mm			AFH3x35	AFH4x35	AFH5x35	AFH6x35	AFH8x35
40mm			AFH3x40	AFH4x40	AFH5x40	AFH6x40	AFH8x40
45mm			AFH3x45	AFH4x45	AFH5x45	AFH6x45	AFH8x45
50mm			AFH3x50	AFH4x50	AFH5x50	AFH6x50	AFH8x50
55mm				AFH4x55	AFH5x55	AFH6x55	AFH8x55
60mm				AFH4x60	AFH5x60	AFH6x60	AFH8x60
65mm					AFH5x65	AFH6x65	AFH8x65
70mm				AFH4x70	AFH5x70	AFH6x70	AFH8x70
75mm						AFH6x75	AFH8x75
80mm					AFH5x80	AFH6x80	AFH8x80
85mm							AFH8x85
90mm					AFH5x90	AFH6x90	AFH8x90
100mm					AFH5x100	AFH6x100	AFH8x100
110mm						AFH6x110	AFH8x110
120mm						AFH6x120	AFH8x120
130mm						AFH6x130	AFH8x130
140mm							AFH8x140
150mm						AFH6x150	AFH8x150



BLACK							
Ø	M10	M12	M14	M16	M20	M24	M30
12mm	AFH10X12						
16mm	AFH10X16						
20mm	AFH10X20	AFH12X20					
25mm	AFH10X25	AFH12X25	AFH14x25				
30mm	AFH10X30	AFH12X30	AFH14x30	AFH16X30	AFH20x30		
35mm	AFH10X35	AFH12X35	AFH14x35	AFH16X35	AFH20x35		
40mm	AFH10X40	AFH12X40	AFH14x40	AFH16X40	AFH20x40		
45mm	AFH10X45	AFH12X45	AFH14x45	AFH16X45	AFH20x45		
50mm	AFH10X50	AFH12X50	AFH14x50	AFH16X50	AFH20x50	AFH24x50	
55mm	AFH10X55	AFH12X55	AFH14x55	AFH16X55	AFH20x55		
60mm	AFH10X60	AFH12X60	AFH14x60	AFH16X60	AFH20x60	AFH24x60	
65mm			AFH14x65		AFH20x65		
70mm	AFH10X70	AFH12X70	AFH14x70	AFH16X70	AFH20x70	AFH24x70	
75mm					AFH20x75		
80mm	AFH10X80	AFH12X80	AFH14x80	AFH16X80	AFH20x80	AFH24x80	AFH30x80
90mm	AFH10X90	AFH12X90	AFH14x90	AFH16X90	AFH20x90	AFH24x90	
100mm	AFH10X100	AFH12X100	AFH14x100	AFH16x100	AFH20x100	AFH24x100	AFH30x100
110mm	AFH10X110	AFH12x110		AFH16x110	AFH20x110	AFH24x110	
120mm	AFH10X120	AFH12x120		AFH16x120	AFH20x120	AFH24x120	AFH30x120
130mm	AFH10x130	AFH12x130	AFH14x130	AFH16x130	AFH20x130	AFH24x130	
140mm	AFH10x140	AFH12x140		AFH16x140	AFH20x140	AFH24x140	
150mm	AFH10X150	AFH12x150		AFH16x150	AFH20x150	AFH24x150	AFH30x150
160mm		AFH12x160		AFH16x160	AFH20x160	AFH24x160	
170mm					AFH20x170		
180mm		AFH12x180		AFH16x180	AFH20x180	AFH24x180	
200mm		AFH12x200		AFH16x200	AFH20x200	AFH24x200	
220mm		AFH12x220		AFH16x220	AFH20x220	AFH24x220	
240mm				AFH16x240	AFH20x240	AFH24x240	



ZINC							
Ø	M2	M2.5	M3	M4	M5	M6	M8
4mm	AFH2X4Z	AFH2.5X4Z					
5mm	AFH2X5Z	AFH2.5X5Z	AFH3X5Z	AFH4X5Z			
6mm	AFH2X6Z	AFH2.5X6Z	AFH3X6Z	AFH4X6Z			
8mm	AFH2X8Z	AFH2.5X8Z	AFH3X8Z	AFH4X8Z	AFH5X8Z	AFH6X8Z	
10mm	AFH2X10Z	AFH2.5X10Z	AFH3X10Z	AFH4X10Z	AFH5X10Z	AFH6X10Z	AFH8X10Z
12mm	AFH2X12Z	AFH2.5X12Z	AFH3X12Z	AFH4X12Z	AFH5X12Z	AFH6X12Z	AFH8X12Z
16mm	AFH2X16Z	AFH2.5X16Z	AFH3X16Z	AFH4X16Z	AFH5X16Z	AFH6X16Z	AFH8X16Z
20mm		AFH2.5X20Z	AFH3X20Z	AFH4X20Z	AFH5X20Z	AFH6X20Z	AFH8X20Z
25mm			AFH3X25Z	AFH4X25Z	AFH5X25Z	AFH6X25Z	AFH8X25Z
30mm			AFH3X30Z	AFH4X30Z	AFH5X30Z	AFH6X30Z	AFH8X30Z
35mm			AFH3X35Z	AFH4X35Z	AFH5X35Z	AFH6X35Z	AFH8X35Z
40mm			AFH3X40Z	AFH4X40Z	AFH5X40Z	AFH6X40Z	AFH8X40Z
45mm			AFH3X45Z	AFH4X45Z			AFH8X45Z
50mm				AFH4X50Z	AFH5X50Z	AFH6X50Z	AFH8X50Z
55mm				AFH4X55Z	AFH5X55Z		
60mm				AFH4X60Z	AFH5X60Z	AFH6X60Z	AFH8X60Z
65mm					AFH5X65Z		AFH8X65Z
70mm				AFH4X70Z	AFH5X70Z		AFH8X70Z
75mm							AFH8X75Z
80mm					AFH5X80Z	AFH6X80Z	AFH8X80Z
85mm						AFH6X85Z	AFH8X85Z
90mm					AFH5X90Z	AFH6X90Z	AFH8X90Z
100mm					AFH5X100Z	AFH6X100Z	AFH8X100Z
110mm						AFH6X110Z	AFH8X110Z
120mm						AFH6X120Z	AFH8X120Z
140mm							AFH8X140Z
150mm							AFH8X150Z
160mm							AFH8X160Z

ZINC						
Ø	M10	M12	M14	M16	M20	M24
16mm	AFH10X16Z					
20mm	AFH10X20Z	AFH12X20Z		AFH16X20Z		
25mm	AFH10X25Z	AFH12X25Z	AFH14X25Z	AFH16X25Z		
30mm	AFH10X30Z	AFH12X30Z	AFH14X30Z	AFH16X30Z	AFH20X30Z	
35mm	AFH10X35Z	AFH12X35Z	AFH14X35Z	AFH16X35Z	AFH20X35Z	
40mm	AFH10X40Z	AFH12X40Z	AFH14X40Z	AFH16X40Z	AFH20X40Z	AFH24X40Z
45mm	AFH10X45Z		AFH14X45Z	AFH16X45Z	AFH20X45Z	
50mm	AFH10X50Z	AFH12X50Z	AFH14X50Z	AFH16X50Z	AFH20X50Z	AFH24X50Z
55mm	AFH10X55Z	AFH12X55Z	AFH14X55Z	AFH16X55Z	AFH20X55Z	AFH24X55Z
60mm	AFH10X60Z	AFH12X60Z	AFH14X60Z	AFH16X60Z	AFH20X60Z	AFH24X60Z
65mm			AFH14X65Z	AFH16X65Z	AFH20X65Z	
70mm	AFH10X70Z	AFH12X70Z	AFH14X70Z	AFH16X70Z	AFH20X70Z	AFH24X70Z
75mm				AFH16X75Z	AFH20X75Z	AFH24X75Z
80mm	AFH10X80Z	AFH12X80Z	AFH14X80Z	AFH16X80Z	AFH20X80Z	AFH24X80Z
85mm					AFH20X85Z	
90mm	AFH10X90Z	AFH12X90Z	AFH14X90Z	AFH16X90Z	AFH20X90Z	AFH24X90Z
100mm	AFH10X100Z	AFH12X100Z	AFH14X100Z	AFH16X100Z	AFH20X100Z	AFH24X100Z
110mm	AFH10X110Z	AFH12X110Z		AFH16X110Z	AFH20X110Z	AFH24X110Z
120mm	AFH10X120Z	AFH12X120Z		AFH16X120Z	AFH20X120Z	AFH24X120Z
125mm						AFH24X125Z
130mm	AFH10X130Z		AFH14X130Z	AFH16X130Z	AFH20X130Z	AFH24X130Z
140mm	AFH10X140Z	AFH12X140Z		AFH16X140Z	AFH20X140Z	AFH24X140Z
150mm		AFH12X150Z		AFH16X150Z	AFH20X150Z	AFH24X150Z
160mm				AFH16X160Z	AFH20X160Z	AFH24X160Z
180mm				AFH16X180Z	AFH20X180Z	AFH24X180Z
200mm				AFH16X200Z	AFH20X200Z	AFH24X200Z
220mm				AFH16X220Z	AFH20X220Z	AFH24X220Z
240mm				AFH16X240Z	AFH20X240Z	AFH24X240Z



304 STAINLESS								
Ø	M2	M4	M5	M6	M8	M10	M12	M16
5mm	AFH3X5A2							
6mm	AFH3X6A2	AFH4X6A2						
8mm	AFH3X8A2	AFH4X8A2	AFH5X8A2	AFH6X8A2				
10mm	AFH3X10A2	AFH4X10A2	AFH5X10A2	AFH6X10A2				
12mm	AFH3X12A2	AFH4X12A2	AFH5X12A2	AFH6X12A2	AFH8X12A2			
16mm	AFH3X16A2	AFH4X16A2	AFH5X16A2	AFH6X16A2	AFH8X16A2	AFH10X16A2		
20mm	AFH3X20A2	AFH4X20A2	AFH5X20A2	AFH6X20A2	AFH8X20A2	AFH10X20A2	AFH12X20A2	
25mm	AFH3X25A2	AFH4X25A2	AFH5X25A2	AFH6X25A2	AFH8X25A2	AFH10X25A2	AFH12X25A2	
30mm	AFH3X30A2	AFH4X30A2	AFH5X30A2	AFH6X30A2	AFH8X30A2	AFH10X30A2	AFH12X30A2	AFH16X30A2
35mm		AFH4X35A2	AFH5X35A2	AFH6X35A2	AFH8X35A2	AFH10X35A2	AFH12X35A2	
40mm		AFH4X40A2	AFH5X40A2	AFH6X40A2	AFH8X40A2	AFH10X40A2	AFH12X40A2	AFH16X40A2
45mm		AFH4X45A2	AFH5X45A2	AFH6X45A2	AFH8X45A2	AFH10X45A2	AFH12X45A2	AFH16X45A2
50mm		AFH4X50A2	AFH5X50A2	AFH6X50A2	AFH8X50A2	AFH10X50A2	AFH12X50A2	AFH16X50A2
55mm				AFH6X55A2			AFH12X55A2	
60mm			AFH5X60A2	AFH6X60A2	AFH8X60A2	AFH10X60A2		
70mm				AFH6X70A2	AFH8X70A2			
80mm					AFH8X80A2	AFH10X80A2	AFH12X80A2	
90mm					AFH8X90A2			
100mm					AFH8X100A2		AFH12X100A2	
120mm						AFH10X120A2	AFH12X120A2	



316 STAINLESS			
Ø	M3	M4	M5
6mm	AFH3X6A4	AFH4X6A4	
8mm	AFH3X8A4	AFH4X8A4	AFH5X8A4
10mm	AFH3X10A4	AFH4X10A4	AFH5X10A4
12mm	AFH3X12A4	AFH4X12A4	AFH5X12A4
16mm	AFH3X16A4	AFH4X16A4	AFH5X16A4
20mm	AFH3X20A4	AFH4X20A4	AFH5X20A4
25mm	AFH3X25A4	AFH4X25A4	AFH5X25A4
30mm	AFH3X30A4	AFH4X30A4	AFH5X30A4
35mm		AFH4X35A4	AFH5X35A4
40mm	AFH3X40A4	AFH4X40A4	AFH5X40A4
45mm			AFH5X45A4
50mm		AFH4X50A4	AFH5X50A4
60mm			AFH5X60A4



316 STAINLESS						
Ø	M6	M8	M10	M12	M16	M20
8mm	AFH6X8A4					
10mm	AFH6X10A4	AFH8X10A4				
12mm	AFH6X12A4	AFH8X12A4				
16mm	AFH6X16A4	AFH8X16A4	AFH10X16A4			
20mm	AFH6X20A4	AFH8X20A4	AFH10X20A4	AFH12X20A4	AFH16X20A4	
25mm	AFH6X25A4	AFH8X25A4	AFH10X25A4	AFH12X25A4	AFH16X25A4	
30mm	AFH6X30A4	AFH8X30A4	AFH10X30A4	AFH12X30A4	AFH16X30A4	
35mm	AFH6X35A4	AFH8X35A4	AFH10X35A4	AFH12X35A4	AFH16X35A4	
40mm	AFH6X40A4	AFH8X40A4	AFH10X40A4	AFH12X40A4	AFH16X40A4	AFH20X40A4
45mm	AFH6X45A4	AFH8X45A4	AFH10X45A4	AFH12X45A4	AFH16X45A4	
50mm	AFH6X50A4	AFH8X50A4	AFH10X50A4	AFH12X50A4	AFH16X50A4	AFH20X50A4
55mm			AFH10X55A4			
60mm	AFH6X60A4	AFH8X60A4	AFH10X60A4	AFH12X60A4	AFH16X60A4	AFH20X60A4
70mm	AFH6X70A4	AFH8X70A4	AFH10X70A4	AFH12X70A4	AFH16X70A4	AFH20X70A4
80mm	AFH6X80A4	AFH8X80A4	AFH10X80A4	AFH12X80A4	AFH16X80A4	AFH20X80A4
90mm	AFH6X90A4	AFH8X90A4	AFH10X90A4	AFH12X90A4	AFH16X90A4	AFH20X90A4
100mm	AFH6X100A4	AFH8X100A4	AFH10X100A4	AFH12X100A4	AFH16X100A4	AFH20X100A4
110mm			AFH10X110A4	AFH12X110A4	AFH16X110A4	
120mm			AFH10X120A4	AFH12X120A4	AFH16X120A4	
140mm				AFH12X140A4		
150mm			AFH10X150A4	AFH12X150A4	AFH16X150A4	AFH20X150A4
180mm			AFH10X180A4			

**HEXAGON WRENCHES**  
Check all sizes on page 125

**FDG**





BLACK UNC						
Ø	#6	#8	3/16"	#10	1/4"	5/16"
1/4"	AFHC#6X1/4					
3/8"	AFHC#6X3/8	AFHC#8X3/8	AFHC3/16X3/8	AFHC#10X3/8	AFHC1/4X3/8	
1/2"	AFHC#6X1/2	AFHC#8X1/2	AFHC3/16X1/2	AFHC#10X1/2	AFHC1/4X1/2	AFHC5/16X1/2
5/8"	AFHC#6X5/8	AFHC#8X5/8	AFHC3/16X5/8	AFHC#10X5/8	AFHC1/4X5/8	AFHC5/16X5/8
3/4"	AFHC#6X3/4	AFHC#8X3/4	AFHC3/16X3/4	AFHC#10X3/4	AFHC1/4X3/4	AFHC5/16X3/4
1"	AFHC#6X1	AFHC#8X1	AFHC3/16X1	AFHC#10X1	AFHC1/4X1	AFHC5/16X1
1-1/4"			AFHC3/16X1-1/4	AFHC#10X1-1/4	AFHC1/4X1-1/4	AFHC5/16X1-1/4
1-1/2"			AFHC3/16X1-1/2	AFHC#10X1-1/2	AFHC1/4X1-1/2	AFHC5/16X1-1/2
1-3/4"					AFHC1/4X1-3/4	AFHC5/16X1-3/4
2"					AFHC1/4X2	AFHC5/16X2
2-1/2"					AFHC1/4X2-1/2	AFHC5/16X2-1/2
3"					AFHC1/4X3	AFHC5/16X3
4"					AFHC1/4X4	

BLACK UNF					
Ø	3/16"	#10	1/4"	5/16"	3/8"
3/8"			AFHF1/4X3/8		
1/2"	AFHF3/16X1/2	AFHF#10X1/2	AFHF1/4X1/2	AFHF5/16X1/2	
5/8"	AFHF3/16X5/8	AFHF#10X5/8	AFHF1/4X5/8	AFHF5/16X5/8	
3/4"	AFHF3/16X3/4	AFHF#10X3/4	AFHF1/4X3/4	AFHF5/16X3/4	AFHF3/8X3/4
1"	AFHF3/16X1	AFHF#10X1	AFHF1/4X1	AFHF5/16X1	AFHF3/8X1
1-1/4"	AFHF3/16X1-1/4	AFHF#10X1-1/4	AFHF1/4X1-1/4	AFHF5/16X1-1/4	AFHF3/8X1-1/4
1-1/2"	AFHF3/16X1-1/2	AFHF#10X1-1/2	AFHF1/4X1-1/2	AFHF5/16X1-1/2	AFHF3/8X1-1/2
1-3/4"			AFHF1/4X1-3/4	AFHF5/16X1-3/4	AFHF3/8X1-3/4
2"			AFHF1/4X2	AFHF5/16X2	AFHF3/8X2
2-1/2"					AFHF3/8X2-1/2
3"					AFHF3/8X3

BLACK UNC					
Ø	3/8"	7/16"	1/2"	5/8"	3/4"
1/2"	AFHC3/8X1/2				
5/8"	AFHC3/8X5/8				
3/4"	AFHC3/8X3/4	AFHC7/16X3/4	AFHC1/2X3/4		
1"	AFHC3/8X1	AFHC7/16X1	AFHC1/2X1	AFHC5/8X1	
1-1/4"	AFHC3/8X1-1/4	AFHC7/16X1-1/4	AFHC1/2X1-1/4	AFHC5/8X1-1/4	
1-1/2"	AFHC3/8X1-1/2	AFHC7/16X1-1/2	AFHC1/2X1-1/2	AFHC5/8X1-1/2	AFHC3/4X1-1/2
1-3/4"	AFHC3/8X1-3/4	AFHC7/16X1-3/4	AFHC1/2X1-3/4	AFHC5/8X1-3/4	AFHC3/4X1-3/4
2"	AFHC3/8X2	AFHC7/16X2	AFHC1/2X2	AFHC5/8X2	AFHC3/4X2
2-1/2"	AFHC3/8X2-1/2		AFHC1/2X2-1/2	AFHC5/8X2-1/2	AFHC3/4X2-1/2
3"	AFHC3/8X3		AFHC1/2X3	AFHC5/8X3	AFHC3/4X3
3-1/2"				AFHC5/8X3-1/2	AFHC3/4X3-1/2
4"				AFHC5/8X4	AFHC3/4X4
5"					AFHC3/4X5

BLACK UNF				
Ø	7/16"	1/2"	5/8"	3/4"
3/4"		AFHF1/2X3/4		
1"	AFHF7/16X1	AFHF1/2X1	AFHF5/8X1	
1-1/4"	AFHF7/16X1-1/4	AFHF1/2X1-1/4	AFHF5/8X1-1/4	
1-1/2"	AFHF7/16X1-1/2	AFHF1/2X1-1/2	AFHF5/8X1-1/2	
1-3/4"		AFHF1/2X1-3/4		
2"	AFHF7/16X2	AFHF1/2X2	AFHF5/8X2	AFHF3/4X2
2-1/2"		AFHF1/2X2-1/2	AFHF5/8X2-1/2	AFHF3/4X2-1/2
3"		AFHF1/2X3	AFHF5/8X3	

BLACK BSW	
Ø	1/2"
3/4"	AFHW1/2X3/4
1"	AFHW1/2X1
1-1/4"	AFHW1/2X1-1/4
1-1/2"	AFHW1/2X1-1/2Z
1-3/4"	AFHW1/2X1-3/4
2"	AFHW1/2X2
2-1/2"	AFHW1/2X2-1/2
3"	AFHW1/2X3



ZINC UNC							
Ø	1/4"	5/16"	3/8"	7/16"	1/2"	5/8"	3/4"
3/8"	AFHF1/4X3/8Z						
1/2"	AFHF1/4X1/2Z	AFHF5/16X1/2Z	AFHF3/8X1/2Z				
5/8"	AFHF1/4X5/8Z	AFHF5/16X5/8Z	AFHF3/8X5/8Z				
3/4"	AFHF1/4X3/4Z	AFHF5/16X3/4Z	AFHF3/8X3/4Z	AFHF7/16X3/4Z	AFHF1/2X3/4Z		
1"	AFHF1/4X1Z	AFHF5/16X1Z	AFHF3/8X1Z	AFHF7/16X1Z	AFHF1/2X1Z		
1-1/4"	AFHF1/4X1-1/4Z	AFHF5/16X1-1/4Z	AFHF3/8X1-1/4Z	AFHF7/16X1-1/4Z	AFHF1/2X1-1/4Z	AFHF5/8X1-1/4Z	AFHF3/4X1-1/4Z
1-1/2"	AFHF1/4X1-1/2Z	AFHF5/16X1-1/2Z	AFHF3/8X1-1/2Z	AFHF7/16X1-1/2Z	AFHF1/2X1-1/2Z	AFHF5/8X1-1/2Z	AFHF3/4X1-1/2Z
1-3/4"	AFHF1/4X1-3/4Z	AFHF5/16X1-3/4Z	AFHF3/8X1-3/4Z	AFHF7/16X1-3/4Z	AFHF1/2X1-3/4Z	AFHF5/8X1-3/4Z	AFHF3/4X1-3/4Z
2"	AFHF1/4X2Z	AFHF5/16X2Z	AFHF3/8X2Z	AFHF7/16X2Z	AFHF1/2X2Z	AFHF5/8X2Z	AFHF3/4X2Z
2-1/4"		AFHF5/16X2-1/4Z	AFHF3/8X2-1/4Z		AFHF1/2X2-1/4Z	AFHF5/8X2-1/4Z	AFHF3/4X2-1/4Z
2-1/2"	AFHF1/4X2-1/2Z	AFHF5/16X2-1/2Z	AFHF3/8X2-1/2Z		AFHF1/2X2-1/2Z	AFHF5/8X2-1/2Z	AFHF3/4X2-1/2Z
3"			AFHF3/8X3Z		AFHF1/2X3Z	AFHF5/8X3Z	AFHF3/4X3Z
4"			AFHF3/8X4Z				

ZINC UNF				
Ø	1/4"	5/16"	3/8"	1/2"
3/8"	AFHF1/4X3/8Z			
1/2"	AFHF1/4X1/2Z	AFHF5/16X1/2Z		
5/8"	AFHF1/4X5/8Z	AFHF5/16X5/8Z	AFHF3/8X5/8Z	
3/4"	AFHF1/4X3/4Z	AFHF5/16X3/4Z	AFHF3/8X3/4Z	AFHF1/2X3/4Z
1"	AFHF1/4X1Z	AFHF5/16X1Z	AFHF3/8X1Z	AFHF1/2X1Z
1-1/4"	AFHF1/4X1-1/4Z	AFHF5/16X1-1/4Z	AFHF3/8X1-1/4Z	AFHF1/2X1-1/4Z
1-1/2"	AFHF1/4X1-1/2Z	AFHF5/16X1-1/2Z	AFHF3/8X1-1/2Z	AFHF1/2X1-1/2Z
1-3/4"			AFHF3/8X1-3/4Z	AFHF1/2X1-3/4Z
2"			AFHF3/8X2Z	AFHF1/2X2Z
3"				AFHF1/2X3Z

304 STAINLESS UNC					
Ø	3/16"	1/4"	5/16"	3/8"	1/2"
3/8"		AFHC1/4X3/8A2			
1/2"	AFHC3/16X1/2A2	AFHC1/4X1/2A2			
5/8"	AFHC3/16X5/8A2	AFHC1/4X5/8A2			
3/4"	AFHC3/16X3/4A2	AFHC1/4X3/4A2	AFHC5/16X3/4A2	AFHC3/8X3/4A2	
1"	AFHC3/16X1A2	AFHC1/4X1A2	AFHC5/16X1A2	AFHC3/8X1A2	AFHC1/2X1A2
1-1/4"	AFHC3/16X1-1/4A2	AFHC1/4X1-1/4A2	AFHC5/16X1-1/4A2	AFHC3/8X1-1/4A2	AFHC1/2X1-1/4A2
1-1/2"	AFHC3/16X1-1/2A2	AFHC1/4X1-1/2A2	AFHC5/16X1-1/2A2	AFHC3/8X1-1/2A2	AFHC1/2X1-1/2A2
2"	AFHC3/16X2A2	AFHC1/4X2A2	AFHC5/16X2A2	AFHC3/8X2A2	AFHC1/2X2A2
2-1/2"		AFHC1/4X2-1/2A2		AFHC3/8X2-1/2A2	AFHC1/2X2-1/2A2
3"		AFHC1/4X3A2	AFHC5/16X3A2	AFHC3/8X3A2	

304 STAINLESS UNF				
Ø	3/16"	1/4"	5/16"	3/8"
3/8"	AFHF3/16X3/8A2			
1/2"		AFHF1/4X1/2A2		
5/8"	AFHF3/16X5/8A2	AFHF1/4X5/8A2		
3/4"	AFHF3/16X3/4A2	AFHF1/4X3/4A2	AFHF5/16X3/4A2	
1"	AFHF3/16X1A2	AFHF1/4X1A2	AFHF5/16X1A2	AFHF3/8X1A2
1-1/4"		AFHF1/4X1-1/4A2	AFHF5/16X1-1/4A2	AFHF3/8X1-1/4A2
1-1/2"				AFHF3/8X1-1/2A2
2"				AFHF3/8X2A2

**"KEEP UP TO DATE WITH OUR RECENT PROJECTS, INDUSTRY NEWS AND PRODUCT OFFERS"**



[/fastenersdirectglobal](https://www.facebook.com/fastenersdirectglobal)



[/fasteners-direct-globalLtd](https://www.linkedin.com/company/fasteners-direct-globalLtd)



**FOLLOW US**

[www.fdgncz.com](http://www.fdgncz.com)



# METRIC BUTTON HEAD SOCKET SCREW

# METRIC BUTTON HEAD SOCKET SCREW



BLACK								
Ø	M3	M4	M5	M6	M8	M10	M12	M16
6mm	ABH3X6		ABH5X6	ABH6X6				
8mm	ABH3X8	ABH4X8	ABH5X8	ABH6X8				
10mm	ABH3X10	ABH4X10	ABH5X10	ABH6X10	ABH8X10			
12mm	ABH3X12	ABH4X12	ABH5X12	ABH6X12	ABH8X12	ABH10X12		
16mm	ABH3X16	ABH4X16	ABH5X16	ABH6X16	ABH8X16	ABH10X16	ABH12X16	
20mm	ABH3X20	ABH4X20	ABH5X20	ABH6X20	ABH8X20	ABH10X20	ABH12X20	
25mm	ABH3X25	ABH4X25	ABH5X25	ABH6X25	ABH8X25	ABH10X25	ABH12X25	
30mm	ABH3X30	ABH4X30	ABH5X30	ABH6X30	ABH8X30	ABH10X30	ABH12X30	
35mm				ABH6X35	ABH8X35	ABH10X35	ABH12X35	
40mm	ABH3X40	ABH4X40	ABH5X40	ABH6X40	ABH8X40	ABH10X40	ABH12X40	ABH16X40
45mm					ABH8X45	ABH10X45	ABH12X45	
50mm		ABH4X50	ABH5X50	ABH6X50	ABH8X50	ABH10X50	ABH12X50	ABH16X50
55mm					ABH8X55			
60mm			ABH5X60	ABH6X60	ABH8X60	ABH10X60	ABH12X60	ABH16X60
70mm					ABH8X70	ABH10X70	ABH12X70	
80mm				ABH6X80	ABH8X80	ABH10X80	ABH12X80	
90mm					ABH8X90	ABH10X90	ABH12X90	
100mm					ABH8X100	ABH10X100	ABH12X100	

ZINC				
Ø	M6	M8	M10	M12
65mm	ABH6X65Z	ABH8X65Z		
70mm	ABH6X70Z	ABH8X70Z	ABH10X70Z	ABH12X70Z
75mm	ABH6X75Z	ABH8X75Z		
80mm		ABH8X80Z	ABH10X80Z	ABH12X80Z
90mm		ABH8X90Z	ABH10X90Z	ABH12X90Z
100mm		ABH8X100Z	ABH10X100Z	ABH12X100Z



304 STAINLESS								
Ø	M2	M3	M4	M5	M6	M8	M10	M12
6mm	ABH2X6A2	ABH3X6A2	ABH4X6A2		ABH6X6A2			
8mm		ABH3X8A2	ABH4X8A2	ABH5X8A2	ABH6X8A2			
10mm	ABH2X10A2	ABH3X10A2	ABH4X10A2	ABH5X10A2	ABH6X10A2			
12mm		ABH3X12A2	ABH4X12A2	ABH5X12A2	ABH6X12A2	ABH8X12A2	ABH10X12A2	
16mm		ABH3X16A2	ABH4X16A2	ABH5X16A2	ABH6X16A2	ABH8X16A2	ABH10X16A2	
20mm		ABH3X20A2	ABH4X20A2	ABH5X20A2	ABH6X20A2	ABH8X20A2	ABH10X20A2	ABH12X20A2
25mm		ABH3X25A2	ABH4X25A2	ABH5X25A2	ABH6X25A2	ABH8X25A2	ABH10X25A2	ABH12X25A2
30mm		ABH3X30A2	ABH4X30A2	ABH5X30A2	ABH6X30A2	ABH8X30A2	ABH10X30A2	ABH12X30A2
35mm			ABH4X35A2	ABH5X35A2	ABH6X35A2	ABH8X35A2	ABH10X35A2	ABH12X35A2
40mm			ABH4X40A2	ABH5X40A2	ABH6X40A2	ABH8X40A2	ABH10X40A2	ABH12X40A2
45mm					ABH6X45A2	ABH8X45A2	ABH10X45A2	ABH12X45A2
50mm				ABH5X50A2	ABH6X50A2	ABH8X50A2	ABH10X50A2	ABH12X50A2
55mm						ABH8X55A2		
60mm				ABH5X60A2	ABH6X60A2	ABH8X60A2	ABH10X60A2	ABH12X60A2
70mm						ABH8X70A2	ABH10X70A2	ABH12X70A2
80mm						ABH8X80A2	ABH10X80A2	ABH12X80A2
90mm							ABH10X90A2	



ZINC							
Ø	M3	M4	M5	M6	M8	M10	M12
6mm	ABH3X6Z		ABH5X6Z	ABH6X6Z			
8mm	ABH3X8Z	ABH4X8Z	ABH5X8Z	ABH6X8Z			
10mm	ABH3X10Z	ABH4X10Z	ABH5X10Z	ABH6X10Z	ABH8X10Z		
12mm	ABH3X12Z	ABH4X12Z	ABH5X12Z	ABH6X12Z	ABH8X12Z	ABH10X12Z	
16mm	ABH3X16Z	ABH4X16Z	ABH5X16Z	ABH6X16Z	ABH8X16Z	ABH10X16Z	ABH12X16Z
20mm	ABH3X20Z	ABH4X20Z	ABH5X20Z	ABH6X20Z	ABH8X20Z	ABH10X20Z	ABH12X20Z
25mm		ABH4X25Z	ABH5X25Z	ABH6X25Z	ABH8X25Z	ABH10X25Z	ABH12X25Z
30mm		ABH4X30Z	ABH5X30Z	ABH6X30Z	ABH8X30Z	ABH10X30Z	ABH12X30Z
35mm				ABH6X35Z	ABH8X35Z	ABH10X35Z	ABH12X35Z
40mm		ABH4X40Z	ABH5X40Z	ABH6X40Z	ABH8X40Z	ABH10X40Z	ABH12X40Z
45mm				ABH6X45Z	ABH8X45Z	ABH10X45Z	ABH12X45Z
50mm		ABH4X50Z	ABH5X50Z	ABH6X50Z	ABH8X50Z	ABH10X50Z	ABH12X50Z
55mm					ABH8X55Z		
60mm			ABH5X60Z	ABH6X60Z	ABH8X60Z	ABH10X60Z	ABH12X60Z





# METRIC BUTTON HEAD SOCKET SCREW

# IMPERIAL BUTTON HEAD SOCKET SCREW



316 STAINLESS							
Ø	M3	M4	M5	M6	M8	M10	M12
6mm	ABH3X6A4	ABH4X6A4					
8mm	ABH3X8A4	ABH4X8A4					
10mm	ABH3X10A4	ABH4X10A4					
12mm	ABH3X12A4	ABH4X12A4	ABH5X12A4	ABH6X12A4	ABH8X12A4		
16mm		ABH4X16A4	ABH5X16A4	ABH6X16A4	ABH8X16A4	ABH10X16A4	
20mm		ABH4X20A4	ABH5X20A4	ABH6X20A4	ABH8X20A4	ABH10X20A4	
25mm		ABH4X25A4	ABH5X25A4	ABH6X25A4	ABH8X25A4	ABH10X25A4	ABH12X25A4
30mm		ABH4X30A4	ABH5X30A4	ABH6X30A4	ABH8X30A4	ABH10X30A4	ABH12X30A4
35mm				ABH6X35A4	ABH8X35A4	ABH10X35A4	
40mm			ABH5X40A4	ABH6X40A4	ABH8X40A4	ABH10X40A4	ABH12X40A4
45mm				ABH6X45A4			
50mm			ABH5X50A4	ABH6X50A4	ABH8X50A4	ABH10X50A4	ABH12X50A4
60mm				ABH6X60A4	ABH8X60A4		ABH12X60A4
70mm					ABH8X70A4		
80mm					ABH8X80A4		



BLACK UNC						
Ø	3/16"	#10	1/4"	5/16"	3/8"	1/2"
1/4"	ABHC3/16X1/4	ABHC#10X1/4				
3/8"	ABHC3/16X3/8	ABHC#10X3/8	ABHC1/4X3/8			
1/2"	ABHC3/16X1/2	ABHC#10X1/2	ABHC1/4X1/2	ABHC5/16X1/2	ABHC3/8X1/2	
5/8"	ABHC3/16X5/8	ABHC#10X5/8	ABHC1/4X5/8	ABHC5/16X5/8	ABHC3/8X5/8	
3/4"	ABHC3/16X3/4	ABHC#10X3/4	ABHC1/4X3/4	ABHC5/16X3/4	ABHC3/8X3/4	
1"	ABHC3/16X1	ABHC#10X1	ABHC1/4X1	ABHC5/16X1	ABHC3/8X1	ABHC1/2X1
1-1/4"			ABHC1/4X1-1/4	ABHC5/16X1-1/4	ABHC3/8X1-1/4	ABHC1/2X1-1/4
1-1/2"			ABHC1/4X1-1/2	ABHC5/16X1-1/2	ABHC3/8X1-1/2	ABHC1/2X1-1/2
2"			ABHC1/4X2	ABHC5/16X2	ABHC3/8X2	ABHC1/2X2
2-1/2"				ABHC5/8X2-1/2		ABHC1/2X2-1/2



**Milwaukee**

**SHOCKWAVE™ METRIC STEP BIT SET**  
M-48899266

**Add the SHOCKWAVE™ Impact Duty Step Bits to your Impact Drill Kit today. Call 0800 555 464**

304 STAINLESS UNC					
Ø	3/16"	1/4"	5/16"	3/8"	1/2"
3/8"	ABHC3/16X3/8A2	ABHC1/4X3/8A2			
1/2"	ABHC3/16X1/2A2	ABHC1/4X1/2A2			
5/8"	ABHC3/16X5/8A2	ABHC1/4X5/8A2	ABHC5/16X5/8A2	ABHC3/8X5/8A2	
3/4"	ABHC3/16X3/4A2	ABHC1/4X3/4A2	ABHC5/16X3/4A2	ABHC3/8X3/4A2	
1"	ABHC3/16X1A2	ABHC1/4X1A2	ABHC5/16X1A2	ABHC3/8X1A2	ABHC1/2X1A2
1-1/4"		ABHC1/4X1-1/4A2	ABHC5/16X1-1/4A2	ABHC3/8X1-1/4A2	ABHC1/2X1-1/4A2
1-1/2"	ABHC3/16X1-1/2A2	ABHC1/4X1-1/2A2	ABHC5/16X1-1/2A2	ABHC3/8X1-1/2A2	ABHC1/2X1-1/2A2
2"	ABHC3/16X2A2	ABHC1/4X2A2	ABHC5/16X2A2	ABHC3/8X2A2	ABHC1/2X2A2
2-1/2"		ABHC1/4X2-1/2A2	ABHC5/16X2-1/2A2	ABHC3/8X2-1/2A2	
3"				ABHC3/8X3A2	

BLACK UNF					
Ø	3/16"	#10	1/4"	5/16"	3/8"
1/4"	ABHF3/16X1/4	ABHF#10X1/4			
3/8"	ABHF3/16X3/8	ABHF#10X3/8	ABHF1/4X3/8		
1/2"	ABHF3/16X1/2	ABHF#10X1/2	ABHF1/4X1/2	ABHF5/16X1/2	ABHF3/8X1/2
5/8"	ABHF3/16X5/8	ABHF#10X5/8	ABHF1/4X5/8	ABHF5/16X5/8	
3/4"	ABHF3/16X3/4	ABHF#10X3/4	ABHF1/4X3/4	ABHF5/16X3/4	ABHF3/8X3/4
1"	ABHF3/16X1	ABHF#10X1	ABHF1/4X1	ABHF5/16X1	ABHF3/8X1
1-1/4"					ABHF3/8X1-1/4
1-1/2"		ABHF#10X1-1/2	ABHF1/4X1-1/2	ABHF5/16X1-1/2	ABHF3/8X1-1/2
2"		ABHF#10X2			



Ø	BLACK						ZINC
	M4	M5	M6	M8	M10	M12	M6
8mm	ALH4X8	ALH5X8					
10mm	ALH4X10	ALH5X10	ALH6X10				ALH6X10-5ZP
12mm	ALH4X12	ALH5X12	ALH6X12				
16mm	ALH4X16	ALH5X16	ALH6X16	ALH8X16	ALH10X16		ALH6X16-5ZP
20mm	ALH4X20	ALH5X20	ALH6X20	ALH8X20	ALH10X20	ALH12X20	ALH6X20-5ZP
25mm	ALH4X25	ALH5X25	ALH6X25	ALH8X25	ALH10X25	ALH12X25	
30mm	ALH4X30	ALH5X30	ALH6X30	ALH8X30	ALH10X30	ALH12X30	
35mm			ALH6X35	ALH8X35	ALH10X35	ALH12X35	
40mm				ALH8X40	ALH10X40	ALH12X40	
45mm					ALH10X45	ALH12X45	
50mm				ALH8X50	ALH10X50	ALH12X50	

Ø	BLACK FINE				
	M8x1.0	M10x1.25	M10x1.5	M12x1.25	M12x1.5
20mm	AMFC8X1.0X20	AMFC10X1.25X20	AMFC10X1.0X20		
25mm	AMFC8X1.0X25	AMFC10X1.25X25	AMFC10X1.0X25	AMFC12X1.25X25	AMFC12X1.5X25
30mm	AMFC8X1.0X30	AMFC10X1.25X30	AMFC10X1.0X30	AMFC12X1.25X30	AMFC12X1.5X30
35mm	AMFC8X1.0X35	AMFC10X1.25X35		AMFC12X1.25X35	
40mm	AMFC8X1.0X40	AMFC10X1.25X40	AMFC10X1.0X40	AMFC12X1.25X40	AMFC12X1.5X40
50mm	AMFC8X1.0X50	AMFC10X1.25X50	AMFC10X1.0X50	AMFC12X1.25X50	AMFC12X1.5X50
60mm	AMFC8X1.0X60	AMFC10X1.25X60		AMFC12X1.25X60	AMFC12X1.5X60
70mm		AMFC10X1.25X70		AMFC12X1.25X70	AMFC12X1.5X70
80mm		AMFC10X1.25X80		AMFC12X1.25X80	AMFC12X1.5X80
90mm		AMFC10X1.25X90		AMFC12X1.25X90	AMFC12X1.5X90
100mm		AMFC10X1.25X100		AMFC12X1.25X100	AMFC12X1.5X100
120mm		AMFC10X1.25X120		AMFC12X1.25X120	




**8PC METRIC/IMPERIAL  
HEXAGONAL KEY SET**

**FDG**

www.fdg.nz.com  
sales@fdg.nz.com  
0800 555 464

Ø	BLACK FINE			
	M14x1.5	M16x1.5	M18x1.5	M20x1.5
30mm	AMFC14X1.5X30	AMFC16X1.5X30		
40mm	AMFC14X1.5X40	AMFC16X1.5X40		
50mm	AMFC14X1.5X50	AMFC16X1.5X50	AMFC18X1.5X50	AMFC20X1.5X50
60mm	AMFC14X1.5X60	AMFC16X1.5X60	AMFC18X1.5X60	AMFC20X1.5X60
70mm	AMFC14X1.5X70	AMFC16X1.5X70		AMFC20X1.5X70
80mm	AMFC14X1.5X80	AMFC16X1.5X80		AMFC20X1.5X80
90mm		AMFC16X1.5X90		AMFC20X1.5X90
100mm	AMFC14X1.5X100	AMFC16X1.5X100		AMFC20X1.5X100
120mm		AMFC16X1.5X120		AMFC20X1.5X120





METRIC BLACK							
SHANK	M6	M8	M10	M12	M16	M20	M24
THREAD	M5	M6	M8	M10	M12	M16	M20
10mm	ASS6X10						
12mm	ASS6X12	ASS8X12					
16mm	ASS6X16	ASS8X16	ASS10X16	ASS12X16			
20mm	ASS6X20	ASS8X20	ASS10X20	ASS12X20			
25mm	ASS6X25	ASS8X25	ASS10X25	ASS12X25	ASS16X25		
30mm	ASS6X30	ASS8X30	ASS10X30	ASS12X30	ASS16X30	ASS20X40	
35mm		ASS8X35					
40mm	ASS6X40	ASS8X40	ASS10X40	ASS12X40	ASS16X40	ASS20X50	ASS24X50
50mm		ASS8X50	ASS10X50	ASS12X50	ASS16X50		
60mm			ASS10X60	ASS12X60	ASS16X60	ASS20X60	ASS24X60
70mm			ASS10X70	ASS12X70	ASS16X70	ASS20X70	ASS24X70
80mm			ASS10X80	ASS12X80	ASS16X80	ASS20X80	ASS24X80
90mm				ASS12X90	ASS16X90	ASS20X90	ASS24X90
100mm				ASS12X100	ASS16X100	ASS20X100	ASS24X100
120mm					ASS16X120	ASS20X120	ASS24X120



IMPERIAL BLACK UNC					
SHANK	1/4"	5/16"	3/8"	1/2"	5/8"
THREAD	3/6"	1/4"	5/16"	3/8"	1/2"
3/8"	ASSC1/4X3/8	ASSC5/16X3/8			
1/2"	ASSC1/4X1/2	ASSC5/16X1/2	ASSC3/8X1/2	ASSC1/2X1/2	
5/8"	ASSC1/4X5/8	ASSC5/16X5/8	ASSC3/8X5/8	ASSC1/2X5/8	
3/4"	ASSC1/4X3/4	ASSC5/16X3/4	ASSC3/8X3/4	ASSC1/2X3/4	ASSC5/8X1-1/4
1"	ASSC1/4X1	ASSC5/16X1	ASSC3/8X1	ASSC1/2X1	ASSC5/8X1-1/2
1-1/4"	ASSC1/4X1-1/4	ASSC5/16X1-1/4	ASSC3/8X1-1/4	ASSC1/2X1-1/4	ASSC5/8X1-3/4
1-1/2"	ASSC1/4X1-1/2	ASSC5/16X1-1/2	ASSC3/8X1-1/2	ASSC1/2X1-1/2	
1-3/4"		ASSC5/16X1-3/4	ASSC3/8X1-3/4	ASSC1/2X1-3/4	
2"		ASSC5/16X2	ASSC3/8X2	ASSC1/2X2	ASSC5/8X2
2-1/4"			ASSC3/8X2-1/4	ASSC1/2X2-1/4	ASSC5/8X2-1/4
2-1/2"			ASSC3/8X2-1/2	ASSC1/2X2-1/2	ASSC5/8X2-1/2
2-3/4"			ASSC3/8X2-3/4	ASSC1/2X2-3/4	
3"			ASSC3/8X3	ASSC1/2X3	ASSC5/8X3
3-1/4"				ASSC1/2X3-1/4	ASSC5/8X3-1/2
3-1/2"			ASSC3/8X3-1/2	ASSC1/2X3-1/2	
4"				ASSC1/2X4	ASSC5/8X4

METRIC BLACK		
Ø	LONG ARM	SHORT ARM
0.035mm		AHWS.035
0.05mm	AHWL.050	AHWS.050
0.71mm		AHWS0.71
0.89mm	AHWL0.89	AHWS0.89
1.27mm	AHWL1.27	AHWS1.27
1.5mm	AHWL1.5	AHWS1.5
2mm	AHWL2	AHWS2
2.5mm	AHWL2.5	AHWS2.5
3mm	AHWL3	AHWS3
4mm	AHWL4	AHWS4
5mm	AHWL5	AHWS5
6mm	AHWL6	AHWS6
7mm		AHWS7
8mm	AHWL8	AHWS8
10mm	AHWL10	AHWS10
12mm	AHWL12	AHWS12
14mm	AHWL14	AHWS14
17mm	AHWL17	AHWS17
19mm	AHWL19	AHWS19
22mm	AHWL22	AHWS22
24mm	AHWL24	AHWS24
27mm	AHWL27	AHWS27
32mm		AHWS32

IMPERIAL BLACK		
Ø	LONG ARM	SHORT ARM
1/16"	AHWL1/16	AHWS1/16
5/64"	AHWL5/64	AHWS5/64
3/32"	AHWL3/32	AHWS3/32
7/64"	AHWL7/64	AHWS7/64
1/8"	AHWL1/8	AHWS1/8
9/64"	AHWL9/64	AHWS9/64
5/32"	AHWL5/32	AHWS5/32
3/16"	AHWL3/16	AHWS3/16
7/32"	AHWL7/32	AHWS7/32
1/4"	AHWL1/4	AHWS1/4
5/16"	AHWL5/16	AHWS5/16
3/8"	AHWL3/8	AHWS3/8
7/16"	AHWL7/16	AHWS7/16
1/2"	AHWL1/2	AHWS1/2
9/16"	AHWL9/16	AHWS9/16
5/8"	AHWL5/8	AHWS5/8
3/4"	AHWL3/4	AHWS3/4
7/8"	AHWL7/8	AHWS7/8
1"	AHWL1	AHWS1







BLACK						
Ø	M3	M4	M5	M6	M8	M10
3mm	AGS3X3					
4mm	AGS3X4	AGS4X4		AGS6X4		
5mm	AGS3X5	AGS4X5	AGS5X5	AGS6X5		
6mm	AGS3X6	AGS4X6	AGS5X6	AGS6X6	AGS8X6	
8mm	AGS3X8	AGS4X8	AGS5X8	AGS6X8	AGS8X8	AGS10X8
10mm	AGS3X10	AGS4X10	AGS5X10	AGS6X10	AGS8X10	AGS10X10
12mm	AGS3X12	AGS4X12	AGS5X12	AGS6X12	AGS8X12	AGS10X12
16mm	AGS3X16	AGS4X16	AGS5X16	AGS6X16	AGS8X16	AGS10X16
20mm		AGS4X20	AGS5X20	AGS6X20	AGS8X20	AGS10X20
25mm		AGS4X25	AGS5X25	AGS6X25	AGS8X25	AGS10X25
30mm		AGS4X30	AGS5X30	AGS6X30	AGS8X30	AGS10X30
35mm				AGS6X35	AGS8X35	AGS10X35
40mm		AGS4X40	AGS5X40	AGS6X40	AGS8X40	AGS10X40
45mm				AGS6X45	AGS8X45	AGS10X45
50mm		AGS4X50	AGS5X50	AGS6X50	AGS8X50	AGS10X50
60mm				AGS6X60	AGS8X60	AGS10X60
70mm				AGS6X70	AGS8X70	

ZINC								
Ø	M4	M5	M6	M8	M10	M12	M16	M24
5mm		AGS5X5Z						
6mm	AGS4X6Z		AGS6X6Z					
8mm		AGS5X8Z	AGS6X8Z	AGS8X8Z				
10mm		AGS5X10Z	AGS6X10Z	AGS8X10Z	AGS10X10Z			
12mm		AGS5X12Z	AGS6X12Z	AGS8X12Z	AGS10X12Z	AGS12X12Z		
16mm		AGS5X16Z	AGS6X16Z	AGS8X16Z	AGS10X16Z	AGS12X16Z	AGS16X16Z	
20mm		AGS5X20Z	AGS6X20Z	AGS8X20Z	AGS10X20Z	AGS12X20Z	AGS16X20Z	
25mm			AGS6X25Z	AGS8X25Z	AGS10X25Z	AGS12X25Z		AGS24X25Z
30mm				AGS8X30Z	AGS10X30Z			
40mm				AGS8X40Z	AGS10X40Z			
45mm					AGS10X45Z			

BLACK					
Ø	M12	M14	M16	M20	M24
10mm	AGS12X10				
12mm	AGS12X12				
16mm	AGS12X16	AGS14X16	AGS16X16		
20mm	AGS12X20	AGS14X20	AGS16X20	AGS20X20	
25mm	AGS12X25	AGS14X25	AGS16X25	AGS20X25	AGS24X25
30mm	AGS12X30	AGS14X30	AGS16X30	AGS20X30	AGS24X30
35mm	AGS12X35		AGS16X35	AGS20X35	AGS24X35
40mm	AGS12X40	AGS14X40	AGS16X40	AGS20X40	AGS24X40
45mm	AGS12X45		AGS16X45		AGS24X45
50mm	AGS12X50	AGS14X50	AGS16X50	AGS20X50	AGS24X50
60mm	AGS12X60		AGS16X60	AGS20X60	AGS24X60
70mm	AGS12X70		AGS16X70	AGS20X70	
80mm	AGS12X80		AGS16X80	AGS20X80	
100mm	AGS12X100		AGS16X100	AGS20X100	

304 STAINLESS						
Ø	M2	M2.5	M3	M4	M5	M6
3mm	AGS2X3A2	AGS2.5X3A2	AGS3X3A2			
4mm			AGS3X4A2	AGS4X4A2	AGS5X4A2	
5mm			AGS3X5A2	AGS4X5A2	AGS5X5A2	
6mm			AGS3X6A2	AGS4X6A2	AGS5X6A2	AGS6X6A2
8mm		AGS2.5X8A2	AGS3X8A2	AGS4X8A2	AGS5X8A2	AGS6X8A2
10mm			AGS3X10A2	AGS4X10A2	AGS5X10A2	AGS6X10A2
12mm			AGS3X12A2	AGS4X12A2	AGS5X12A2	AGS6X12A2
16mm			AGS3X16A2	AGS4X16A2	AGS5X16A2	AGS6X16A2
20mm			AGS3X20A2	AGS4X20A2	AGS5X20A2	AGS6X20A2
25mm			AGS3X25A2	AGS4X25A2	AGS5X25A2	AGS6X25A2
30mm				AGS4X30A2	AGS5X30A2	AGS6X30A2
35mm					AGS5X35A2	AGS6X35A2
40mm					AGS5X40A2	AGS6X40A2
50mm					AGS5X50A2	AGS6X50A2



304 STAINLESS						
Ø	M8	M10	M12	M14	M16	M20
6mm	AGS8X6A2					
8mm	AGS8X8A2					
10mm	AGS8X10A2	AGS10X10A2	AGS12X10A2			
12mm	AGS8X12A2	AGS10X12A2	AGS12X12A2			
16mm	AGS8X16A2	AGS10X16A2	AGS12X16A2		AGS16X16A2	
20mm	AGS8X20A2	AGS10X20A2	AGS12X20A2	AGS14X20A2	AGS16X20A2	AGS20X20A2
25mm	AGS8X25A2	AGS10X25A2	AGS12X25A2		AGS16X25A2	AGS20X25A2
30mm	AGS8X30A2	AGS10X30A2	AGS12X30A2		AGS16X30A2	AGS20X30A2
35mm	AGS8X35A2	AGS10X35A2				
40mm	AGS8X40A2	AGS10X40A2	AGS12X40A2	AGS14X40A2	AGS16X40A2	AGS20X40A2
50mm	AGS8X50A2	AGS10X50A2	AGS12X50A2		AGS16X50A2	AGS20X50A2
55mm		AGS10X60A2	AGS12X60A2			

316 STAINLESS			
Ø	M12	M16	M20
10mm	AGS12X10A4		
12mm	AGS12X12A4		
16mm	AGS12X16A4	AGS16X16A4	
20mm	AGS12X20A4	AGS16X20A4	AGS20X20A4
25mm	AGS12X25A4	AGS16X25A4	
30mm	AGS12X30A4	AGS16X30A4	AGS20X30A4
35mm	AGS12X35A4	AGS16X35A4	
40mm	AGS12X40A4		AGS20X40A4
50mm	AGS12X50A4		AGS20X50A4
60mm	AGS12X60A4		
70mm	AGS12X70A4		

316 STAINLESS						
Ø	M3	M4	M5	M6	M8	M10
4mm	AGS3X4A4	AGS4X4A4				
5mm	AGS3X5A4	AGS4X5A4	AGS5X5A4			
6mm	AGS3X6A4	AGS4X6A4	AGS5X6A4	AGS6X6A4		
8mm		AGS4X8A4	AGS5X8A4	AGS6X8A4	AGS8X8A4	
10mm		AGS4X10A4	AGS5X10A4	AGS6X10A4	AGS8X10A4	AGS10X10A4
12mm		AGS4X12A4	AGS5X12A4	AGS6X12A4	AGS8X12A4	AGS10X12A4
16mm		AGS4X16A4	AGS5X16A4	AGS6X16A4	AGS8X16A4	AGS10X16A4
20mm			AGS5X20A4	AGS6X20A4	AGS8X20A4	AGS10X20A4
25mm			AGS5X25A4	AGS6X25A4	AGS8X25A4	AGS10X25A4
30mm					AGS8X30A4	AGS10X30A4
40mm						AGS10X40A4
50mm						AGS10X50A4

**SQUARE WASHERS**

**HEX NUTS**

**SQUARE WASHERS AND NUTS**  
on page 83 & 68

**FDG**



# METRIC KNURLED SOCKET GRUB SCREW

# IMPERIAL SOCKET HEAD GRUB SCREW



BLACK					
Ø	M3	M4	M5	M6	M8
3mm	AGS3X3-K				
4mm	AGS3X4-K	AGS4X4-K			
5mm	AGS3X5-K	AGS4X5-K	AGS5X5-K		
6mm	AGS3X6-K	AGS4X6-K	AGS5X6-K	AGS6X6-K	
8mm	AGS3X8-K	AGS4X8-K	AGS5X8-K	AGS6X8-K	AGS8X8-K
10mm	AGS3X10-K	AGS4X10-K	AGS5X10-K	AGS6X10-K	AGS8X10-K
12mm	AGS3X12-K	AGS4X12-K	AGS5X12-K	AGS6X12-K	AGS8X12-K
16mm	AGS3X16-K	AGS4X16-K	AGS5X16-K	AGS6X16-K	AGS8X16-K
20mm		AGS4X20-K	AGS5X20-K	AGS6X20-K	AGS8X20-K
25mm			AGS5X25-K	AGS6X25-K	AGS8X25-K
30mm			AGS5X30-K	AGS6X30-K	AGS8X30-K
35mm					AGS8X35-K
40mm				AGS6X40-K	
45mm				AGS6X45-K	
50mm					AGS8X50-K

BLACK				
Ø	M10	M12	M16	M20
10mm	AGS10X10-K			
12mm	AGS10X12-K	AGS12X12-K		
16mm	AGS10X16-K	AGS12X16-K	AGS16X16-K	
20mm	AGS10X20-K	AGS12X20-K	AGS16X20-K	
25mm	AGS10X25-K	AGS12X25-K	AGS16X25-K	
30mm	AGS10X30-K	AGS12X30-K	AGS16X30-K	
35mm		AGS12X35-K	AGS16X35-K	AGS20X35-K
40mm		AGS12X40-K	AGS16X40-K	AGS20X40-K
45mm	AGS10X45-K	AGS12X45-K		

BLACK UNC					
Ø	3/16"	#10	1/4"	5/16"	3/8"
3/16"	AGSC3/16X3/16	AGSC#10X3/16	AGSC1/4X3/16		
1/4"	AGSC3/16X1/4	AGSC#10X1/4	AGSC1/4X1/4	AGSC5/16X1/4	
5/16"	AGSC3/16X5/16	AGSC#10X5/16	AGSC1/4X5/16	AGSC5/16X5/16	AGSC3/8X5/16
3/8"	AGSC3/16X3/8	AGSC#10X3/8	AGSC1/4X3/8	AGSC5/16X3/8	AGSC3/8X3/8
1/2"	AGSC3/16X1/2	AGSC#10X1/2	AGSC1/4X1/2	AGSC5/16X1/2	AGSC3/8X1/2
5/8"	AGSC3/16X5/8	AGSC#10X5/8	AGSC1/4X5/8	AGSC5/16X5/8	AGSC3/8X5/8
3/4"	AGSC3/16X3/4	AGSC#10X3/4	AGSC1/4X3/4	AGSC5/16X3/4	AGSC3/8X3/4
1"	AGSC3/16X1	AGSC#10X1	AGSC1/4X1	AGSC5/16X1	AGSC3/8X1
1-1/4"			AGSC1/4X1-1/4	AGSC5/16X1-1/4	AGSC3/8X1-1/4
1-1/2"			AGSC1/4X1-1/2	AGSC5/16X1-1/2	AGSC3/8X1-1/2
2"				AGSC5/16X2	AGSC3/8X2

BLACK UNC				
Ø	7/16"	1/2"	5/8"	3/4"
3/8"		AGSC1/2X3/8		
7/16"	AGSC7/16X7/16			
1/2"	AGSC7/16X1/2	AGSC1/2X1/2		
5/8"	AGSC7/16X5/8	AGSC1/2X5/8	AGSC5/8X5/8	
3/4"	AGSC7/16X3/4	AGSC1/2X3/4	AGSC5/8X3/4	AGSC3/4X3/4
1"	AGSC7/16X1	AGSC1/2X1	AGSC5/8X1	AGSC3/4X1
1-1/4"		AGSC1/2X1-1/4	AGSC5/8X1-1/4	AGSC3/4X1-1/4
1-1/2"		AGSC1/2X1-1/2	AGSC5/8X1-1/2	AGSC3/4X1-1/2
1-3/4"		AGSC1/2X1-3/4		AGSC3/4X1-3/4
2"		AGSC1/2X2	AGSC5/8X2	AGSC3/4X2
2-1/2"			AGSC5/8X2-1/2	AGSC3/4X2-1/2
3"			AGSC5/8X3	

## CRC NOXY

### Multipurpose

high-strength lubricant







BLACK UNF							
Ø	3/16"	#10	1/4"	5/16"	3/8"	7/16"	1/2"
3/16"	AGSF3/16X3/16	AGSF#10X3/16					
1/4"	AGSF3/16X1/4	AGSF#10X1/4	AGSF1/4X1/4				
5/16"	AGSF3/16X5/16	AGSF#10X5/16	AGSF1/4X5/16	AGSF5/16X5/16			
3/8"	AGSF3/16X3/8	AGSF#10X3/8	AGSF1/4X3/8	AGSF5/16X3/8	AGSF3/8X3/8		
1/2"	AGSF3/16X1/2	AGSF#10X1/2	AGSF1/4X1/2	AGSF5/16X1/2	AGSF3/8X1/2	AGSF7/16X1/2	AGSF1/2X1/2
5/8"	AGSF3/16X5/8	AGSF#10X5/8	AGSF1/4X5/8	AGSF5/16X5/8	AGSF3/8X5/8		AGSF1/2X5/8
3/4"	AGSF3/16X3/4	AGSF#10X3/4	AGSF1/4X3/4	AGSF5/16X3/4	AGSF3/8X3/4		AGSF1/2X3/4
1"	AGSF3/16X1	AGSF#10X1	AGSF1/4X1	AGSF5/16X1	AGSF3/8X1		AGSF1/2X1
1-1/4"			AGSF1/4X1-1/4	AGSF5/16X1-1/4	AGSF3/8X1-1/4		
1-1/2"			AGSF1/4X1-1/2		AGSF3/8X1-1/2		



BLACK BSW		
Ø	1/8"	1/2"
1/8"	AGSW1/8X1/8	
3/16"	AGSW1/8X3/16	
1/4"	AGSW1/8X1/4	
3/8"	AGSW1/8X3/8	
1/2"	AGSW1/8X1/2	
3/4"		AFHC1/2X3/4
1"		AFHC1/2X1
1-1/4"		AFHC1/2X1-1/4
1-1/2"		AFHC1/2X1-1/2
1-3/4"		AFHC1/2X1-3/4
2"		AFHC1/2X2
2-1/2"		AFHC1/2X2-1/2
3"		AFHC1/2X3



304 STAINLESS UNC					
Ø	3/16"	1/4"	5/16"	3/8"	1/2"
3/16"	AGSC3/16X3/16A2				
1/4"	AGSC3/16X1/4A2	AGSC1/4X1/4A2			
5/16"	AGSC3/16X5/16A2	AGSC1/4X5/16A2	AGSC5/16X5/16A2		
3/8"	AGSC3/16X3/8A2	AGSC1/4X3/8A2	AGSC5/16X3/8A2	AGSC3/8X3/8A2	
1/2"	AGSC3/16X1/2A2	AGSC1/4X1/2A2	AGSC5/16X1/2A2	AGSC3/8X1/2A2	AGSC1/2X1/2A2
5/8"		AGSC1/4X5/8A2	AGSC5/16X5/8A2	AGSC3/8X5/8A2	AGSC1/2X5/8A2
3/4"		AGSC1/4X3/4A2	AGSC5/16X3/4A2	AGSC3/8X3/4A2	AGSC1/2X3/4A2
1"		AGSC1/4X1A2	AGSC5/16X1A2	AGSC3/8X1A2	AGSC1/2X1A2




**IS THERE SOMETHING ELSE YOU ARE LOOKING FOR?**

**GIVE OUR FRIENDLY TEAM A CALL 0800 555 464**

# THREADED ROD

<u>Nylon</u>	136
<u>Metric 4.6 Mild Steel</u>	136
<u>Metric 8.8 High Tensile</u>	137
<u>Metric 10.9 High Tensile</u>	138
<u>Threaded Rod Stainless</u>	138
<u>Imperial Threaded Rod</u>	139



## 4.6 METRIC THREADED ROD

Ø	NYLON
3mm	TR3x1000NY
4mm	TR4x1000NY
5mm	TR5x1000NY
6mm	TR6x1000NY
8mm	TR8 x1000NY
10mm	TR10X1000NY
12mm	TR12X1000NY
14mm	TR14X1000NY
16mm	TR16X1000NY

Ø	ZINC			GALVANIZED			BLACK
	1M	2M	3M	1M	2M	3M	
3mm	TR463x1000Z						
4mm	TR464x1000Z						
5mm	TR465x1000Z						
6mm	TR466x1000Z	TR466x2000Z					
8mm	TR468x1000Z	TR468x2000Z		TR468x1000G			TR468x1000
10mm	TR4610x1000Z	TR4610x2000Z	TR4610x3000Z	TR4610x1000G	TR4610x2000G		TR4610x1000
12mm	TR4612x1000Z	TR4612x2000Z	TR4612x3000Z	TR4612x1000G	TR4612x2000G	TR4612x3000G	TR4612x1000
14mm	TR4614x1000Z			TR4614x1000G			
16mm	TR4616x1000Z	TR4616x2000Z	TR4616x3000Z	TR4616x1000G	TR4616x2000G	TR4616x3000G	TR4616x1000
20mm	TR4620x1000Z	TR4620x2000Z	TR4620x3000Z	TR4620x1000G	TR4620x2000G	TR4620x3000G	TR4620x1000
24mm	TR4624x1000Z	TR4624x2000Z		TR4624x1000G	TR4624x2000G	TR4624x3000G	TR4624x1000
27mm				TR4627x1000G			
30mm	TR4630x1000Z			TR4630x1000G		TR4630x3000G	
33mm				TR4633x1000G			
36mm				TR4636x1000G		TR4636x3000G	
42mm				TR4642x1000G	TR4642x2000G		

**CUSTOM CUT SIZES  
AVAILABLE**



## 8.8 METRIC THREADED ROD

Ø	METRIC						
	YELLOW ZINC	YELLOW ZINC METRIC FINE		GALVANIZED			BLACK
	1M	1M	1M	1M	2M	3M	1M
6mm	TR886x1000YZ						
8mm	TR888x1000YZ	TR888-1.0x1000YZ					
10mm	TR8810x1000YZ	TR8810-1.25x1000YZ	TR8810-1.0x1000YZ	TR8810x1000G		TR8810x3000G	TR8810x1000
12mm	TR8812x1000YZ	TR8812-1.5x1000YZ	TR8812-1.25x1000YZ	TR8812x1000G	TR8812x2000G	TR8812x3000G	TR8812x1000
14mm	TR8814x1000YZ	TR8814-1.5x1000YZ					
16mm	TR8816x1000YZ	TR8816-1.5x1000YZ		TR8816x1000G	TR8816x2000G	TR8816x3000G	TR8816x1000
18mm	TR8818x1000YZ	TR8818-1.5x1000YZ					
20mm	TR8820x1000YZ	TR8820-1.5x1000YZ		TR8820x1000G	TR8820x2000G	TR8820x3000G	TR8820x1000
22mm		TR8822-1.5x1000YZ					
24mm	TR8824x1000YZ	TR8824-2.0x1000YZ	TR8824-1.5x1000YZ	TR8824x1000G	TR8824x2000G	TR8824x3000G	TR8824x1000
27mm				TR8827x1000G			
30mm	TR8830x1000YZ			TR8830x1000G	TR8830x2000G	TR8830x3000G	TR8830x1000
33mm				TR8833x1000G			
36mm				TR8836x1000G	TR8836x2000G	TR8836x3000G	TR8836x1000
42mm				TR8842x1000G		TR8842x3000G	
48mm				TR8848x1000G		TR8848x3000G	TR8848x1000
56mm				TR8856x1000G		TR8856x3000G	
64mm						TR8864x3000G	

### M18™ BRUSHLESS THREADED ROD CUTTER

M-M18BLTRC-0X



LEARN MORE ON PAGE 285







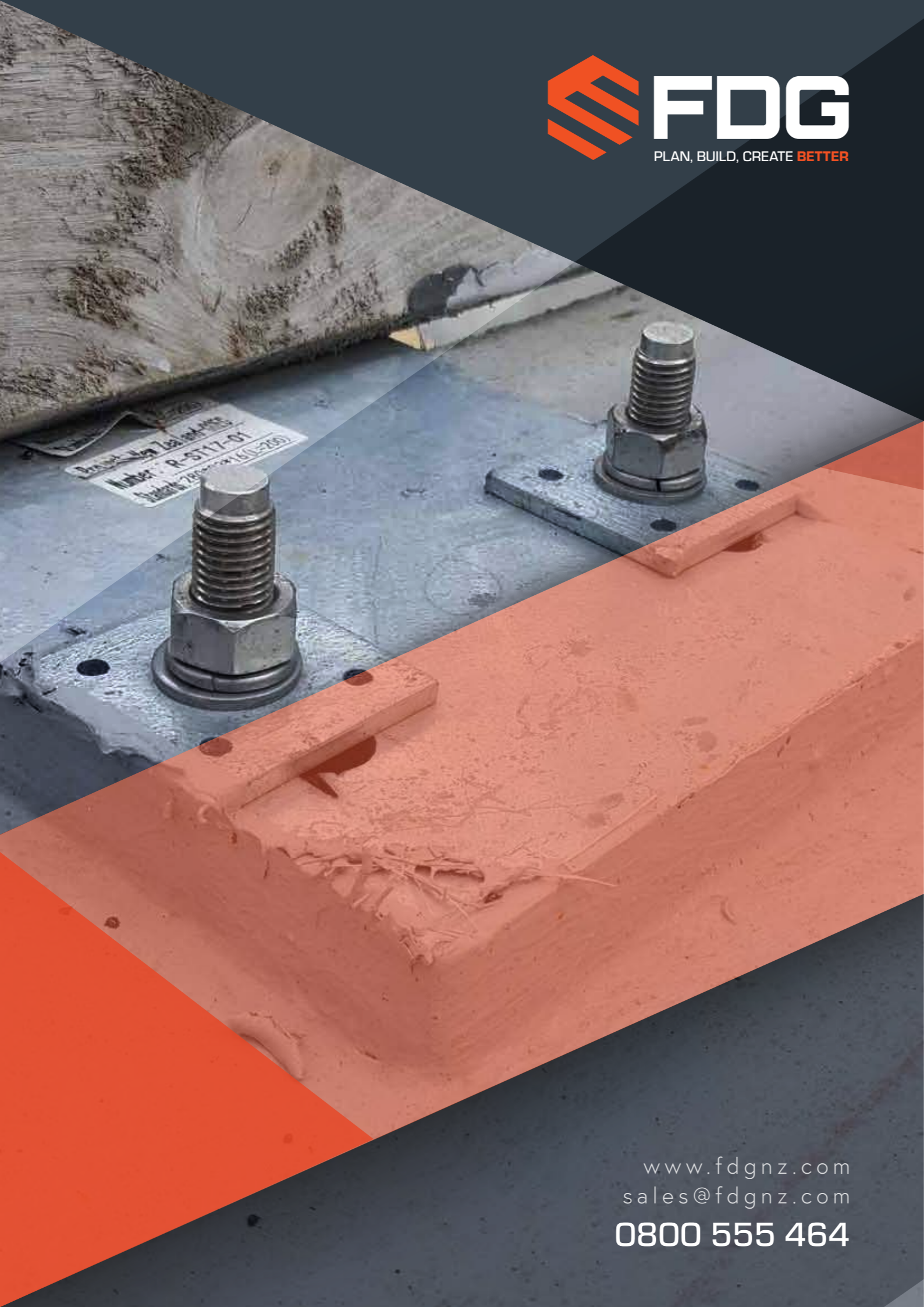
BLACK	
Ø	1M
8mm	TR10.9-8x1000
10mm	TR10.9-10x1000
12mm	TR10.9-12x1000
14mm	TR10.9-14x1000
16mm	TR10.9-16x1000
18mm	TR10.9-18x1000
20mm	TR10.9-20x1000
22mm	TR10.9-22x1000
24mm	TR10.9-24x1000
27mm	TR10.9-27x1000
30mm	TR10.9-30x1000
33mm	TR10.9-33x1000
36mm	TR10.9-36x1000

Ø	304 STAINLESS			316 STAINLESS		
	1M	2M	3M	1M	2M	3M
3mm	TR3x1000A2			TR3x1000A4		
4mm	TR4x1000A2			TR4x1000A4		
5mm				TR5x1000A4		
6mm	TR6x1000A2			TR6x1000A4		
8mm	TR8x1000A2	TR8x2000A2		TR8x1000A4		
10mm	TR10x1000A2	TR10x2000A2	TR10x3000A2	TR10x1000A4	TR10x2000A4	TR10x3000A4
12mm	TR12x1000A2		TR12x3000A2	TR12x1000A4	TR12x2000A4	TR12x3000A4
14mm				TR14x1000A4		
16mm	TR16x1000A2			TR16x1000A4	TR16x2000A4	TR16x3000A4
18mm				TR18x1000A4		
20mm	TR20x1000A2	TR20x2000A2		TR20x1000A4	TR20x2000A4	TR20x3000A4
22mm				TR22x1000A4		
24mm	TR24x1000A2			TR24x1000A4	TR24x2000A4	TR24x3000A4
27mm				TR27x1000A4		TR30x3000A4
30mm				TR30x1000A4		
33mm				TR33x1000A4		
36mm				TR36x1000A4		

Ø	GRADE 2		GRADE 5	
	BSW ZINC	BSW BLACK	UNC YELLOW ZINC	UNF YELLOW ZINC
3/16"	TRW3/16	TRW3/16Z		
1/4"	TRW1/4		TR5C1/4X2YZ	TR5F1/4X2YZ
5/16"	TRW5/16	TRW5/16Z	TR5C5/16X2YZ	TR5F5/16X2YZ
3/8"	TRW3/8	TRW3/8Z	TR5C3/8X2YZ	TR5F3/8X2YZ
7/16"	TRW7/16	TRW7/16Z	TR5C7/16X2YZ	TR5F7/16X2YZ
1/2"	TRW1/2	TRW1/2Z	TR5C1/2X2YZ	TR5F1/2X2YZ
9/16"			TR5C9/16X2YZ	TR5F9/16X2YZ
5/8"	TRW5/8		TR5C5/8X2YZ	TR5F5/8X2YZ
3/4"	TRW3/4	TRW3/4Z	TR5C3/4X2YZ	TR5F3/4X2YZ
7/8"	TRW7/8	TRW7/8Z	TR5C7/8X2YZ	TR5F7/8X2YZ
1"	TRW1	TRW1Z	TR5C1X2YZ	TR5F1-12X2YZ
1"				TR5F1-14X2YZ
1-1/8"	TRW1-1/8	TRW1-1/8Z	TR5C1-1/8X2YZ	TR5F1-1/8X2YZ
1-1/4"	TRW1-1/4	TRW1-1/4Z	TR5C1-1/4X2YZ	TR5F1-1/4X2YZ
1-1/2"	TRW1-1/2	TRW1-1/2Z	TR5C1-1/2X2YZ	TR5F1-1/2X2YZ

THREADED ROD CUTTER		
PART NO.	SIZE	PACK QTY
TOOLTRM8CUT	8	1
TOOLTRM10CUT	10	1
TOOLTRM10-12CUT	10-12	1





# ANCHORS

<u>Seismic Anchors</u>	143
<u>Sleeve Anchors</u>	144-145
<u>Countersunk Sleeve Anchors</u>	145
<u>Flush Head Sleeve Anchors</u>	146
<u>Screw Bolt Anchors</u>	147-148
<u>Wedge Anchors (Thru Bolts)</u>	149
<u>Drop In Anchors</u>	150
<u>Nail In Anchors</u>	150-151
<u>Chem Set Studs</u>	152





# FM753 CRACK

Maximum performance,  
with seismic certification C2.



## SOLID EXPANSION

Stainless steel clip  
with proprietary design



## GREATER STABILITY

Nine gripping dents  
for undercutting  
action into concrete



**3DG  
COATING**

**1000 h**

Special anti-corrosion coating  
1000 hours in salt spray test



COMPLIES WITH  
**AS 5216:2018**  
FOR  
POST-INSTALLED  
FASTENINGS

## APPLICATIONS:

Steel/Aluminium constructions which require a high  
certified level of safety

Suspended applications

Data centres & high risk applications

Heavy duty machinery

Airports & transport infrastructure

Structural applications in seismic areas

Bridging & tunnelling

Public infrastructure



www.fdg.nz.com

0800 555 464

# SEISMIC ANCHOR



## COUNTERSUNK SCREW BOLT - C1 - SEISMIC

Ø	LENGTH	316 STAINLESS	
6mm	50mm		MXC6X50A4
6mm	85mm		MXC6X85A4
6mm	105mm		MXC6X105A4
8mm	80mm		MXC8X80A4



## SCREW BOLT ANCHOR HEX HD ZP - C1 - SEISMIC

Ø	LENGTH	ZINC	316 STAINLESS
6mm	50mm	MXB6X50Z-S	MXB6X50A4-S
6mm	60mm		MXB6X60A4-S
6mm	80mm	MXB6X80Z-S	
8mm	70mm	MXB8X70Z-S	MXB8X70A4-S
8mm	80mm	MXB8X80Z-S	MXB8X80A4-S
10mm	100mm	MXB10X100Z-S	MXB10X100A4-S
10mm	120mm		MXB10X120A4-S
12mm	110mm	MXB12X110Z-S	
16mm	150mm	MXB16X150Z-S	



## THRU BOLTS (WEDGE ANCHORS) - C1&C2 - SEISMIC

Ø	LENGTH	GALVANIZED	DIAMETER	LENGTH	316 STAINLESS
8mm	65mm	MTB8X65G-S	8mm	65mm	MTB8X65A4-S
8mm	75mm	MTB8X75G-S	8mm	75mm	MTB8X75A4-S
8mm	90mm	MTB8X90G-S	8mm	90mm	MTB8X90A4-S
8mm	115mm	MTB8X115G-S	8mm	115mm	MTB8X115A4-S
8mm	135mm	MTB8X135G-S	8mm	135mm	MTB8X135A4-S
10mm	90mm	MTB10X90G-S	10mm	90mm	MTB10X90A4-S
10mm	105mm	MTB10X105G-S	10mm	105mm	MTB10X105A4-S
10mm	115mm	MTB10X115G-S	10mm	115mm	
10mm	135mm	MTB10X135G-S	10mm	135mm	MTB10X135A4-S
10mm	185mm	MTB10X185G-S	10mm	185mm	MTB10X185A4-S
12mm	110mm	MTB12X110G-S	12mm	110mm	MTB12X110A4-S
12mm	120mm	MTB12X120G-S	12mm	120mm	MTB12X120A4-S
12mm	145mm	MTB12X145G-S	12mm	145mm	MTB12X145A4-S
16mm	130mm	MTB16X130G-S	16mm	130mm	MTB16X130A4-S
16mm	150mm	MTB16X150G-S	16mm	150mm	







Ø	LENGTH	YELLOW ZINC	GALVANIZED	316 STAINLESS
6mm	18mm	MSA6X18YZ		
6mm	25mm	MSA6X25YZ		
6mm	36mm	MSA6X36YZ		
6mm	40mm			MSA6X40A4
6mm	55mm			MSA6X55A4
6mm	75mm	MSA6X75YZ		
6.5mm	20mm	MSA6.5X20YZ	MSA6.5X20G	
6.5mm	25mm	MSA6.5X25YZ	MSA6.5X25G	
6.5mm	35mm	MSA6.5X35YZ	MSA6.5X35G	MSA6.5X35A4
6.5mm	55mm	MSA6.5X55YZ	MSA6.5X55G	MSA6.5X55A4
6.5mm	75mm	MSA6.5X75YZ	MSA6.5X75G	MSA6.5X75A4
8mm	40mm	MSA8X40YZ	MSA8X40G	MSA8X40A4
8mm	50mm			MSA8X50A4
8mm	65mm	MSA8X65YZ	MSA8X65G	MSA8X65A4
8mm	85mm	MSA8X85YZ	MSA8X85G	MSA8X85A4
8mm	90mm			MSA8X90A4
10mm	40mm	MSA10X40YZ	MSA10X40G	MSA10X40A4
10mm	50mm	MSA10X50YZ	MSA10X50G	MSA10X50A4
10mm	60mm	MSA10X60YZ	MSA10X60G	MSA10X60A4
10mm	75mm	MSA10X75YZ	MSA10X75G	MSA10X75A4
10mm	95mm	MSA10X95YZ	MSA10X95G	
10mm	100mm	MSA10X100YZ	MSA10X100G	MSA10X100A4
10mm	120mm	MSA10X120YZ		
10mm	125mm	MSA10X125YZ	MSA10X125G	
12mm	60mm	MSA12X60YZ	MSA12X60G	MSA12X60A4
12mm	75mm	MSA12X75YZ	MSA12X75G	MSA12X75A4
12mm	100mm	MSA12X100YZ	MSA12X100G	MSA12X100A4
12mm	130mm	MSA12X130YZ	MSA12X130G	MSA12X130A4
16mm	65mm	MSA16X65YZ	MSA16X65G	
16mm	100mm			MSA16X100A4
16mm	110mm	MSA16X110YZ	MSA16X110G	
16mm	111mm	MSA16X111YZ	MSA16X111G	
16mm	145mm	MSA16X145YZ	MSA16X145G	
20mm	75mm	MSA20X75YZ	MSA20X75G	
20mm	105mm	MSA20X105YZ	MSA20X105G	
20mm	150mm	MSA20X150YZ	MSA20X150G	

O HOOK		
Ø	LENGTH	YELLOW ZINC
8mm	45mm	MSACH8X45YZ
8mm	85mm	MSACH8X85YZ



C HOOK		
Ø	LENGTH	YELLOW ZINC
8mm	45mm	MSA0H8X45YZ



COUNTERSUNK			
Ø	LENGTH	YELLOW ZINC	304 STAINLESS
6mm	35mm	MSC6X35YZ	MSC6X35A4
6mm	55mm	MSC6X55YZ	MSC6X55A4
6mm	75mm	MSC6X75YZ	MSC6X75A4
6mm	100mm	MSC6X100YZ	MSC6X100A4
6.5mm	36mm	MSC6.5X36YZ	
6.5mm	55mm	MSC6.5X55YZ	
6.5mm	75mm	MSC6.5X75YZ	
8mm	60mm	MSC8X60YZ	MSC8X60A4
8mm	85mm	MSC8X85YZ	MSC8X85A4
8mm	100mm	MSC8X100YZ	MSC8X100A4
10mm	75mm	MSC10X75YZ	MSC10X75A4
10mm	100mm	MSC10X100YZ	MSC10X100A4
10mm	120mm	MSC10X120YZ	MSC10X120A4





Ø	LENGTH	YELLOW ZINC	316 STAINLESS
6.5mm	55mm	MSF6.5X55YZ	
6.5mm	75mm	MSF6.5X75YZ	
6.5mm	100mm	MSF6.5X100YZ	
8mm	45mm	MSF8X45YZ	MSF8X45A4
8mm	60mm	MSF8X60YZ	
8mm	70mm	MSF8X70YZ	MSF8X70A4
8mm	85mm	MSF8X85YZ	
8mm	90mm	MSF8X90YZ	
8mm	100mm	MSF8X100YZ	
10mm	40mm		MSF10X40A4
10mm	45mm	MSF10X45YZ	MSF10X45A4
10mm	55mm	MSF10X55YZ	
10mm	60mm		MSF10X60A4
10mm	75mm	MSF10X75YZ	
10mm	80mm	MSF10X80YZ	MSF10X80A4
10mm	100mm	MSF10X100YZ	MSF10X100A4
12mm	65mm	MSF12X65YZ	
12mm	75mm		MSF12X75A4
12mm	80mm	MSF12X80YZ	
12mm	110mm	MSF12X110YZ	
16mm	75mm	MSF16X75YZ	
16mm	110mm	MSF16X110YZ	



Ø	LENGTH	YELLOW ZINC	ZINC	GALVANIZED	BIMETAL
6mm	30mm	MXB6X30YZ		MXB6X30G	
6mm	45mm				MXB6X45A4
6mm	50mm	MXB6X50YZ		MXB6X50G	
6mm	60mm				MXB6X60A4
6mm	75mm	MXB6X75YZ		MXB6X75G	
6mm	80mm				MXB6X80A4
6mm	100mm	MXB6X100YZ		MXB6X100G	
8mm	60mm	MXB8X60YZ		MXB8X60G	
8mm	75mm	MXB8X75YZ		MXB8X75G	MXB8X75A4
8mm	100mm	MXB8X100YZ		MXB8X100G	
10mm	60mm	MXB10X60YZ	MXB10X60Z	MXB10X60G	
10mm	75mm	MXB10X75YZ		MXB10X75G	MXB10X75A4
10mm	80mm		MXB10X80Z	MXB10X80G	
10mm	100mm	MXB10X100YZ		MXB10X100G	MXB10X100A4
10mm	115mm				MXB10X115A4
10mm	120mm		MXB10X120Z		
10mm	125mm	MXB10X125YZ		MXB10X125G	
10mm	150mm	MXB10X150YZ		MXB10X150G	MXB12X150A4
12mm	75mm	MXB12X75YZ	MXB12X75Z	MXB12X75G	
12mm	100mm	MXB12X100YZ		MXB12X100G	
12mm	110mm		MXB12X110Z	MXB12X110G	
12mm	130mm		MXB12X130Z		
12mm	150mm	MXB12X150YZ		MXB12X150G	
12mm	230mm	MXB12X230YZ			
16mm	100mm	MXB16X100YZ		MXB16X100G	
16mm	130mm		MXB16X130Z	MXB16X130G	
16mm	150mm	MXB16X150YZ	MXB16X150Z	MXB16X150G	
16mm	200mm	MXB16X200YZ			
20mm	200mm	MXB20X200YZ			
20mm	300mm	MXB20X300YZ			

**Milwaukee**

**SDS PLUS DUST TRAP**

M-48033035

ADD A SDS PLUS DUST TRAP TO YOUR TOOL ORDER AND KEEP YOUR TEAM SAFE **CALL 0800 555 464**



COUNTERSUNK			
Ø	LENGTH	YELLOW ZINC	GALVANIZED
6mm	50mm	MXC6X50YZ	MXC6X50G
6mm	75mm	MXC6X75YZ	
6mm	100mm	MXC6X100YZ	
6.5mm	50mm	MXC6.5X50YZ	MXC6.5X50G
6.5mm	75mm	MXC6.5X75YZ	MXC6.5X75G
6.5mm	100mm	MXC6.5X100YZ	MXC6.5X100G
8mm	50mm	MXC8X50YZ	MXC8X50G
8mm	60mm		MXC8X60G
8mm	75mm	MXC8X75YZ	MXC8X75G
8mm	100mm	MXC8X100YZ	
10mm	60mm	MXC10X60YZ	MXC10X60G
10mm	75mm	MXC10X75YZ	
10mm	100mm	MXC10X100YZ	MXC10X100G
12mm	75mm	MXC12X75YZ	MXC12X75G
12mm	100mm	MXC12X100YZ	MXC12X100G
12mm	110mm	MXC12X110YZ	
12mm	150mm	MXC12X150YZ	MXC12X150G



EYE SCREW BOLT			
Ø	LENGTH	YELLOW ZINC	GALVANIZED
8mm	55mm	MXE8X55YZ	MXE8X55G
10mm	65mm	MXE10X65YZ	MXE10X65G
12mm	75mm	MXE12X75YZ	MXE12X75G

Ø	LENGTH	YELLOW ZINC	GALVANIZED	316 STAINLESS
8mm	50mm		MTB8X50G	
8mm	65mm		MTB8X65G	
8mm	90mm		MTB8X90G	
10mm	60mm		MTB10X60G	
10mm	75mm		MTB10X75G	MTB10X75A4
10mm	90mm		MTB10X90G	MTB10X90A4
10mm	120mm		MTB10X120G	
12mm	80mm	MTB12X80YZ	MTB12X80G	MTB12X80A4
12mm	100mm	MTB12X100YZ	MTB12X100G	MTB12X100A4
12mm	120mm	MTB12X120YZ	MTB12X120G	MTB12X120A4
12mm	140mm	MTB12X140YZ	MTB12X140G	MTB12X140A4
12mm	180mm	MTB12X180YZ	MTB12X180G	MTB12X180A4
16mm	100mm	MTB16X100YZ	MTB16X100G	MTB16X100A4
16mm	105mm		MTB16X105G	MTB16X105A4
16mm	110mm		MTB16X110G	
16mm	125mm	MTB16X125YZ	MTB16X125G	MTB16X125A4
16mm	140mm	MTB16X140YZ	MTB16X140G	MTB16X140A4
16mm	180mm		MTB16X180G	MTB16X180A4
20mm	120mm	MTB20X120YZ	MTB20X120G	MTB20X120A4
20mm	125mm	MTB20X125YZ	MTB20X125G	
20mm	160mm	MTB20X160YZ	MTB20X160G	MTB20X160A4
20mm	173mm		MTB20X173G	
20mm	180mm		MTB20X180G	
20mm	200mm		MTB20X200G	
20mm	215mm		MTB20X215G	







Ø	YELLOW ZINC		316 STAINLESS
		LIPPED	
6mm	MDIAM6X8YZ		MDIAM6A4
8mm	MDIAM8X10YZ		MDIAM8A4
10mm	MDIAM10X40YZ	MDIALM10X30YZ	MDIAM10A4
12mm	MDIAM12X50YZ	MDIALM12X50YZ	MDIAM12A4
16mm	MDIAM16X65YZ		MDIAM16A4
20mm	MDIAM20X80YZ		

Ø	LENGTH	ZINC	304 STAINLESS
5mm	22mm	MPA5X22Z	MPA5X22SS
6mm	25mm	MPA6X25Z	
6mm	32mm	MPA6X32Z	MPA6.5X32SS
6mm	40mm	MPA6X40Z	
6mm	50mm	MPA6X50Z	
6.5mm	25mm	MPA6.5X25Z	
6.5mm	40mm	MPA6.5X40Z	
6.5mm	50mm	MPA6.5X50Z	

Ø	LENGTH	MUSHROOM HEAD		COUNTERSUNK	ROUND HEAD	
		ZINC	316 STAINLESS	ZINC	ZINC	316 STAINLESS
5mm	19mm	MNM5X19Z				
5mm	25mm	MNM5X25Z	MNM5X25SS	MNC5X25Z	MNR5X25Z	MNR5X25SS
5mm	40mm	MNM5X40Z		MNC5X40Z	MNR5X40Z	
6mm	25mm	MNMZ6X25Z	MNM6X25SS	MNC6X25Z		
6mm	40mm		MNM6X40SS	MNC6X40Z		
6mm	50mm			MNC6X50Z		
6mm	75mm			MNC6X75Z		
6.5mm	10mm	MNM6.5X10Z				
6.5mm	25mm	MNM6.5X25Z			MNR6.5X25Z	
6.5mm	40mm	MNM6.5X40Z			MNR6.5X40Z	MNR6.5X40SS
6.5mm	50mm	MNM6.5X50Z			MNR6.5X50Z	
6.5mm	75mm	MNM6.5X75Z			MNR6X75Z	

Ø	LENGTH	MUSHROOM HEAD		COUNTERSUNK HEAD	
		ZINC	316 STAINLESS	ZINC	316 STAINLESS
5mm	38mm	MDS5X25Z			
5mm	50mm		MDS5X38A4		
5mm	38mm		MDS5X50A4		
6mm	50mm	MDS6X38Z		MDSC6X38Z	MDSC6X38A4
6mm	65mm	MDS6X50Z			MDSC6X50A4
6mm	75mm				MDSC6X65A4
6mm	100mm				MDSC6X75A4
6mm	25mm				MDSC6X100A4
6.5mm	38mm	MDS6.5X25Z			
6.5mm	40mm	MDS6.5X38Z	MDS6.5X38A4		
6.5mm	50mm	MDS6.5X40Z		MDSC6.5X40Z	MDSC6.5X40A4
6.5mm	65mm	MDS6.5X50Z	MDS6.5X50A4	MDSC6.5X50Z	MDSC6.5X50A4
6.5mm	75mm	MDS6.5X65Z		MDSC6.5X65Z	MDSC6.5X65A4
6.5mm	100mm	MDS6.5X75Z		MDSC6.5X75Z	MDSC6.5X75A4
6.5mm	100	MDS6.5X100Z			MDSC6.5X100A4



Ø	YELLOW ZINC	GALVANIZED	316 STAINLESS
8mm	MKSC8Y	MKSC8G	MKSC8A4
10mm	MKSC10Y	MKSC10G	MKSC10A4
12mm	MKSC12Y	MKSC12G	MKSC12A4
16mm	MKSC16Y	MKSC16G	MKSC16A4
20mm	MKSC20Y	MKSC20G	MKSC20A4
24mm	MKSC24Y	MKSC24G	MKSC24A4



Ø	LENGTH	BLUE	
		COUNTERSUNK	HEX
6mm	32mm	MZSCH6X32	
6mm	45mm	MZSCH6X45	
6mm	57mm	MZSCH6X57	
6mm	80mm	MZSCH6X80	
6mm	55mm	MZSCPH6X55	
6mm	70mm	MZSCPH6X70	
6mm	95mm	MZSCPH6X95	
6mm	100mm	MZSCH6X100	
6.5mm	32mm	MZSCH6.5X32	MZSH6.5X32
6.5mm	45mm	MZSCH6.5X45	MZSH6.5X45
6.5mm	55mm	MZSCH6.5X55	MZSH6.5X55
6.5mm	70mm	MZSCH6.5X70	MZSH6.5X70
6.5mm	80mm	MZSCH6.5X80	MZSH6.5X80
6.5mm	90mm	MZSCH6.5X90	MZSH6.5X90
6.5mm	100mm	MZSCH6.5X100	MZSH6.5X100

## M18 FUEL™ 26MM SDS PLUS ROTARY HAMMER KIT

M-M18CH-502C





# SCREWS

<u>Type 17 HWF Screws</u>	156
<u>Type 17 Bugle Batten Screws</u>	157
<u>Self Drilling Metal Screws</u>	158-159
<u>Self Drilling Metal SDM Pan</u>	159
<u>Self Tapping Screws</u>	160-165
<u>Truck Deck Screws</u>	166
<u>Machine Screws</u>	167-175
<u>Surefix Screws</u>	176-177
<u>Wall Plug</u>	178





#	LENGTH	YELLOW ZINC	GALVANIZED		316 STAINLESS
		NO NEO	NO NEO	WITH NEO	NO NEO
10g	20mm	T1710-12X20HWFYZ	T1710-12X20HWFNG	T1710-12X20HWFNG	
10g	25mm	T1710-12X25HWFYZ	T1710-12X25HWFNG	T1710-12X25HWFNG	

12g	25mm	T1712-11X25HWFYZ	T1712-11X25HWFNG	T1712-11X25HWFNG	T1712-11X25HWF4
12g	35mm	T1712-11X35HWFYZ	T1712-11X35HWFNG	T1712-11X35HWFNG	T1712-11X35HWF4
12g	40mm	T1712-11X40HWFYZ	T1712-11X40HWFNG	T1712-11X40HWFNG	
12g	45mm	T1712-11X45HWFYZ	T1712-11X45HWFNG	T1712-11X45HWFNG	
12g	50mm	T1712-11X50HWFYZ	T1712-11X50HWFNG	T1712-11X50HWFNG	T1712-11X50HWF4
12g	65mm	T1712-11X65HWFYZ	T1712-11X65HWFNG	T1712-11X65HWFNG	T1712-11X65HWF4
12g	75mm		T1712-11X75HWFNG	T1712-11X75HWFNG	T1712-11X75HWF4

14g	25mm		T1714-10X25HWFNG	T1714-10X25HWFNG	T1714-10X25HWF4
14g	30mm		T1714-10X30HWFNG		
14g	35mm				T1714-10X35HWF4
14g	50mm	T1714-10X50HWFYZ	T1714-10X50HWFNG	T1714-10X50HWFNG	T1714-10X50HWF4
14g	65mm	T1714-10X65HWFYZ	T1714-10X65HWFNG	T1714-10X65HWFNG	T1714-10X65HWF4
14g	75mm	T1714-10X75HWFYZ	T1714-10X75HWFNG	T1714-10X75HWFNG	T1714-10X75HWF4
14g	90mm		T1714-10X90HWFNG	T1714-10X90HWFNG	T1714-10X90HWF4
14g	100mm	T1714-10X100HWFYZ	T1714-10X100HWFNG	T1714-10X100HWFNG	T1714-10X100HWF4
14g	115mm		T1714-10X115HWFNG	T1714-10X115HWFNG	
14g	125mm		T1714-10X125HWFNG	T1714-10X125HWFNG	T1714-10X125HWF4
14g	150mm		T1714-10X150HWFNG	T1714-10X150HWFNG	T1714-10X150HWF4
14g	200mm		T1714-10X200HWFNG	T1714-10X200HWFNG	
14g	250mm			T1714-10X250HWFNG	

BUGLE BATTEN					
#	LENGTH	YELLOW ZINC	GALVANIZED	316 STAINLESS	
		14g	2"	T17BH14X2YZ	T17BH14X2G
14g	2-1/2"	T17BH14X2-1/2YZ	T17BH14X2-1/2G		
14g	3"	T17BH14X3YZ	T17BH14X3G	T17BH14X3A4	
14g	3-1/2"		T17BH14X3-1/2G		
14g	4"	T17BH14X4YZ	T17BH14X4G	T17BH14X4A4	
14g	5"		T17BH14X5G	T17BH14X5A4	
14g	5"		T17BH14X6G	T17BH14X6A4	
14g	8"		T17BH14X8G		

#	LENGTH	WAFER HEAD PHILLIPS DRIVE		WAFER HEAD SQUARE DRIVE	
		YELLOW ZINC	GALVANIZED	YELLOW ZINC	GALVANIZED
10g	25mm	T17WPH10-12X25YZ	T17WPH10-12X25G	T17WPQ10-12X25YZ	T17WPQ10-12X25G
10g	35mm	T17WPH10-12X35YZ	T17WPH10-12X35G	T17WPQ10-12X35YZ	T17WPQ10-12X35G
10g	45mm	T17WPH10-12X45YZ	T17WPH10-12X45G	T17WPQ10-12X45YZ	T17WPQ10-12X45G





#	LENGTH	YELLOW ZINC	GALVANIZED		410 STAINLESS	GALVANIZED
		NO NEO	NO NEO	WITH NEO	NO NEO	EXTEND POINT
8g	12mm	SDMHWF8-18X12YZ	SDMHWF8-18X12G	SDMHWF8-18X12NG	SDMHWF10-16X16SS	
8g	20mm	SDMHWF8-18X20YZ	SDMHWF8-18X20G	SDMHWF8-18X20NG		

10g	16mm	SDMHWF10-16X16YZ	SDMHWF10-16X16G	SDMHWF10-16X16NG		
10g	16mm	SDMHWF10-24X16YZ	SDMHWF10-24X16G	SDMHWF10-24X16NG		
10g	20mm	SDMHWF10-16X20YZ	SDMHWF10-16X20G	SDMHWF10-16X20NG		
10g	25mm	SDMHWF10-16X25YZ	SDMHWF10-16X25G	SDMHWF10-16X25NG		

12g	20mm	SDMHWF12-14X20YZ	SDMHWF12-14X20G	SDMHWF12-14X20NG		
12g	20mm	SDMHWF12-24X20YZ	SDMHWF12-24X20G	SDMHWF12-24X20NG		
12g	25mm	SDMHWF12-14X25YZ	SDMHWF12-14X25G	SDMHWF12-14X25NG	SDMHWF12-14X25SS	
12g	25mm		SDMHWF12-24X25G	SDMHWF12-24X25NG		
12g	30mm	SDMHWF12-14X30YZ	SDMHWF12-14X30G	SDMHWF12-14X30NG		
12g	35mm	SDMHWF12-14X35YZ	SDMHWF12-14X35G	SDMHWF12-14X35NG	SDMHWF12-14X35SS	SDMHWF12-24X32P5G
12g	35mm		SDMHWF12-24X35G	SDMHWF12-24X35NG		
12g	38mm				SDMHWF12-14X38SS	
12g	40mm				SDMHWF12-14X40SS	
12g	45mm	SDMHWF12-14X45YZ	SDMHWF12-14X45G	SDMHWF12-14X45NG	SDMHWF12-14X45SS	
12g	50mm			SDMHWF12-14X50NG	SDMHWF12-14X50SS	SDMHWF12-24X50P5G
12g	55mm	SDMHWF12-14X55YZ	SDMHWF12-14X55G	SDMHWF12-14X55NG		
12g	65mm	SDMHWF12-14X65YZ	SDMHWF12-14X65G	SDMHWF12-14X65NG	SDMHWF12-14X65SS	SDMHWF12-24X65P5G
12g	75mm	SDMHWF12-14X75YZ	SDMHWF12-14X75G	SDMHWF12-14X75NG	SDMHWF12-14X75SS	SDMHWF12-24X75P5G

14g	20mm		SDMHWF14-10X20G			
14g	22mm	SDMHWF14-10X20YZ	SDMHWF14-10X22G	SDMHWF14-10X22NG		
14g	22mm	SDMHWF14-10X22YZ	SDMHWF14-20X22G	SDMHWF14-20X22NG		
14g	25mm				SDMHWF14-14X25SS	
14g	32mm				SDMHWF14-14X32SS	
14g	38mm				SDMHWF14-14X38SS	
14g	40mm				SDMHWF14-14X40SS	
14g	42mm		SDMHWF14-10X42G	SDMHWF14-10X42NG		
14g	45mm				SDMHWF14-14X45SS	
14g	50mm		SDMHWF14-10X50G	SDMHWF14-10X50NG	SDMHWF14-14X50SS	
14g	65mm		SDMHWF14-10X65G	SDMHWF14-10X65NG	SDMHWF14-14X65SS	
14g	75mm		SDMHWF14-10X75G	SDMHWF14-10X75NG	SDMHWF14-14X75SS	
14g	90mm		SDMHWF14-10X90G	SDMHWF14-10X90NG	SDMHWF14-14X90SS	
14g	90mm		SDMHWF14-20X90G			



#	LENGTH	GALVANIZED		410 STAINLESS
		NO NEO	WITH NEO	NO NEO
14g	98mm		SDMHWF14-10X95NG	
14g	100mm		SDMHWF14-10X100NG	
14g	115mm	SDMHWF14-10X115G	SDMHWF14-10X115NG	
14g	115mm	SDMHWF14-20X115G	SDMHWF14-20X115NG	
14g	125mm		SDMHWF14-10X125NG	SDMHWF14-14X125SS
14g	135mm	SDMHWF14-10X135G	SDMHWF14-10X135NG	
14g	135mm	SDMHWF14-20X135G	SDMHWF14-20X135NG	
14g	150mm	SDMHWF14-10X150G	SDMHWF14-10X150NG	
14g	150mm	SDMHWF14-20X150G	SDMHWF14-20X150NG	
14g	200mm		SDMHWF14-14X200NG	
14g	200mm		SDMHWF14-20X200NG	
14g	250mm		SDMHWF14-14X250NG	

#	LENGTH	410 STAINLESS SDM PAN	
		PHILLIPS DRIVE	SQUARE DRIVE
8g	1/2"	SDMPPH8X1/2SS	SDMPQ8X1/2SS
8g	5/8"		SDMPQ8X5/8SS
8g	3/4"	SDMPPH8X3/4SS	SDMPQ8X3/4SS
8g	1"	SDMPPH8X1SS	SDMPQ8X1SS
8g	1-1/4"	SDMPPH8X1-1/4SS	SDMPQ8X1-1/4SS
8g	1-1/2"	SDMPPH8X1-1/2SS	SDMPQ8X1-1/2SS
10g	1/2"		SDMPQ10X1/2SS
10g	5/8"	SDMPPH10X5/8SS	SDMPQ10X5/8SS
10g	3/4"	SDMPPH10X3/4SS	SDMPQ10X3/4SS
10g	1"	SDMPPH10X1SS	SDMPQ10X1SS
10g	1-1/4"	SDMPPH10X1-1/4SS	SDMPQ10X1-1/4SS
10g	1-1/2"	SDMPPH10X1-1/2SS	SDMPQ10X1-1/2SS
10g	2"	SDMPPH10X2SS	SDMPQ10X2SS





#	LENGTH	ZINC PLATED	
		POZI DRIVE	SQUARE DRIVE
4g	1/4"	STSPZ4X1/4Z	
4g	5/16"	STSPZ4X5/16Z	
4g	3/8"	STSPZ4X3/8Z	
4g	1/2"	STSPZ4X1/2Z	
4g	5/8"	STSPZ4X5/8Z	
4g	3/4"	STSPZ4X3/4Z	
4g	1"	STSPZ4X1Z	

6g	1/4"	STSPZ6X1/4Z	
6g	3/8"	STSPZ6X3/8Z	
6g	1/2"	STSPZ6X1/2Z	STSPQ6X1/2Z
6g	5/8"		STSPQ6X5/8Z
6g	3/4"	STSPZ6X3/4Z	STSPQ6X3/4Z
6g	1"	STSPZ6X1Z	STSPQ6X1Z
6g	1-1/4"	STSPZ6X1-1/4Z	
6g	1-1/2"	STSPZ6X1-1/2Z	

8g	1/4"	STSPZ8X1/4Z	
8g	3/8"	STSPZ8X3/8Z	
8g	1/2"	STSPZ8X1/2Z	STSPQ8X1/2Z
8g	5/8"	STSPZ8X5/8Z	STSPQ8X5/8Z
8g	3/4"	STSPZ8X3/4Z	STSPQ8X3/4Z
8g	1"	STSPZ8X1Z	STSPQ8X1Z
8g	1-1/4"	STSPZ8X1-1/4Z	STSPQ8X1-1/4Z
8g	1-1/2"	STSPZ8X1-1/2Z	
8g	1-3/4"	STSPZ8X1-3/4Z	
8g	2"	STSPZ8X2Z	

#	LENGTH	ZINC PLATED	
		POZI DRIVE	SQUARE DRIVE
10g	1/2"	STSPZ10X1/2Z	
10g	5/8"	STSPZ10X5/8Z	STSPQ10X5/8Z
10g	3/4"	STSPZ10X3/4Z	STSPQ10X3/4Z
10g	1"	STSPZ10X1Z	STSPQ10X1Z
10g	1-1/4"	STSPZ10X1-1/4Z	
10g	1-1/2"	STSPZ10X1-1/2Z	STSPQ10X1-1/2Z
10g	1-3/4"	STSPZ10X1-3/4Z	
10g	2"	STSPZ10X2Z	

12g	1/2"	STSPZ12X1/2Z	
12g	5/8"	STSPZ12X5/8Z	
12g	3/4"	STSPZ12X3/4Z	
12g	1"	STSPZ12X1Z	
12g	1-1/4"		STSPQ12X1-1/4Z
12g	1-1/2"	STSPZ12X1-1/2Z	
12g	2"	STSPZ12X2Z	

14g	1/2"	STSPZ14X1/2Z	
14g	3/4"	STSPZ14X3/4Z	
14g	1"	STSPZ14X1Z	

#	LENGTH	ZINC PLATED
		POZI DRIVE
4g	5/16"	STSCSKPZ4X5/16Z
4g	3/8"	STSCSKPZ4X3/8Z
4g	1/2"	STSCSKPZ4X1/2Z
4g	5/8"	STSCSKPZ4X5/8Z
4g	3/4"	STSCSKPZ4X3/4Z
4g	1"	STSCSKPZ4X1Z

6g	3/8"	STSCSKPZ6X3/8Z
6g	1/2"	STSCSKPZ6X1/2Z
6g	5/8"	STSCSKPZ6X5/8Z
6g	3/4"	STSCSKPZ6X3/4Z
6g	1"	STSCSKPZ6X1Z

8g	1/2"	STSCSKPZ8X1/2Z
8g	5/8"	STSCSKPZ8X5/8Z
8g	3/4"	STSCSKPZ8X3/4Z
8g	1"	STSCSKPZ8X1Z
8g	1-1/4"	STSCSKPZ8X1-1/4Z
8g	1-1/2"	STSCSKPZ8X1-1/2Z

GAUGE	LENGTH	ZINC PLATED
		POZI DRIVE
10g	1/2"	STSCSKPZ10X1/2Z
10g	5/8"	STSCSKPZ10X3/4Z
10g	3/4"	STSCSKPZ10X1Z
10g	1"	STSCSKPZ10X1-1/4Z
10g	1-1/4"	STSCSKPZ10X1-1/2Z
10g	1-3/4"	STSCSKPZ10X2Z

12g	1"	STSCSKPZ12X1Z
12g	1-1/4"	STSCSKPZ12X1-1/4Z
12g	1-1/2"	STSCSKPZ12X1-1/2Z
12g	2"	STSCSKPZ12X2Z

14g	1-1/4"	STSCSKPZ14X1-1/4Z
-----	--------	-------------------



CHECK OUT OUR WIDE RANGE OF **DRIVER BITS** ON PAGE 310-312







#	LENGTH	304 STAINLESS			316 STAINLESS	
		PHILLIPS DRIVE	POZI DRIVE	SQUARE DRIVE	POZI DRIVE	SQUARE DRIVE
4g	3/8"	STSPPH4X3/8A2	STSPZ4X3/8A2	STSPQ4X3/8A2		
4g	1/2"	STSPPH4X1/2A2	STSPZ4X1/2A2	STSPQ4X1/2A2		STSPQ4X1/2A4
4g	5/8"	STSPPH4X5/8A2	STSPZ4X5/8A2	STSPQ4X5/8A2		STSPQ4X5/8A4
4g	3/4"	STSPPH4X3/4A2	STSPZ4X3/4A2	STSPQ4X3/4A2		STSPQ4X3/4A4
4g	1"	STSPPH4X1A2	STSPZ4X1A2	STSPQ4X1A2		STSPQ4X1A4
4g	1-1/4"		STSPZ4X1-1/4A2	STSPQ4X1-1/4A2		

6g	1/4"	STSPPH6X1/4A2	STSPZ6X1/4A2	STSPQ6X1/4A2		STSPQ6X1/4A4
6g	3/8"	STSPPH6X3/8A2	STSPZ6X3/8A2	STSPQ6X3/8A2	STSPZ6X3/8A4	STSPQ6X3/8A4
6g	1/2"	STSPPH6X1/2A2	STSPZ6X1/2A2	STSPQ6X1/2A2	STSPZ6X1/2A4	STSPQ6X1/2A4
6g	5/8"	STSPPH6X5/8A2	STSPZ6X5/8A2	STSPQ6X5/8A2	STSPZ6X5/8A4	STSPQ6X5/8A4
6g	3/4"	STSPPH6X3/4A2	STSPZ6X3/4A2	STSPQ6X3/4A2	STSPZ6X3/4A4	STSPQ6X3/4A4
6g	1"	STSPPH6X1A2	STSPZ6X1A2	STSPQ6X1A2	STSPZ6X1A4	STSPQ6X1A4
6g	1-1/4"	STSPPH6X1-1/4A2	STSPZ6X1-1/4A2	STSPQ6X1-1/4A2		STSPQ6X1-1/4A4
6g	1-1/2"	STSPPH6X1-1/2A2	STSPZ6X1-1/2A2	STSPQ6X1-1/2A2		
6g	2"		STSPZ6X2A2	STSPQ6X2A2	STSPZ6X2A4	

8g	3/8"	STSPPH8X3/8A2	STSPZ8X3/8A2	STSPQ8X3/8A2		
8g	1/2"	STSPPH8X1/2A2	STSPZ8X1/2A2	STSPQ8X1/2A2	STSPZ8X1/2A4	STSPQ8X1/2A4
8g	5/8"	STSPPH8X5/8A2	STSPZ8X5/8A2	STSPQ8X5/8A2	STSPZ8X5/8A4	STSPQ8X5/8A4
8g	3/4"	STSPPH8X3/4A2	STSPZ8X3/4A2	STSPQ8X3/4A2	STSPZ8X3/4A4	STSPQ8X3/4A4
8g	1"	STSPPH8X1A2	STSPZ8X1A2	STSPQ8X1A2	STSPZ8X1A4	STSPQ8X1A4
8g	1-1/4"	STSPPH8X1-1/4A2	STSPZ8X1-1/4A2	STSPQ8X1-1/4A2	STSPZ8X1-1/4A4	STSPQ8X1-1/4A4
8g	1-1/2"	STSPPH8X1-1/2A2	STSPZ8X1-1/2A2	STSPQ8X1-1/2A2	STSPZ8X1-1/2A4	STSPQ8X1-1/2A4
8g	1-3/4"			STSPQ8X1-3/4A2		
8g	2"	STSPPH8X2A2	STSPZ8X2A2	STSPQ8X2A2		STSPQ8X2A4
8g	2-1/2"		STSPZ8X2-1/2A2	STSPQ8X2-1/2A2		

#	LENGTH	304 STAINLESS			316 STAINLESS	
		PHILLIPS DRIVE	POZI DRIVE	SQUARE DRIVE	POZI DRIVE	SQUARE DRIVE
10g	3/8"	STSPPH10X3/8A2	STSPZ10X3/8A2	STSPQ10X3/8A2		
10g	1/2"	STSPPH10X1/2A2	STSPZ10X1/2A2	STSPQ10X1/2A2	STSPZ10X1/2A4	STSPQ10X1/2A4
10g	5/8"	STSPPH10X5/8A2	STSPZ10X5/8A2	STSPQ10X5/8A2	STSPZ10X5/8A4	STSPQ10X5/8A4
10g	3/4"	STSPPH10X3/4A2	STSPZ10X3/4A2	STSPQ10X3/4A2	STSPZ10X3/4A4	STSPQ10X3/4A4
10g	1"	STSPPH10X1A2	STSPZ10X1A2	STSPQ10X1A2	STSPZ10X1A4	STSPQ10X1A4
10g	1-1/4"	STSPPH10X1-1/4A2	STSPZ10X1-1/4A2	STSPQ10X1-1/4A2	STSPZ10X1-1/4A4	STSPQ10X1-1/4A4
10g	1-1/2"	STSPPH10X1-1/2A2	STSPZ10X1-1/2A2	STSPQ10X1-1/2A2	STSPZ10X1-1/2A4	STSPQ10X1-1/2A4
10g	1-3/4"			STSPQ10X1-3/4A2		
10g	2"	STSPPH10X2A2	STSPZ10X2A2	STSPQ10X2A2		STSPQ10X2A4
10g	2-1/2"	STSPPH10X2-1/2A2	STSPZ10X2-1/2A2	STSPQ10X2-1/2A2		
10g	3"	STSPPH10X3A2	STSPZ10X3A2	STSPQ10X3A2		STSPQ10X3A4
10g	3-1/2"			STSPQ10X3-1/2A2		
10g	4"	STSPPH10X4A2		STSPQ10X4A2		STSPQ10X4A4

12g	1/2"	STSPPH12X1/2A2	STSPZ12X1/2A2	STSPQ12X1/2A2		
12g	5/8"	STSPPH12X5/8A2	STSPZ12X5/8A2	STSPQ12X5/8A2	STSPZ12X5/8A4	
12g	3/4"	STSPPH12X3/4A2	STSPZ12X3/4A2	STSPQ12X3/4A2	STSPZ12X3/4A4	STSPQ12X3/4A4
12g	1"	STSPPH12X1A2	STSPZ12X1A2	STSPQ12X1A2	STSPZ12X1A4	STSPQ12X1A4
12g	1-1/4"	STSPPH12X1-1/4A2	STSPZ12X1-1/4A2	STSPQ12X1-1/4A2	STSPZ12X1-1/4A4	STSPQ12X1-1/4A4
12g	1-1/2"	STSPPH12X1-1/2A2	STSPZ12X1-1/2A2	STSPQ12X1-1/2A2	STSPZ12X1-1/2A4	STSPQ12X1-1/2A4
12g	1-3/4"	STSPPH12X1-3/4A2	STSPZ12X1-3/4A2	STSPQ12X1-3/4A2	STSPZ12X1-3/4A4	
12g	2"	STSPPH12X2A2	STSPZ12X2A2	STSPQ12X2A2	STSPZ12X2A4	STSPQ12X2A4
12g	2-1/2"	STSPPH12X2-1/2A2	STSPZ12X2-1/2A2	STSPQ12X2-1/2A2		
12g	3"	STSPPH12X3A2	STSPZ12X3A2	STSPQ12X3A2		
12g	4"			STSPQ12X4A2		

14g	3/4"	STSPPH14X3/4A2	STSPZ14X3/4A2	STSPQ14X3/4A2		
14g	1"	STSPPH14X1A2	STSPZ14X1A2	STSPQ14X1A2	STSPZ14X1A4	STSPQ14X1A4
14g	1-1/4"	STSPPH14X1-1/4A2	STSPZ14X1-1/4A2	STSPQ14X1-1/4A2	STSPZ14X1-1/4A4	
14g	1-1/2"	STSPPH14X1-1/2A2	STSPZ14X1-1/2A2	STSPQ14X1-1/2A2	STSPZ14X1-1/2A4	
14g	1-3/4"			STSPQ14X1-3/4A2		
14g	2"	STSPPH14X2A2	STSPZ14X2A2	STSPQ14X2A2	STSPZ14X2A4	
14g	2-1/2"	STSPPH14X2-1/2A2	STSPZ14X2-1/2A2	STSPQ14X2-1/2A2		
14g	3"	STSPPH14X3A2		STSPQ14X3A2		
14g	4"			STSPQ14X4A2		



#	LENGTH	304 STAINLESS				316 STAINLESS	
		PHILLIPS DRIVE	PHILLIPS DRIVE	POZI DRIVE	SQUARE DRIVE	POZI DRIVE	SQUARE DRIVE
4g	1/4"	STSCSKPZ4X1/4A2	STSCSKPH4X1/4A2	STSCSKPZ4X1/4A2	STSCSKQ4X1/4A2		
4g	3/8"	STSCSKPZ4X3/8A2	STSCSKPH4X3/8A2	STSCSKPZ4X3/8A2	STSCSKQ4X3/8A2		STSCSKQ4X3/8A4
4g	1/2"	STSCSKPZ4X1/2A2	STSCSKPH4X1/2A2	STSCSKPZ4X1/2A2	STSCSKQ4X1/2A2		STSCSKQ4X1/2A4
4g	5/8"	STSCSKPZ4X5/8A2	STSCSKPH4X5/8A2	STSCSKPZ4X5/8A2	STSCSKQ4X5/8A2		STSCSKQ4X5/8A4
4g	3/4"	STSCSKPZ4X3/4A2	STSCSKPH4X3/4A2	STSCSKPZ4X3/4A2	STSCSKQ4X3/4A2		STSCSKQ4X3/4A4
4g	1"	STSCSKPZ4X1A2	STSCSKPH4X1A2	STSCSKPZ4X1A2	STSCSKQ4X1A2		STSCSKQ4X1A4

6g	1/4"				STSCSKQ6X1/4A2		
6g	3/8"	STSCSKPZ6X3/8A2		STSCSKPZ6X3/8A2	STSCSKQ6X3/8A2	STSCSKPZ6X3/8A4	STSCSKQ6X3/8A4
6g	1/2"	STSCSKPZ6X1/2A2	STSCSKPH6X1/2A2	STSCSKPZ6X1/2A2	STSCSKQ6X1/2A2	STSCSKPZ6X1/2A4	STSCSKQ6X1/2A4
6g	5/8"	STSCSKPZ6X5/8A2	STSCSKPH6X5/8A2	STSCSKPZ6X5/8A2	STSCSKQ6X5/8A2	STSCSKPZ6X5/8A4	STSCSKQ6X5/8A4
6g	3/4"	STSCSKPZ6X3/4A2	STSCSKPH6X3/4A2	STSCSKPZ6X3/4A2	STSCSKQ6X3/4A2	STSCSKPZ6X3/4A4	STSCSKQ6X3/4A4
6g	1"	STSCSKPZ6X1A2	STSCSKPH6X1A2	STSCSKPZ6X1A2	STSCSKQ6X1A2	STSCSKPZ6X1A4	STSCSKQ6X1A4
6g	1-1/4"	STSCSKPZ6X1-1/4A2	STSCSKPH6X1-1/4A2	STSCSKPZ6X1-1/4A2	STSCSKQ6X1-1/4A2	STSCSKPZ6X1-1/4A4	STSCSKQ6X1-1/4A4
6g	1-1/2"	STSCSKPZ6X1-1/2A2	STSCSKPH6X1-1/2A2	STSCSKPZ6X1-1/2A2	STSCSKQ6X1-1/2A2	STSCSKPZ6X1-1/2A4	STSCSKQ6X1-1/2A4
6g	2"	STSCSKPZ6X2A2	STSCSKPH6X2A2	STSCSKPZ6X2A2	STSCSKQ6X2A2		

8g	3/8"	STSCSKPZ8X3/8A2	STSCSKPH8X3/8A2	STSCSKPZ8X3/8A2	STSCSKQ8X3/8A2	STSCSKPZ8X3/8A4	
8g	1/2"	STSCSKPZ8X1/2A2	STSCSKPH8X1/2A2	STSCSKPZ8X1/2A2	STSCSKQ8X1/2A2	STSCSKPZ8X1/2A4	STSCSKQ8X1/2A4
8g	5/8"	STSCSKPZ8X5/8A2	STSCSKPH8X5/8A2	STSCSKPZ8X5/8A2	STSCSKQ8X5/8A2	STSCSKPZ8X5/8A4	STSCSKQ8X5/8A4
8g	3/4"	STSCSKPZ8X3/4A2	STSCSKPH8X3/4A2	STSCSKPZ8X3/4A2	STSCSKQ8X3/4A2	STSCSKPZ8X3/4A4	STSCSKQ8X3/4A4
8g	1"	STSCSKPZ8X1A2	STSCSKPH8X1A2	STSCSKPZ8X1A2	STSCSKQ8X1A2	STSCSKPZ8X1A4	STSCSKQ8X1A4
8g	1-1/4"	STSCSKPZ8X1-1/4A2	STSCSKPH8X1-1/4A2	STSCSKPZ8X1-1/4A2	STSCSKQ8X1-1/4A2	STSCSKPZ8X1-1/4A4	STSCSKQ8X1-1/4A4
8g	1-1/2"	STSCSKPZ8X1-1/2A2	STSCSKPH8X1-1/2A2	STSCSKPZ8X1-1/2A2	STSCSKQ8X1-1/2A2	STSCSKPZ8X1-1/2A4	STSCSKQ8X1-1/2A4
8g	1-3/4"	STSCSKPZ8X1-3/4A2	STSCSKPH8X1-3/4A2	STSCSKPZ8X1-3/4A2	STSCSKQ8X1-3/4A2	STSCSKPZ8X1-3/4A4	STSCSKQ8X1-3/4A4
8g	2"	STSCSKPZ8X2A2	STSCSKPH8X2A2	STSCSKPZ8X2A2	STSCSKQ8X2A2	STSCSKPZ8X2A4	STSCSKQ8X2A4
8g	2-1/2"	STSCSKPZ8X2-1/2A2		STSCSKPZ8X2-1/2A2	STSCSKQ8X2-1/2A2		STSCSKQ8X2-1/2A4
8g	3"	STSCSKPZ8X3A2		STSCSKPZ8X3A2	STSCSKQ8X3A2	STSCSKPZ8X3A4	STSCSKQ8X3A4

#	LENGTH	304 STAINLESS				316 STAINLESS	
		PHILLIPS DRIVE	PHILLIPS DRIVE	POZI DRIVE	SQUARE DRIVE	POZI DRIVE	SQUARE DRIVE
10g	3/8"	STSCSKPZ10X3/8A2		STSCSKPZ10X3/8A2			STSCSKQ10X1/2A4
10g	1/2"	STSCSKPZ10X1/2A2	STSCSKPH10X1/2A2	STSCSKPZ10X1/2A2	STSCSKQ10X1/2A2	STSCSKPZ10X1/2A4	
10g	5/8"	STSCSKPZ10X5/8A2	STSCSKPH10X3/4A2	STSCSKPZ10X5/8A2	STSCSKQ10X5/8A2	STSCSKPZ10X5/8A4	STSCSKQ10X5/8A4
10g	3/4"	STSCSKPZ10X3/4A2	STSCSKPH10X1A2	STSCSKPZ10X3/4A2	STSCSKQ10X3/4A2	STSCSKPZ10X3/4A4	STSCSKQ10X3/4A4
10g	1"	STSCSKPZ10X1A2	STSCSKPH10X1-1/4A2	STSCSKPZ10X1A2	STSCSKQ10X1A2	STSCSKPZ10X1A4	STSCSKQ10X1A4
10g	1-1/4"	STSCSKPZ10X1-1/4A2	STSCSKPH10X1-1/2A2	STSCSKPZ10X1-1/4A2	STSCSKQ10X1-1/4A2	STSCSKPZ10X1-1/4A4	STSCSKQ10X1-1/4A4
10g	1-1/2"	STSCSKPZ10X1-1/2A2	STSCSKPH10X1-3/4A2	STSCSKPZ10X1-1/2A2	STSCSKQ10X1-1/2A2	STSCSKPZ10X1-1/2A4	STSCSKQ10X1-1/2A4
10g	1-3/4"	STSCSKPZ10X1-3/4A2		STSCSKPZ10X1-3/4A2	STSCSKQ10X1-3/4A2		
10g	2"	STSCSKPZ10X2A2	STSCSKPH10X2A2	STSCSKPZ10X2A2	STSCSKQ10X2A2	STSCSKPZ10X2A4	STSCSKQ10X2A4
10g	2-1/2"	STSCSKPZ10X2-1/2A2	STSCSKPH10X2-1/2A2	STSCSKPZ10X2-1/2A2	STSCSKQ10X2-1/2A2		STSCSKQ10X2-1/2A4
10g	3"	STSCSKPZ10X3A2	STSCSKPH10X3A2	STSCSKPZ10X3A2	STSCSKQ10X3A2		STSCSKQ10X3A4
10g	3-1/2"				STSCSKQ10X3-1/2A2		
10g	4"				STSCSKQ10X4A2		

12g	1/2"	STSCSKPZ12X1/2A2	STSCSKPH12X1/2A2	STSCSKPZ12X1/2A2	STSCSKQ12X1/2A2		
12g	5/8"	STSCSKPZ12X5/8A2	STSCSKPH12X3/4A2	STSCSKPZ12X5/8A2	STSCSKQ12X5/8A2	STSCSKPZ12X5/8A4	STSCSKQ12X5/8A4
12g	3/4"	STSCSKPZ12X3/4A2	STSCSKPH12X1A2	STSCSKPZ12X3/4A2	STSCSKQ12X3/4A2	STSCSKPZ12X3/4A4	STSCSKQ12X3/4A4
12g	1"	STSCSKPZ12X1A2	STSCSKPH12X1-1/4A2	STSCSKPZ12X1A2	STSCSKQ12X1A2	STSCSKPZ12X1A4	STSCSKQ12X1A4
12g	1-1/4"	STSCSKPZ12X1-1/4A2	STSCSKPH12X1-1/2A2	STSCSKPZ12X1-1/4A2	STSCSKQ12X1-1/4A2	STSCSKPZ12X1-1/4A4	STSCSKQ12X1-1/4A4
12g	1-1/2"	STSCSKPZ12X1-1/2A2	STSCSKPH12X1-3/4A2	STSCSKPZ12X1-1/2A2	STSCSKQ12X1-1/2A2	STSCSKPZ12X1-1/2A4	STSCSKQ12X1-1/2A4
12g	1-3/4"	STSCSKPZ12X1-3/4A2	STSCSKPH12X2A2	STSCSKPZ12X1-3/4A2	STSCSKQ12X1-3/4A2	STSCSKPZ12X1-3/4A4	STSCSKQ12X1-3/4A4
12g	2"	STSCSKPZ12X2A2	STSCSKPH12X2-1/2A2	STSCSKPZ12X2A2	STSCSKQ12X2A2	STSCSKPZ12X2A4	STSCSKQ12X2A4
12g	2-1/2"	STSCSKPZ12X2-1/2A2	STSCSKPH12X3A2	STSCSKPZ12X2-1/2A2	STSCSKQ12X2-1/2A2		STSCSKQ12X2-1/2A4
12g	3"	STSCSKPZ12X3A2		STSCSKPZ12X3A2	STSCSKQ12X3A2		STSCSKQ12X3A4
12g	3-1/2"				STSCSKQ12X3-1/2A2		
12g	4"				STSCSKQ12X4A2		

14g	3/4"	STSCSKPZ14X3/4A2	STSCSKPH14X3/4A2	STSCSKPZ14X3/4A2	STSCSKQ14X3/4A2		
14g	1"	STSCSKPZ14X1A2	STSCSKPH14X1A2	STSCSKPZ14X1A2	STSCSKQ14X1A2	STSCSKPZ14X1A4	STSCSKQ14X1A4
14g	1-1/4"	STSCSKPZ14X1-1/4A2	STSCSKPH14X1-1/4A2	STSCSKPZ14X1-1/4A2	STSCSKQ14X1-1/4A2	STSCSKPZ14X1-1/4A4	STSCSKQ14X1-1/4A4
14g	1-1/2"	STSCSKPZ14X1-1/2A2	STSCSKPH14X1-1/2A2	STSCSKPZ14X1-1/2A2	STSCSKQ14X1-1/2A2	STSCSKPZ14X1-1/2A4	STSCSKQ14X1-1/2A4
14g	1-3/4"	STSCSKPZ14X1-3/4A2	STSCSKPH14X1-3/4A2	STSCSKPZ14X1-3/4A2	STSCSKQ14X1-3/4A2		
14g	2"	STSCSKPZ14X2A2	STSCSKPH14X2A2	STSCSKPZ14X2A2	STSCSKQ14X2A2	STSCSKPZ14X2A4	STSCSKQ14X2A4
14g	2-1/2"	STSCSKPZ14X2-1/2A2	STSCSKPH14X2-1/2A2	STSCSKPZ14X2-1/2A2	STSCSKQ14X2-1/2A2		
14g	3"				STSCSKQ14X3A2		
14g	4"				STSCSKQ14X4A2		





GAUGE	LENGTH	MUSH POZI WASHER	
		PHILLIPS	PHILLIPS
4g	1/2"	STSMPZ4X1/2Z	
6g	1/4"	STSMPZ6X1/4Z	
6g	3/8"	STSMPZ6X3/8Z	
6g	1/2"	STSMPZ6X1/2Z	
6g	1"	STSMPZ6X1Z	
8g	3/8"	STSMPZ8X3/8Z	
8g	1/2"	STSMPZ8X1/2Z	STSMPZ8X1/2BKZ
8g	5/8"	STSMPZ8X5/8Z	
8g	3/4"	STSMPZ8X3/4Z	STSMPZ8X3/4BKZ
8g	1"	STSMPZ8X1Z	STSMPZ8X1BKZ
8g	1-1/8"	STSMPZ8X1-1/8Z	
10g	3/8"	STSMPZ10X3/8Z	
10g	1/2"	STSMPZ10X1/2Z	STSMPZ10X1/2BKZ
10g	5/8"	STSMPZ10X5/8Z	
10g	3/4"	STSMPZ10X3/4Z	STSMPZ10X3/4BKZ
10g	1"	STSMPZ10X1Z	STSMPZ10X1BKZ



Ø	LENGTH	TRUCK DECK SCREWS	
		ZINC	
6mm	25mm	MTST23CPHM6X25Z	
6mm	35mm	MTST23CPHM6X35Z	
6mm	45mm	MTST23CPHM6X45Z	
6mm	50mm	MTST23CPHM6X50Z	
6mm	60mm	MTST23CPHM6X60Z	
6mm	65mm	MTST23CPHM6X65Z	

GAUGE	LENGTH	ZINC
		PAN POZI
3g	4mm	MTSPPZ3X4Z
3g	6mm	MTSPPZ3X6Z
3g	8mm	MTSPPZ3X8Z
3g	10mm	MTSPPZ3X10Z
3g	12mm	MTSPPZ3X12Z
3g	16mm	MTSPPZ3X16Z
3g	20mm	MTSPPZ3X20Z
3g	25mm	MTSPPZ3X25Z
3g	30mm	MTSPPZ3X30Z
3g	50mm	MTSPPZ3X50Z

4g	6mm	MTSPPZ4X6Z
4g	8mm	MTSPPZ4X8Z
4g	10mm	MTSPPZ4X10Z
4g	12mm	MTSPPZ4X12Z
4g	16mm	MTSPPZ4X16Z
4g	20mm	MTSPPZ4X20Z
4g	25mm	MTSPPZ4X25Z
4g	30mm	MTSPPZ4X30Z
4g	35mm	MTSPPZ4X35Z
4g	40mm	MTSPPZ4X40Z
4g	45mm	MTSPPZ4X45Z
4g	50mm	MTSPPZ4X50Z
4g	65mm	MTSPPZ4X65Z

5g	6mm	MTSPPZ5X6Z
5g	8mm	MTSPPZ5X8Z
5g	10mm	MTSPPZ5X10Z
5g	12mm	MTSPPZ5X12Z
5g	16mm	MTSPPZ5X16Z
5g	20mm	MTSPPZ5X20Z
5g	25mm	MTSPPZ5X25Z
5g	30mm	MTSPPZ5X30Z
5g	35mm	MTSPPZ5X35Z
5g	40mm	MTSPPZ5X40Z
5g	50mm	MTSPPZ5X50Z
5g	65mm	MTSPPZ5X65Z

GAUGE	LENGTH	ZINC
		PAN POZI
6g	8mm	MTSPPZ6X8Z
6g	10mm	MTSPPZ6X10Z
6g	12mm	MTSPPZ6X12Z
6g	16mm	MTSPPZ6X16Z
6g	20mm	MTSPPZ6X20Z
6g	25mm	MTSPPZ6X25Z
6g	30mm	MTSPPZ6X30Z
6g	35mm	MTSPPZ6X35Z
6g	40mm	MTSPPZ6X40Z
6g	45mm	MTSPPZ6X45Z
6g	50mm	MTSPPZ6X50Z
6g	60mm	MTSPPZ6X60Z
6g	65mm	MTSPPZ6X65Z

8g	12mm	MTSPPZ8X12Z
8g	16mm	MTSPPZ8X16Z
8g	20mm	MTSPPZ8X20Z
8g	25mm	MTSPPZ8X25Z
8g	30mm	MTSPPZ8X30Z
8g	65mm	MTSPPZ8X65Z







Ø	LENGTH	ZINC
		COUNTERSUNK POZI
3mm	8mm	MTSCSKPZ3X8Z
3mm	20mm	MTSCSKPZ3X20ZP
3mm	25mm	MTSCSKPZ3X25Z
3mm	30mm	MTSCSKPZ3X30ZP

4mm	12mm	MTSCSKPZ4X12ZP
4mm	16mm	MTSCSKPZ4X16ZP
4mm	20mm	MTSCSKPZ4X20ZP
4mm	25mm	MTSCSKPZ4X25ZP

5mm	10mm	MTSCSKPZ5X10ZP
5mm	12mm	MTSCSKPZ5X12ZP
5mm	16mm	MTSCSKPZ5X16ZP
5mm	20mm	MTSCSKPZ5X20ZP
5mm	25mm	MTSCSKPZ5X25Z
5mm	30mm	MTSCSKPZ5X30Z
5mm	35mm	MTSCSKPZ5X35Z
5mm	40mm	MTSCSKPZ5X40Z
5mm	50mm	MTSCSKPZ5X50Z

Ø	LENGTH	ZINC
		COUNTERSUNK POZI
6mm	12mm	MTSCSKPZ6X12Z
6mm	16mm	MTSCSKPZ6X16Z
6mm	20mm	MTSCSKPZ6X20Z
6mm	25mm	MTSCSKPZ6X25Z
6mm	30mm	MTSCSKPZ6X30Z
6mm	35mm	MTSCSKPZ6X35Z
6mm	40mm	MTSCSKPZ6X40Z
6mm	45mm	MTSCSKPZ6X50Z

8mm	16mm	MTSCSKPZ8X16Z
8mm	25mm	MTSCSKPZ8X25Z
8mm	35mm	MTSCSKPZ8X40Z

Ø	LENGTH	304 STAINLESS		316 STAINLESS
		PAN PHILLIPS	PAN SLOT	PAN SLOT
1.6mm	4mm	MTSPPH1.6X4A2		

2mm	4mm	MTSPPH2X4A2	MTSPSL2X4A2	MTSPSL2X4A4
2mm	5mm	MTSPPH2X5A2	MTSPSL2X5A2	MTSPSL2X5A4
2mm	6mm	MTSPPH2X6A2	MTSPSL2X6A2	MTSPSL2X6A4
2mm	8mm	MTSPPH2X8A2	MTSPSL2X8A2	MTSPSL2X8A4
2mm	10mm	MTSPPH2X10A2	MTSPSL2X10A2	
2mm	12mm	MTSPPH2X12A2		
2mm	16mm	MTSPPH2X16A2		
2mm	20mm	MTSPPH2X20A2		

2.5mm	4mm	MTSPPH2.5X4A2		
2.5mm	5mm	MTSPPH2.5X5A2		
2.5mm	6mm	MTSPPH2.5X6A2		
2.5mm	8mm	MTSPPH2.5X8A2		
2.5mm	10mm	MTSPPH2.5X10A2		
2.5mm	12mm	MTSPPH2.5X12A2		
2.5mm	16mm	MTSPPH2.5X16A2		
2.5mm	20mm	MTSPPH2.5X20A2	MTSPSL2.5X20A2	
2.5mm	25mm	MTSPPH2.5X25A2	MTSPSL2.5X25A2	

3mm	4mm	MTSPPH3X4A2		
3mm	5mm	MTSPPH3X5A2	MTSPSL3X5A2	MTSPSL3X5A4
3mm	6mm	MTSPPH3X6A2	MTSPSL3X6A2	MTSPSL3X6A4
3mm	8mm	MTSPPH3X8A2	MTSPSL3X8A2	MTSPSL3X8A4
3mm	10mm	MTSPPH3X10A2	MTSPSL3X10A2	MTSPSL3X10A4
3mm	12mm	MTSPPH3X12A2	MTSPSL3X12A2	MTSPSL3X12A4
3mm	16mm	MTSPPH3X16A2	MTSPSL3X16A2	MTSPSL3X16A4
3mm	20mm	MTSPPH3X20A2	MTSPSL3X20A2	MTSPSL3X20A4
3mm	25mm	MTSPPH3X25A2	MTSPSL3X25A2	MTSPSL3X25A4
3mm	30mm	MTSPPH3X30A2	MTSPSL3X30A2	MTSPSL3X30A4
3mm	35mm	MTSPPH3X35A2	MTSPSL3X35A2	
3mm	40mm	MTSPPH3X40A2	MTSPSL3X40A2	MTSPSL3X40A4
3mm	50mm	MTSPPH3X50A2	MTSPSL3X50A2	





Ø	LENGTH	304 STAINLESS		316 STAINLESS
		PAN PHILLIPS	PAN SLOT	PAN SLOT
6mm	8mm	MTSPPH6X8A2		
6mm	10mm	MTSPPH6X10A2	MTSPSL6X10A2	MTSPSL6X10A4
6mm	12mm	MTSPPH6X12A2	MTSPSL6X12A2	MTSPSL6X12A4
6mm	16mm	MTSPPH6X16A2	MTSPSL6X16A2	MTSPSL6X16A4
6mm	20mm	MTSPPH6X20A2	MTSPSL6X20A2	MTSPSL6X20A4
6mm	25mm	MTSPPH6X25A2	MTSPSL6X25A2	MTSPSL6X25A4
6mm	30mm	MTSPPH6X30A2	MTSPSL6X30A2	MTSPSL6X30A4
6mm	35mm	MTSPPH6X35A2	MTSPSL6X35A2	MTSPSL6X35A4
6mm	40mm	MTSPPH6X40A2	MTSPSL6X40A2	MTSPSL6X40A4
6mm	50mm	MTSPPH6X50A2	MTSPSL6X50A2	MTSPSL6X50A4
6mm	60mm	MTSPPH6X60A2	MTSPSL6X60A2	MTSPSL6X60A4
6mm	70mm	MTSPPH6X70A2	MTSPSL6X70A2	MTSPSL6X70A4
6mm	75mm	MTSPPH6X75A2		
6mm	80mm	MTSPPH6X80A2	MTSPSL6X80A2	MTSPSL6X80A4
6mm	90mm	MTSPPH6X90A2		
6mm	100mm	MTSPPH6X100A2	MTSPSL6X100A2	

8mm	12mm		MTSPSL8X12A2	MTSPSL8X12A4
8mm	14mm	MTSPPH8X16A2	MTSPSL8X16A2	MTSPSL8X16A4
8mm	16mm	MTSPPH8X20A2	MTSPSL8X20A2	MTSPSL8X20A4
8mm	20mm	MTSPPH8X25A2	MTSPSL8X25A2	MTSPSL8X25A4
8mm	25mm	MTSPPH8X30A2	MTSPSL8X30A2	MTSPSL8X30A4
8mm	30mm		MTSPSL8X35A2	MTSPSL8X35A4
8mm	35mm	MTSPPH8X40A2	MTSPSL8X40A2	MTSPSL8X40A4
8mm	40mm		MTSPSL8X45A2	
8mm	50mm	MTSPPH8X50A2	MTSPSL8X50A2	MTSPSL8X50A4
8mm	60mm	MTSPPH8X60A2	MTSPSL8X60A2	MTSPSL8X60A4
8mm	65mm		MTSPSL8X70A2	MTSPSL8X70A4
8mm	80mm	MTSPPH8X80A2		MTSPSL8X80A4
8mm	90mm			MTSPSL8X90A4
8mm	100mm	MTSPPH8X100A2		MTSPSL8X100A4

10mm	50mm		MTSPSL10X50A2	
10mm	60mm		MTSPSL10X60A2	
10mm	70mm		MTSPSL10X70A2	
10mm	80mm		MTSPSL10X80A2	
10mm	100mm		MTSPSL10X100A2	



Ø	LENGTH	304 STAINLESS		316 STAINLESS
		COUNTERSUNK PHILLIPS	COUNTERSUNK SLOT	COUNTERSUNK SLOT
2mm	5mm	MTSCSKPH2X5A2		MTSCSKSL2X5A4
2mm	6mm	MTSCSKPH2X6A2		MTSCSKSL2X6A4
2mm	8mm	MTSCSKPH2X8A2		MTSCSKSL2X8A4
2mm	10mm	MTSCSKPH2X10A2		MTSCSKSL2X10A4
2mm	12mm	MTSCSKPH2X12A2		MTSCSKSL2X12A4
2mm	16mm	MTSCSKPH2X16A2		MTSCSKSL2X16A4
2mm	20mm	MTSCSKPH2X20A2		MTSCSKSL2X20A4

2.5mm	5mm	MTSCSKPH2.5X5A2		MTSCSKSL2.5X5A4
2.5mm	6mm	MTSCSKPH2.5X6A2		MTSCSKSL2.5X6A4
2.5mm	8mm	MTSCSKPH2.5X8A2		MTSCSKSL2.5X8A4
2.5mm	10mm	MTSCSKPH2.5X10A2		MTSCSKSL2.5X10A4
2.5mm	12mm	MTSCSKPH2.5X12A2		MTSCSKSL2.5X12A4
2.5mm	16mm	MTSCSKPH2.5X16A2		MTSCSKSL2.5X16A4
2.5mm	20mm	MTSCSKPH2.5X20A2		MTSCSKSL2.5X20A4
2.5mm	25mm			MTSCSKSL2.5X25A4

3mm	4mm	MTSCSKPH3X4A2		
3mm	5mm	MTSCSKPH3X5A2		
3mm	6mm	MTSCSKPH3X6A2	MTSCSKSL3X6A2	MTSCSKSL3X6A4
3mm	8mm	MTSCSKPH3X8A2	MTSCSKSL3X8A2	MTSCSKSL3X8A4
3mm	10mm	MTSCSKPH3X10A2	MTSCSKSL3X10A2	MTSCSKSL3X10A4
3mm	12mm	MTSCSKPH3X12A2	MTSCSKSL3X12A2	MTSCSKSL3X12A4
3mm	16mm	MTSCSKPH3X16A2	MTSCSKSL3X16A2	MTSCSKSL3X16A4
3mm	20mm	MTSCSKPH3X20A2	MTSCSKSL3X20A2	MTSCSKSL3X20A4
3mm	25mm	MTSCSKPH3X25A2	MTSCSKSL3X25A2	MTSCSKSL3X25A4
3mm	30mm	MTSCSKPH3X30A2	MTSCSKSL3X30A2	MTSCSKSL3X30A4
3mm	35mm		MTSCSKSL3X35A2	MTSCSKSL3X35A4
3mm	40mm		MTSCSKSL3X40A2	MTSCSKSL3X40A4
3mm	45mm			MTSCSKSL3X45A4
3mm	80mm	MTSCSKPH3X50A2	MTSCSKSL3X50A2	MTSCSKSL3X50A4



Ø	LENGTH	304 STAINLESS		316 STAINLESS
		COUNTERSUNK PHILLIPS	COUNTERSUNK SLOT	COUNTERSUNK SLOT
4mm	6mm	MTSCSKPH4X6A2	MTSCSKSL4X6A2	MTSCSKSL4X6A4
4mm	8mm	MTSCSKPH4X8A2	MTSCSKSL4X8A2	MTSCSKSL4X8A4
4mm	10mm	MTSCSKPH4X10A2	MTSCSKSL4X10A2	MTSCSKSL4X10A4
4mm	12mm	MTSCSKPH4X12A2	MTSCSKSL4X12A2	MTSCSKSL4X12A4
4mm	16mm	MTSCSKPH4X16A2		MTSCSKSL4X16A4
4mm	20mm	MTSCSKPH4X20A2	MTSCSKSL4X20A2	MTSCSKSL4X20A4
4mm	25mm	MTSCSKPH4X25A2	MTSCSKSL4X25A2	MTSCSKSL4X25A4
4mm	30mm	MTSCSKPH4X30A2	MTSCSKSL4X30A2	MTSCSKSL4X30A4
4mm	35mm	MTSCSKPH4X35A2	MTSCSKSL4X35A2	MTSCSKSL4X35A4
4mm	40mm	MTSCSKPH4X40A2	MTSCSKSL4X40A2	MTSCSKSL4X40A4
4mm	45mm			MTSCSKSL4X45A4
4mm	50mm	MTSCSKPH4X50A2	MTSCSKSL4X50A2	MTSCSKSL4X50A4
4mm	60mm	MTSCSKPH4X60A2	MTSCSKSL4X60A2	MTSCSKSL4X60A4
4mm	70mm			MTSCSKSL4X70A4

5mm	8mm	MTSCSKPH5X8A2	MTSCSKSL5X8A2	MTSCSKSL5X8A4
5mm	10mm	MTSCSKPH5X10A2	MTSCSKSL5X10A2	MTSCSKSL5X10A4
5mm	12mm	MTSCSKPH5X12A2	MTSCSKSL5X12A2	MTSCSKSL5X12A4
5mm	16mm	MTSCSKPH5X16A2	MTSCSKSL5X16A2	MTSCSKSL5X16A4
5mm	20mm	MTSCSKPH5X20A2	MTSCSKSL5X20A2	MTSCSKSL5X20A4
5mm	25mm	MTSCSKPH5X25A2	MTSCSKSL5X25A2	MTSCSKSL5X25A4
5mm	30mm	MTSCSKPH5X30A2	MTSCSKSL5X30A2	MTSCSKSL5X30A4
5mm	35mm	MTSCSKPH5X35A2	MTSCSKSL5X35A2	MTSCSKSL5X35A4
5mm	40mm	MTSCSKPH5X40A2	MTSCSKSL5X40A2	MTSCSKSL5X40A4
5mm	45mm		MTSCSKSL5X45A2	MTSCSKSL5X45A4
5mm	50mm	MTSCSKPH5X50A2	MTSCSKSL5X50A2	MTSCSKSL5X50A4
5mm	60mm	MTSCSKPH5X60A2	MTSCSKSL5X60A2	MTSCSKSL5X60A4
5mm	65mm	MTSCSKPH5X65A2	MTSCSKSL5X65A2	
5mm	70mm	MTSCSKPH5X70A2	MTSCSKSL5X70A2	MTSCSKSL5X70A4
5mm	75mm	MTSCSKPH5X75A2		
5mm	80mm	MTSCSKPH5X80A2	MTSCSKSL5X80A2	MTSCSKSL5X80A4
5mm	90mm		MTSCSKSL5X90A2	MTSCSKSL5X90A4
5mm	100mm		MTSCSKSL5X100A2	MTSCSKSL5X100A4



Ø	LENGTH	304 STAINLESS		316 STAINLESS
		COUNTERSUNK PHILLIPS	COUNTERSUNK SLOT	COUNTERSUNK SLOT
6mm	10mm	MTSCSKPH6X10A2	MTSCSKSL6X10A2	MTSCSKSL6X10A4
6mm	12mm	MTSCSKPH6X12A2	MTSCSKSL6X12A2	MTSCSKSL6X12A4
6mm	16mm	MTSCSKPH6X16A2	MTSCSKSL6X16A2	MTSCSKSL6X16A4
6mm	20mm	MTSCSKPH6X20A2	MTSCSKSL6X20A2	MTSCSKSL6X20A4
6mm	25mm	MTSCSKPH6X25A2	MTSCSKSL6X25A2	MTSCSKSL6X25A4
6mm	30mm	MTSCSKPH6X30A2	MTSCSKSL6X30A2	MTSCSKSL6X30A4
6mm	35mm	MTSCSKPH6X35A2	MTSCSKSL6X35A2	MTSCSKSL6X35A4
6mm	40mm	MTSCSKPH6X40A2	MTSCSKSL6X40A2	MTSCSKSL6X40A4
6mm	45mm	MTSCSKPH6X45A2	MTSCSKSL6X45A2	MTSCSKSL6X45A4
6mm	50mm	MTSCSKPH6X50A2	MTSCSKSL6X50A2	MTSCSKSL6X50A4
6mm	60mm	MTSCSKPH6X60A2	MTSCSKSL6X60A2	MTSCSKSL6X60A4
6mm	70mm	MTSCSKPH6X70A2	MTSCSKSL6X70A2	MTSCSKSL6X70A4
6mm	75mm			MTSCSKSL6X75A4
6mm	80mm	MTSCSKPH6X80A2	MTSCSKSL6X80A2	MTSCSKSL6X80A4
6mm	90mm		MTSCSKSL6X90A2	MTSCSKSL6X90A4
6mm	100mm		MTSCSKSL6X100A2	MTSCSKSL6X100A4

8mm	12mm		MTSCSKSL8X12A2	MTSCSKSL8X12A4
8mm	16mm		MTSCSKSL8X16A2	MTSCSKSL8X16A4
8mm	20mm	MTSCSKPH8X20A2	MTSCSKSL8X20A2	MTSCSKSL8X20A4
8mm	25mm	MTSCSKPH8X25A2	MTSCSKSL8X25A2	MTSCSKSL8X25A4
8mm	30mm	MTSCSKPH8X30A2	MTSCSKSL8X30A2	MTSCSKSL8X30A4
8mm	35mm		MTSCSKSL8X35A2	MTSCSKSL8X35A4
8mm	40mm	MTSCSKPH8X50A2	MTSCSKSL8X40A2	MTSCSKSL8X40A4
8mm	45mm		MTSCSKSL8X45A2	MTSCSKSL8X45A4
8mm	50mm		MTSCSKSL8X50A2	MTSCSKSL8X50A4
8mm	60mm		MTSCSKSL8X60A2	MTSCSKSL8X60A4
8mm	70mm		MTSCSKSL8X70A2	MTSCSKSL8X70A4
8mm	80mm		MTSCSKSL8X80A2	MTSCSKSL8X80A4
8mm	90mm		MTSCSKSL8X90A2	MTSCSKSL8X90A4
8mm	100mm			MTSCSKSL8X100A4





Ø	LENGTH	316 STAINLESS	
		COUNTERSUNK SLOT	
10mm	16mm	MTSCSKSL10X16A4	
10mm	20mm	MTSCSKSL10X20A4	
10mm	25mm	MTSCSKSL10X25A4	
10mm	30mm	MTSCSKSL10X30A4	
10mm	35mm	MTSCSKSL10X35A4	
10mm	40mm	MTSCSKSL10X40A4	
10mm	50mm	MTSCSKSL10X50A4	
10mm	60mm	MTSCSKSL10X60A4	
10mm	70mm	MTSCSKSL10X70A4	
10mm	80mm	MTSCSKSL10X80A4	
10mm	90mm	MTSCSKSL10X90A4	
10mm	100mm	MTSCSKSL10X100A4	
10mm	120mm	MTSCSKSL10X120A4	

12mm	25mm	MTSCSKSL12X25A4	
12mm	30mm	MTSCSKSL12X30A4	
12mm	40mm	MTSCSKSL12X40A4	
12mm	50mm	MTSCSKSL12X50A4	
12mm	60mm	MTSCSKSL12X60A4	
12mm	70mm	MTSCSKSL12X70A4	
12mm	80mm	MTSCSKSL12X80A4	
12mm	90mm	MTSCSKSL12X90A4	
12mm	100mm	MTSCSKSL12X100A4	
12mm	110mm	MTSCSKSL12X110A4	

16mm	110mm	MTSCSKSL16X110A4	
------	-------	------------------	--



Ø	LENGTH	304 STAINLESS	
		COUNTERSUNK PHILLIPS	
#6	1/4"	MTSPPHC#6-32X1/4A2	
#6	3/8"	MTSPPHC#6-32X3/8A2	
#6	1/2"	MTSPPHC#6-32X1/2A2	
#6	5/8"	MTSPPHC#6-32X5/8A2	
#6	3/4"	MTSPPHC#6-32X3/4A2	
#6	1"	MTSPPHC#6-32X1A2	
#6	1-1/4"	MTSPPHC#6-32X1-1/4A2	
#6	1-1/2"	MTSPPHC#6-32X1-1/2A2	
#6	2"	MTSPPHC#6-32X2A2	

#8	1/4"	MTSPPHC#8-32X1/4A2	
#8	3/8"	MTSPPHC#8-32X3/8A2	
#8	1/2"	MTSPPHC#8-32X1/2A2	
#8	3/4"	MTSPPHC#8-32X3/4A2	
#8	1"	MTSPPHC#8-32X1A2	
#8	1-1/4"	MTSPPHC#8-32X1-1/4A2	
#8	1-1/2"	MTSPPHC#8-32X1-1/2A2	
#8	2"	MTSPPHC#8-32X2A2	
#6	2"	MTSPPHC#6-32X2A2	

3/16"	1/4"	MTSPPHC3/16X1/4A2	
3/16"	1/2"	MTSPPHC3/16X1/2A2	

#10	1/4"	MTSPPHC#10-24X1/4A2	
#10	1/2"	MTSPPHC#10-24X1/2A2	
#10	5/8"	MTSPPHC#10-24X5/8A2	
#10	3/4"	MTSPPHC#10-24X3/4A2	
#10	1"	MTSPPHC#10-24X1A2	
#10	1-1/4"	MTSPPHC#10-24X1-1/4A2	
#10	2"	MTSPPHC#10-24X2A2	
#10	3"	MTSPPHC#10-24X3A2	

“KEEP UP TO DATE WITH OUR RECENT PROJECTS, INDUSTRY NEWS AND PRODUCT OFFERS”

FOLLOW US



/fastenersdirectglobal



/fasteners-direct-global-ltd





#	LENGTH	PAN HEAD SUREFIX	
		POZI DRIVE	SQUARE DRIVE
8g	1/2"	SFPPZ8X1/2YZ	SFPQ8X1/2YZ
8g	5/8"	SFPPZ8X5/8YZ	SFPQ8X5/8YZ
8g	3/4"	SFPPZ8X3/4YZ	SFPQ8X3/4YZ
8g	1"	SFPPZ8X1YZ	
8g	1-1/4"	SFPPZ8X1-1/4YZ	
8g	1-1/2"	SFPPZ8X1-1/2YZ	
8g	2"	SFPPZ8X2YZ	

#	LENGTH	CSK SUREFIX DRIVE YELLOW ZINC				GALVANIZED
		POZI DRIVE	MULTI DRIVE	SQUARE DRIVE	SQUARE DRIVE (FULL THREAD)	SQUARE DRIVE
6g	5/8"			SFCQ6X5/8YZ		
6g	3/4"			SFCQ6X3/4YZ		
6g	1"	SFCPZ6X1YZ		SFCQ6X1YZ		
6g	1-1/8"			SFCQ6X1-1/8YZ		
6g	1-1/4"			SFCQ6X1-1/4YZ		
6g	1-1/2"	SFCPZ6X1-1/2YZ		SFCQ6X1-1/2YZ		
6g	1-3/4"			SFCQ6X1-3/4YZ		
6g	2"			SFCQ6X2YZ		

8g	5/8"			SFCQ8X5/8YZ		
8g	3/4"	SFCPZ8X3/4YZ	SFCSKM8X3/4YZ	SFCQ8X3/4YZ		
8g	1"	SFCPZ8X1YZ	SFCSKM8X1YZ	SFCQ8X1YZ	SFCQ8X1FTYZ	SFCQ8X1G
8g	1-1/8"	SFCPZ8X1-1/8YZ		SFCQ8X1-1/8YZ	SFCQ8X1-1/8FTYZ	
8g	1-1/4"	SFCPZ8X1-1/4YZ	SFCSKM8X1-1/4YZ	SFCQ8X1-1/4YZ	SFCQ8X1-1/4FTYZ	SFCQ8X1-1/4G
8g	1-1/2"	SFCPZ8X1-1/2YZ	SFCSKM8X1-1/2YZ	SFCQ8X1-1/2YZ	SFCQ8X1-1/2FTYZ	SFCQ8X1-1/2G
8g	1-3/4"	SFCPZ8X1-3/4YZ	SFCSKM8X1-3/4YZ	SFCQ8X1-3/4YZ	SFCQ8X1-3/4FTYZ	SFCQ8X1-3/4G
8g	2"	SFCPZ8X2YZ	SFCSKM8X2YZ	SFCQ8X2YZ	SFCQ8X2FTYZ	SFCQ8X2G
8g	2-1/2"	SFCPZ8X2-1/2YZ	SFCSKM8X2-1/2YZ	SFCQ8X2-1/2YZ		
8g	3"		SFCSKM8X3YZ	SFCQ8X3YZ		

10g	2"			SFCQ10X2YZ		SFCQ10X2G
10g	2-1/2"	SFCPZ10X2-1/2YZ		SFCQ10X2-1/2YZ		SFCQ10X2-1/2G
10g	3"	SFCPZ10X3YZ		SFCQ10X3YZ		SFCQ10X3G
10g	4"	SFCPZ10X4YZ	SFCSKM10X4YZ	SFCQ10X4YZ		SFCQ10X4G



#	LENGTH	CSK 304 STAINLESS					316 STAINLESS
		RIBBED	TYPE17 - RIBBED	RIBBED	TYPE17 - RIBBED	NON - RIBBED	TYPE17
8g	1/2"	SFCQ8X1/2A2					
8g	5/8"	SFCQ8X5/8A2					
8g	3/4"	SFCQ8X3/4A2	SFCQ8X3/4-T17RA2	SFCQ8x3/4-RA2	SFCQ8X3/4-T17A2	SFCQ8x3/4-NRA2	
8g	1"	SFCQ8X1A2	SFCQ8x1-T17RA2	SFCQ8x1-RA2	SFCQ8X1-T17A2	SFCQ8x1-NRA2	
8g	1-1/4"	SFCQ8X1-1/4A2	SFCQ8x1-1/4-T17RA2	SFCQ8x1-1/4-RA2	SFCQ8X1-1/4-T17A2	SFCQ8x1-1/4-NRA2	
8g	1-1/2"	SFCQ8X1-1/2A2	SFCQ8X1-1/2-T17RA2	SFCQ8x1-1/2-RA2	SFCQ8X1-1/2-T17A2	SFCQ8x1-1/2-NRA2	SFCQ8X1-1/2-T17A4
8g	1-3/4"	SFCQ8X1-3/4A2	SFCQ8x1-3/4-T17RA2	SFCQ8x1-3/4-RA2	SFCQ8X1-3/4-T17A2	SFCQ8x1-3/4-NRA2	
8g	2"	SFCQ8X2A2	SFCQ8X2-T17RA2	SFCQ8x2-RA2	SFCQ8X2-T17A2	SFCQ8x2-NRA2	SFCQ8X2-T17A4
8g	2-1/2"	SFCQ8X2-1/2A2	SFCQ8x2/1-2-T17RA2	SFCQ8x2-1/2-RA2	SFCQ8X2-1/2-T17A2	SFCQ8x2-1/2-NRA2	
8g	3"	SFCQ8X3A2					

10g	1"	SFCQ10X1A2					SFCQ10X1-T17A4
10g	1-1/4"	SFCQ10X1-1/4A2	SFCQ10x1-1/4-T17RA2	SFCQ10x1-1/4-RA2	SFCQ10X1-1/4-T17A2	SFCQ10x1-1/4-NRA2	SFCQ10X1-1/4-T17A4
10g	1-1/2"	SFCQ10X1-1/2A2	SFCQ10X1-1/2-T17RA2	SFCQ10x1-1/2-RA2	SFCQ10X1-1/2-T17A2	SFCQ10x1-1/2-NRA2	SFCQ10X1-1/2-T17A4
10g	1-3/4"	SFCQ10X1-3/4A2					
10g	2"	SFCQ10X2A2	SFCQ10X2-T17RA2	SFCQ10x2-RA2	SFCQ10X2-T17A2	SFCQ10x2-NRA2	
10g	2-1/2"	SFCQ10X2-1/2A2	SFCQ10x2-1/2-T17RA2	SFCQ10x2-1/2-RA2	SFCQ10X2-1/2-T17A2	SFCQ10x2-1/2-NRA2	
10g	3"	SFCQ10X3A2	SFCQ10x3-T17RA2	SFCQ10x3-RA2	SFCQ10X3-T17A2	SFCQ10x3-NRA2	
10g	3-1/2"	SFCQ10X3-1/2A2	SFCQ10x3-1/2-T17RA2		SFCQ10X3-1/2-T17A2		SFCQ10X3-1/2-T17A4
10g	4"	SFCQ10X4A2	SFCQ10X4-T17RA2	SFCQ10x4-RA2	SFCQ10X4-T17A2	SFCQ10x4-NRA2	



#	LENGTH	PACK SIZE	ALL PLUG IN FRAMES						
			WHITE	RED	GREEN	BLUE	ORANGE	GREY	
6g	25mm	25	MSP5X25						
6g	35mm	25	MSP5X35						
5g	25mm	25		MSP6X25					
5g	35mm	25		MSP6X35					
5g	50mm	25		MSP6X50					
7g	25mm	25			MSP7X25				
7g	30mm	25			MSP7X30				
7g	35mm	25			MSP7X35				
7g	50mm	25			MSP7X50				
8g	25mm	25				MSP8X25			
8g	35mm	25				MSP8X35			
8g	50mm	25				MSP8X50			
10g	35mm	25					MSP10X35		
10g	50mm	25					MSP10X50		
10g	65mm	25					MSP10X65		
12g	50mm	25						MSP12X50	
12g	65mm	25						MSP12X65	



#	LENGTH	FINNED WALL ANCHOR	
			GREY
5g	25mm		MNW5X25
6g	30mm		MNW6X30
7g	38mm		MNW7X38
8g	40mm		MNW8X40
10g	50mm		MNW10X50
12g	60mm		MNW12X60



#	WALLBOARD SCREW-ANCHOR	
	NYLON	STEEL
6g	MWN6G/200PK	
8g	MWN8G/100PK	MWSDP/100



## READ ABOUT FDG'S LATEST WORK

SmartShelters required FDG to work with both bespoke customer requirements and the wide selection of shelter types within their standard range.

FDG took on this challenge and created a pre-packed kit solution that combines all the components (excluding fabric and steel framing) required to put the shelter together. FDG took on the responsibility of sourcing all tapes, ratchets, including their own fastening range, giving SmartShelters the array of components required.

In producing such a pack, FDG combined what would normally be in excess of 5 suppliers' products into one useful product kit.

Smart Shelters now have a solution that not only works for their customers but also reduces costs and time within their own business, through lower freight costs, packing time and resource time to co-ordinate multiple suppliers.

To maintain the accuracy of product FDG implemented a '2-person check system' to all their product kits, giving Smart Shelters peace of mind in the components supplied.

To give SmartShelters further confidence in FDG, a trial was implemented and following a successful outcome, the team at SmartShelter decided to put the wheels in motion for orders to proceed.



"FDG is great to deal with, they took a new approach to our needs and came forward with a solution to help streamline a particular activity within our business. The FDG team are very helpful, they come forward with solutions and go out of their way to make things happen. This helps us to service our customers better."

Jim Cottle,  
General Manager  
SmartShelters





# RIVETS

<u>Truss Head Stainless/Steel</u>	182
<u>Truss Head Large Flange</u>	182
<u>Truss Head Aluminium/Steel</u>	183
<u>Truss Head Monel</u>	184
<u>Countersunk Head</u>	185
<u>Bulb Lok</u>	186-187
<u>SR Series</u>	188-190
<u>Rivnuts</u>	192-195
<u>Rivnut Plus Nuts</u>	195



**RIVET BLIND STAINLESS/STAINLESS**

Ø x L	GRIP RANGE	4 (3.2mm)	5 (4.0mm)	6 (4.8mm)
3.2mm x 6.3mm	1.6-3.2	RV73STST4-2		
3.2mm x 7.9mm	3.2-4.8	RV73STST4-3		
3.2mm x 9.5mm	4.8-6.4	RV73STST4-4		
3.2mm x 12.7mm	7.9-9.5	RV73STST4-6		
3.2mm x 16.3mm	9.5-12.7	RV73STST4-8		
4.0mm x 7mm	1.6-3.2		RV73STST5-2	
4.0mm x 10.3mm	4.8-6.4		RV73STST5-4	
4.0mm x 13.5mm	7.9-9.5		RV73STST5-6	
4.8mm x 8mm	1.6-3.2			RV73STST6-2
4.8mm x 9.5mm	3.2-4.8			RV73STST6-4
4.8mm x 14.7mm	7.9-9.5			RV73STST6-6
4.8mm x 17mm	9.5-12.7			RV73STST6-8
4.8mm x 21mm	12.7-15.9			RV73STST6-10
4.8mm x 24mm	15.9-19.0			RV73STST6-12
4.8mm x 30.6mm	22.2-25.4			RV73STST6-16

**RIVET LARGE FLANGE BLIND ALUMINIUM/STEEL**

Ø x L	GRIP RANGE	4 (3.2mm)	5 (4.0mm)	6 (4.8mm)	8 (6.4mm)
3.2mm x 9.5mm	4.8-6.4	RV73ASL4-4			
3.2mm x 11.1mm	7.9-9.5	RV73ASL4-6			
3.2mm x 21mm	12.7-15.9	RV73ASL4-10			
4.0mm x 11.1mm	4.8-6.4		RV73ASL5-4		
4.0mm x 13.5mm	7.9-9.5		RV73ASL5-6		
4.8mm x 11.1mm	4.8-6.4			RV73ASL6-4	
4.8mm x 13mm	6.4-7.9			RV73ASL6-5	
4.8mm x 14.2mm	7.9-9.5			RV73ASL6-6	
4.8mm x 17.9mm	9.5-12.7			RV73ASL6-8	
4.8mm x 21mm	12.7-15.9			RV73ASL6-10	
4.8mm x 24mm	15.9-19.0			RV73ASL6-12	
4.8mm x 27mm	19.0-22.0			RV73ASL6-14	
4.8mm x 30mm	22.2-25.4			RV73ASL6-16	
6.4mm x 14.2mm	6.4-9.5				RV73ASL8-6

**RIVET TRUSS HEAD BLIND ALUMINIUM/STEEL**

Ø x L	GRIP RANGE	4 (3.2mm)	5 (4.0mm)	6 (4.8mm)	8 (6.4mm)
3.2mm x 4.7mm	up to 1.6	RV73AS4-1			
3.2mm x 6.3mm	1.6-3.2	RV73AS4-2			
3.2mm x 7.9mm	3.2-4.8	RV73AS4-3			
3.2mm x 9.5mm	4.8-6.4	RV73AS4-4			
3.2mm x 11mm	6.4-7.9	RV73AS4-5			
3.2mm x 12.7mm	7.9-9.5	RV73AS4-6			
3.2mm x 16.4mm	9.5-12.7	RV73AS4-8			
3.2mm x 20.1mm	12.7-15.9	RV73AS4-10			
3.2mm x 23.3mm	15.9-19.0	RV73AS4-12			
4.0mm x 5mm	up to 1.6		RV73AS5-1		
4.0mm x 7mm	1.6-3.2		RV73AS5-2		
4.0mm x 8.7mm	3.2-4.8		RV73AS5-3		
4.0mm x 10.3mm	4.8-6.4		RV73AS5-4		
4.0mm x 11.9mm	6.4-7.9		RV73AS5-5		
4.0mm x 13.5mm	7.9-9.5		RV73AS5-6		
4.0mm x 17.1mm	9.5-12.7		RV73AS5-8		
4.0mm x 21mm	12.7-15.9		RV73AS5-10		
4.8mm x 8mm	1.6-3.2			RV73AS6-2	
4.8mm x 9.8mm	3.2-4.8			RV73AS6-3	
4.8mm x 11mm	4.8-6.4			RV73AS6-4	
4.8mm x 13mm	6.4-7.9			RV73AS6-5	
4.8mm x 14.2mm	7.9-9.5			RV73AS6-6	
4.8mm x 17.9mm	9.5-12.7			RV73AS6-8	
4.8mm x 21mm	12.7-15.9			RV73AS6-10	
4.8mm x 24mm	15.9-19.0			RV73AS6-12	
4.8mm x 27mm	19.0-22.2			RV73AS6-14	
4.8mm x 30.6mm	22.2-25.4			RV73AS6-16	
6.4mm x 11mm	4.8-6.4				RV73AS8-4
6.4mm x 15.8mm	7.9-9.5				RV73AS8-6
6.4mm x 25mm	15.9-19.0				RV73AS8-8
6.4mm x 30.5mm	19.0-25.0				RV73AS8-12
6.4mm x 19mm	9.8-12.7				RV73AS8-16



RIVET BLIND TRUSS HEAD MONEL

Ø x L	GRIP RANGE	4 (3.2mm)	5 (4.0mm)	6 (4.8mm)
3.2mm x 5.30mm	up to 1.6	RV73MS4-1		
3.2mm x 7mm	1.6-3.2	RV73MS4-2		
3.2mm x 8.5mm	3.2-4.8	RV73MS4-3		
3.2mm x 10.10mm	4.8-6.4	RV73MS4-4		
3.2mm x 11.70mm	6.4-7.9	RV73MS4-5		
3.2mm x 12.7mm	7.9-9.5	RV73MS4-6		
3.2mm x 17mm	9.5-12.7	RV73MS4-8		
4mm x 7.2mm	1.6-3.2		RV73MS5-2	
4mm x 9.2mm	3.2-5.8		RV73MS5-3	
4mm x 10.7mm	4.8-6.4		RV73MS5-4	
4mm x 12.2mm	6.4-7.9		RV73MS5-5	
4mm x 13.9mm	7.9-9.5		RV73MS5-6	
4mm x 17.6mm	9.5-12.7		RV73MS5-8	
4.8mm x 8.2mm	1.6-3.2			RV73MS6-2
4.8mm x 9.8mm	3.2-4.8			RV73MS6-3
4.8mm x 11.4mm	4.8-6.4			RV73MS6-4
4.8mm x 13mm	6.4-7.9			RV73MS6-5
4.8mm x 14.6mm	7.9-9.5			RV73MS6-6
4.8mm x 17.7mm	9.5-12.7			RV73MS6-8
4.8mm x 19.6mm	12.7-15.9			RV73MS6-10
4.8mm x 24mm	15.9-19.0			RV73MS6-12

RIVET BLIND COUNTERSUNK HEAD ALUMINIUM/STEEL

Ø x L	GRIP RANGE	4 (3.2mm)	5 (4.0mm)	6 (4.8mm)
3.2mm x 9.5mm	4.8-6.4	RV72AS4-4		
3.2mm x 11.7mm	6.4-7.9	RV72AS4-5		
3.2mm x 12.7mm	7.9-9.8	RV72AS4-6		
3.2mm x 16.1mm	9.8-12.7	RV72AS4-8		
4.0mm x 7.9mm	3.2-5.8		RV72AS5-3	
4.0mm x 10.3mm	4.8-6.4		RV72AS5-4	
4.0mm x 11.9mm	6.4-7.9		RV72AS5-5	
4.0mm x 13.5mm	7.9-9.5		RV72AS5-6	
4.8mm x 8.2mm	1.6-3.2			RV72AS6-2
4.8mm x 11mm	4.8-6.4			RV72AS6-4
4.8mm x 14.2mm	7.9-9.5			RV72AS6-6
4.8mm x 17.9mm	9.5-12.7			RV72AS6-8
4.8mm x 21mm	12.7-15.9			RV72AS6-10

RIVET BLIND COUNTERSUNK HEAD STAINLESS/STAINLESS

Ø x L	GRIP RANGE	4 (3.2mm)	5 (4.0mm)	6 (4.8mm)
3.2mm x 6.3mm	1.6-3.2	RV72STST4-2		
3.2mm x 10.9mm	4.8-6.4	RV72STST4-4		
4.0mm x 9.5mm	4.8-6.4		RV72STST5-4	
4.8mm x 9.5mm	4.8-6.4			RV72STST6-4
4.8mm x 14.7mm	7.9-9.5			RV72STST6-6



**“ MODFRAME FOR *HEAVY-DUTY* PIPEWORK, HVAC & CABLE MANAGEMENT”**

[www.fdgznz.com](http://www.fdgznz.com)

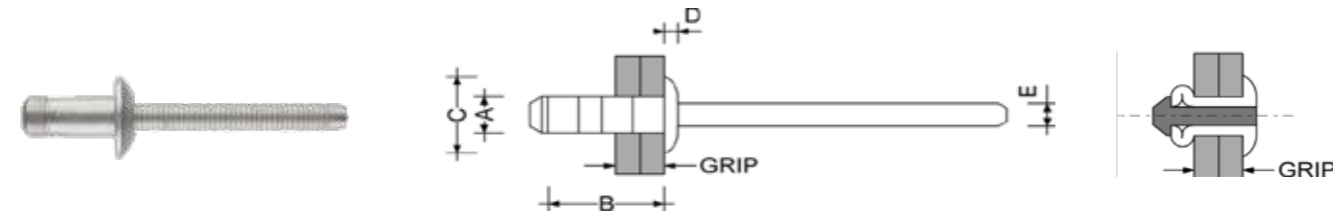




Bulb-Lok rivet is our highest strength structural rivet. The blindside upset is bulbed which helps spread the clamp force so that the joint material is not deformed. The dual locking grooves on the mandrel provide excellent resistance to vibration as well as impressive shear strength and weather tightness.

**MATERIAL:** Body: Carbon Steel  
**MANDREL:** Zinc Plated Cr VI Free

**FINISH:** Body: Zinc Plated Cr VI Free  
**MANDREL:** Carbon Steel



STEEL RIVET / STEEL MANDREL / DOME HEAD										
Ø	PART CODE	GRIP	HOLE	SHEAR	TENSILE	A	B	C	D	E
4.8mm	BLDRC-0611	1.50 - 3.50	5.0	6.9	3.5	4.8	9.0	10	1.5	3.2
4.8mm	BLDRC-0614	3.50 - 6.00	5.0	6.9	3.5	4.8	12.0	10	1.5	3.2
4.8mm	BLDRC-0618	6.00 - 8.50	5.0	6.9	3.5	4.8	15.0	10	1.5	3.2
6.4mm	BLDR-08105XG	2.00 - 4.50	6.8	10.8	7.9	6.5	10.5	13.0	3.0	4.2
6.4mm	BLDR-08125XG	3.00 - 6.50	6.8	12.2	7.9	6.5	12.5	13.0	3.0	4.2
6.4mm	BLDR-08145XG	5.00 - 8.50	6.8	13.7	7.9	6.5	14.5	13.0	3.0	4.2
6.4mm	BLDR-08165XG	7.00 - 10.5	6.8	14.2	7.9	6.5	16.5	13.0	3.0	4.2
6.4mm	BLDR-08185XG	9.00 - 12.5	6.8	15.4	7.9	6.5	17.5	13.0	3.0	4.2
6.4mm	BLDR-08205XG	11.0 - 14.5	6.8	15.4	7.9	6.5	20.5	13.0	3.0	4.2
6.4mm	BLDR-08225XG	13.0 - 16.5	6.8	15.4	7.9	6.5	22.5	13.0	3.0	4.2
7.8mm	BLDR-10135XG	4.00 - 7.00	8.0	13.8	9.1	7.8	13.5	16.0	3.7	5.2
7.8mm	BLDR-10165XG	7.00 - 10.0	8.0	15.7	9.1	7.8	16.5	16.0	3.7	5.2
7.8mm	BLDR-10195XG	10.0 - 13.0	8.0	15.7	9.1	7.8	19.5	16.0	3.7	5.2
7.8mm	BLDR-10225XG	13.0 - 16.0	8.0	15.7	9.1	7.8	22.5	16.0	3.7	5.2
7.8mm	BLDR-10255XG	16.0 - 19.0	8.0	15.7	9.1	7.8	25.5	16.0	3.7	5.2
7.8mm	BLDR-10285XG	19.0 - 22.0	8.0	15.7	9.1	7.8	28.5	16.0	3.7	5.2

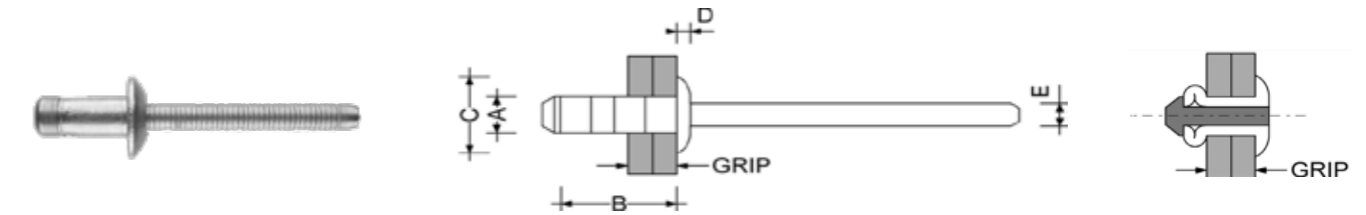
STEEL RIVET / STEEL MANDREL / LARGE FLANGE										
Ø	PART CODE	GRIP	HOLE	SHEAR	TENSILE	A	B	C	D	E
6.4mm	BLDR-08265LF	18.8 - 20.8	6.8	11.4	7.9	6.5	26.5	19.0	3.0	4.2
6.4mm	BLDR-08285LF	20.8 - 22.8	6.8	11.4	7.9	6.5	28.5	19.0	3.0	4.2



BulbLok rivet is our highest strength structural rivet. The blindside upset is bulbed which helps spread the clamp force so that the joint material is not deformed. The dual locking grooves on the mandrel provide excellent resistance to vibration as well as impressive shear strength and weather tightness.

**MATERIAL:** Austenitic Stainless Steel AISI 304Cu  
**MANDREL:** Austenitic Stainless Steel AISI 304Cu

**FINISH:** Body: Natural  
**MANDREL:** Natural



STAINLESS STEEL RIVET / STAINLESS STEEL MANDREL / DOME HEAD										
Ø	PART CODE	GRIP	HOLE	SHEAR	TENSILE	A	B	C	D	E
4.8mm	BLDU-06090	1.5-3.50	5.0	6.1	5.0	4.8	9.0	9.8	2.2	3.0
4.8mm	BLDU-06115	3.5-6.00	5.0	6.9	5.0	4.8	11.5	9.8	2.2	3.0
4.8mm	BLDU-06140	6.0-8.50	5.0	6.9	5.0	4.8	14.0	9.8	2.2	3.0
4.8mm	BLDU-06165	8.5-11.0	5.0	6.9	5.0	4.8	16.5	9.8	2.2	3.0
6.4mm	BLDU-08105XG	2.00-4.50	6.8	14.1	8.3	6.4	10.5	12.0	3.0	4.2
6.4mm	BLDU-08125XG	4.00-6.50	6.8	14.5	8.3	6.4	12.5	12.0	3.0	4.2
6.4mm	BLDU-08145XG	5.00-8.50	6.8	14.5	8.3	6.4	14.5	12.0	3.0	4.2
6.4mm	BLDU-08165XG	7.00-10.5	6.8	14.5	8.3	6.4	16.5	12.0	3.0	4.2
6.4mm	BLDU-08185XG	9.00-12.5	6.8	14.5	8.3	6.4	18.2	12.0	3.0	4.2
6.4mm	BLDU-08205XG	11.0-14.5	6.8	14.5	8.3	6.4	20.5	12.0	3.0	4.2
6.4mm	BLDU-08225XG	13.0-16.0	6.8	14.5	8.3	6.4	22.5	12.0	3.0	4.2
7.8mm	BLDU-10135XG	4.00-7.00	8.0	20.1	12.7	7.8	13.5	16.0	3.8	5.1
7.8mm	BLDU-10165XG	7.00-10.0	8.0	21.6	12.7	7.8	16.5	16.0	3.8	5.1
7.8mm	BLDU-10195XG	10.0-13.0	8.0	21.6	12.7	7.8	19.5	16.0	3.8	5.1
7.8mm	BLDU-10225XG	13.0-16.0	8.0	21.6	12.7	7.8	22.5	16.0	3.8	5.1

STAINLESS STEEL RIVET / STAINLESS STEEL MANDREL / 100° COUNTERSUNK HEAD										
Ø	PART CODE	GRIP	HOLE	SHEAR	TENSILE	A	B	C	D	E
6.4mm	BL100-U8135	4.8-7.80	6.8	10.8	8.3	6.4	13.5	10.0	2.0	4.2
6.4mm	BL100-U8155	6.80-9.80	6.8	12.8	8.3	6.4	15.5	10.0	2.0	4.2
6.4mm	BL100-U8175	8.80-11.8	6.8	13.7	8.3	6.4	17.5	10.0	2.0	4.2



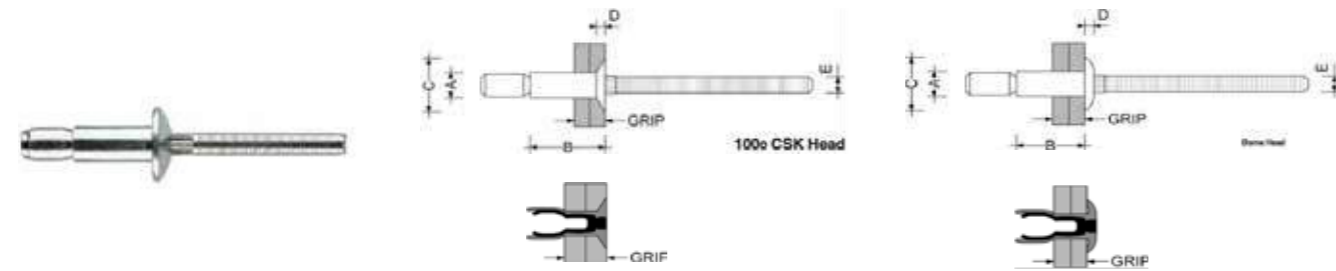
SR Series rivets are blind rivets with a mechanically locked mandrel. They are optimal for structural or demanding applications. Installed easily from one side, the rivet features impressive installed values, excellent hole fill, generous grip range, pressure tight seal and flush breaking mandrel regardless of material thickness.

**MATERIAL:** Body: Aluminium 5000

**FINISH:** Body: Clear Chromate

**MANDREL:** Aluminium 7000

**MANDREL:** Clear Chromate



### ALUMINIUM RIVET / ALUMINIUM MANDREL / DOME HEAD

Ø	PART CODE	GRIP	HOLE	SHEAR	TENSILE	A	B	C	D	E
4.8mm	SRDB-0604	1.60-6.35	5.0	3.1	2.2	4.8	10.5	9.8	2.1	3.0
4.8mm	SRDB-0607XG	1.60-11.1	5.0	3.1	2.2	4.8	4.0	9.8	2.1	3.0
6.4mm	SRDB-0806	2.00-9.50	6.8	5.9	4.4	6.4	14.2	13.3	2.8	4.0
6.4mm	SRDB-0810XG	3.00-16.0	6.8	5.9	4.4	6.4	20.5	13.3	2.8	4.0
9.5mm	SRDB-1212	3.00-16.0	9.8	13.9	8.3	9.5	21.3	20.0	4.0	5.9

### ALUMINIUM RIVET / ALUMINIUM MANDREL / 100° COUNTERSUNK HEAD

Ø	PART CODE	GRIP	HOLE	SHEAR	TENSILE	A	B	C	D	E
4.8mm	SR100-B605	3.20-8.00	5.0	3.1	2.2	4.8	11.7	8.9	1.9	2.9
4.8mm	SR100-B608	7.00-12.7	5.0	3.1	2.2	4.8	14.5	8.9	1.9	2.9
6.4mm	SR100-B807	3.20-11.1	6.8	5.9	4.4	6.4	18.7	11.0	2.2	3.9
6.4mm	SR100-B812	10.5-18.4	6.8	5.9	4.4	6.4	23.1	11.0	2.2	3.9

### ALUMINIUM RIVET / ALUMINIUM MANDREL / LARGE FLANGE

Ø	PART CODE	GRIP	HOLE	SHEAR	TENSILE	A	B	C	D	E
4.8mm	SRTB-0604	1.60-6.35	5.0	3.1	2.2	4.8	10.5	12.7	1.9	2.9
4.8mm	SRTB-0607XG	5.40-11.1	5.0	3.1	2.2	4.8	14.5	12.7	1.9	2.9
6.4mm	SRTB-0806	2.00-9.50	6.8	5.9	4.4	6.4	14.2	19.1	2.8	4.0



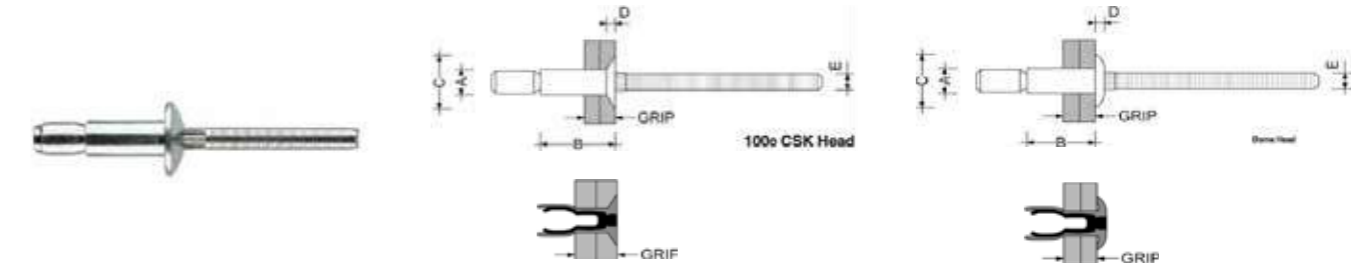
The SR Series rivets are blind rivets with a mechanically locked mandrel. They are optimal for structural or demanding applications. Installed easily from one side, the rivet features impressive installed values, excellent hole fill, generous grip range, pressure tight seal and flush breaking mandrel regardless of material thickness.

**MATERIAL:** Body: Low Carbon Steel

**FINISH:** Body: Clear Zinc Plated Cr

**MANDREL:** Medium Carbon Steel

**MANDREL:** Clear Zinc Plated



### STEEL RIVET / STEEL MANDREL / DOME HEAD

Ø	PART CODE	GRIP	HOLE	SHEAR	TENSILE	A	B	C	D	E
4.8mm	SRDR-0604	1.60-6.35	5	6.4	4.9	4.8	10.5	9.8	2.1	3
4.8mm	SRDR-0607XG	1.60-11.1	5	6.4	4.9	4.8	14.5	9.8	2.1	3
6.4mm	SRDR-0806	2.00-9.50	6.8	12.2	9.8	6.4	14.2	13.3	2.8	4
6.4mm	SRDR-0810XG	2.00-16.0	6.8	12.2	9.8	6.4	20.5	13.3	2.8	4
6.4mm	SRDR-0814XG	9.00-22.5	6.8	12.2	9.8	6.4	26.7	13.3	2.8	4
6.4mm	SRDR-0818	21.0-28.5	6.8	12.2	9.8	6.4	33.3	13.3	2.8	4
6.4mm	SRDR-0822	25.4-35.0	6.8	12.2	9.8	6.4	39	13.3	2.8	4
7.8mm	SRDR-1010	3.50-16.0	8	13.7	9.8	7.8	21	16	3.5	5.1
9.5mm	SRDR-1212	3.00-15.8	9.8	26.7	17.8	9.5	21.3	20	4	5.8
9.5mm	SRDR-1218	16.0-29.0	9.8	26.7	17.8	9.5	35.6	20	4	5.8
9.5mm	SRDR-1224	25.4-38.1	9.8	26.7	17.8	9.5	45	20	4	5.8
12.7mm	SRDR-1612	3.50-16.0	13.4	44.4	31.1	12.7	27.7	25.1	6.1	7.8

### STEEL RIVET / STEEL MANDREL / 100° COUNTERSUNK HEAD

Ø	PART CODE	GRIP	HOLE	SHEAR	TENSILE	A	B	C	D	E
4.8mm	SR100-R605	3.20-8.00	5	6.4	4.9	4.8	14.1	8.9	1.8	3
4.8mm	SR100-R608	7.00-12.7	5	6.4	4.9	4.8	17.1	8.9	1.8	3
6.4mm	SR100-R807	3.20-11.1	6.8	12.2	9.8	6.4	18.7	11	2	4
6.4mm	SR100-R812	10.5-18.4	6.8	12.2	9.8	6.4	23.1	11	2	4
6.4mm	SR100-R816	12.0-25.4	6.8	12.2	9.8	6.4	29	11	2	4
9.5mm	SR100-R1212	6.00-19.0	9.8	26.7	17.8	9.5	21.3	20	4	5.8

### STEEL RIVET / STEEL MANDREL / LARGE FLANGE

Ø	PART CODE	GRIP	HOLE	SHEAR	TENSILE	A	B	C	D	E
4.8mm	SRTR-0604	1.60-6.35	5	6.4	4.9	4.8	10.5	12.7	1.9	2.9
4.8mm	SRTR-0607	5.40-11.1	5	6.4	4.9	4.8	14.5	12.7	1.9	2.9



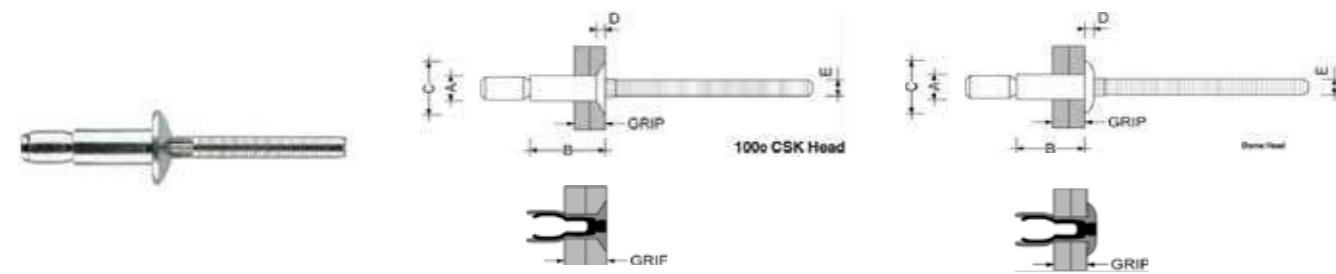
SR Series rivets are blind rivets with a mechanically locked mandrel. They are optimal for structural or demanding applications. Installed easily from one side, the rivet features impressive installed values, excellent hole fill, generous grip range, pressure tight seal and flush breaking mandrel regardless of material thickness.

**MATERIAL:** Body: Stainless Steel 300

**FINISH:** Body: Passivated

**MANDREL:** Stainless Steel 300

**MANDREL:** Dry Lubricated



STAINLESS STEEL RIVET   STAINLESS STEEL MANDREL   DOME HEAD										
Ø	PART CODE	GRIP	HOLE	SHEAR	TENSILE	A	B	C	D	E
4.8mm	SRDU-0604	1.60 - 6.40	5.0	6.2	4.4	4.8	10.5	9.8	2.1	3.0
4.8mm	SRDU-0607XG	1.60 - 11.1	5.0	6.2	4.4	4.8	14.5	9.8	2.1	3.0
6.4mm	SRDU-0806	2.00 - 9.50	6.8	11.1	8.3	6.4	14.2	13.3	2.8	4.0
6.4mm	SRDU-0810XG	2.00 - 15.9	6.8	11.1	8.3	6.4	20.5	13.3	2.8	4.0
6.4mm	SRDU-0814	14.0 - 22.0	6.8	11.1	8.3	6.4	26.6	13.3	2.8	4.0
7.8mm	SRDU-1010	4.00 - 16.0	8.0	17.7	11.8	7.8	21.0	16.0	3.5	5.1
9.5mm	SRDU-1212	3.00 - 16.0	9.8			9.5	21.3	20.0	3.5	5.8

STAINLESS STEEL RIVET / STAINLESS STEEL MANDREL / 100° COUNTERSUNK HEAD										
Ø	PART CODE	GRIP	HOLE	SHEAR	TENSILE	A	B	C	D	E
4.8mm	SR100-U606	3.20 - 8.00	5.0	6.2	4.4	4.8	14.7	8.9	1.8	3.0
4.8mm	SR100-U609	7.00 - 12.7	5.0	6.2	4.4	4.8	17.1	8.9	1.8	3.0
6.4mm	SR100-U808	3.20 - 11.1	6.8	11.1	8.3	6.4	18.7	11.0	2.0	4.0
6.4mm	SR100-U812	10.5 - 18.4	6.8	11.1	8.3	6.4	23.1	11.0	2.0	4.0

# ASSORTED TOOLS

FDG offer a Range of Rivet & Rivnut setting tools. Let's Chat, we are here to help!







Ø	GRIP RANGE	ALUMINIUM
3mm	0.25-1.80	RNLF3-5SGAL
4mm	0.25-2.50	RNLF4-6LGAL
4mm	2.50-3.50	RNLF4-6SGAL
5mm	0.25-2.50	RNLF5-7SGAL
5mm	2.50-3.50	RNLF5-7MGAL
5mm	3.00-5.00	RNLF5-7LGAL
6mm	0.25-2.50	RNLF6-9SGAL
6mm	2.50-3.50	RNLF6-9MGAL
6mm	3.00-5.00	RNLF6-9LGAL
8mm	0.25-2.50	RNLF8-11SGAL
8mm	2.50-3.50	RNLF8-11MGAL
8mm	3.00-5.00	RNLF8-11LGAL
10mm	1.00-2.50	RNLF10-13MGAL
10mm	2.50-4.00	RNLF10-13LGAL

Ø	GRIP RANGE	ZINC
3mm	0.50-2.00	RNLF3-5SGZ
4mm	0.50-2.50	RNLF4-6SGZ
4mm	2.50-4.00	RNLF4-6LGZ
5mm	0.70-3.00	RNLF5-7SGZ
5mm	2.50-4.50	RNLF5-7LGZ
6mm	0.50-3.00	RNLF6-9SGZ
6mm	3.00-5.00	RNLF6-9LGZ
8mm	1.00-3.00	RNLF8-11SGZ
8mm	3.00-5.50	RNLF8-11LGZ
10mm	1.10-4.00	RNLF10-13SGZ
10mm	4.50-6.00	RNLF10-13LGZ
12mm	1.00-4.00	RNLF12-16SGZ
12mm	4.00-7.00	RNLF12-16LGZ
16mm	1.00-5.00	RNLF16-21SGZ

Ø	GRIP RANGE	ZINC
4mm	0.50-2.50	RNCSKH4-6SGZ
4mm	2.50-4.00	RNCSKH4-6LGZ
5mm	0.50-3.00	RNCSKH5-7SGZ
5mm	3.00-4.50	RNCSKH5-7LGZ
6mm	0.60-3.00	RNCSKH6-9SGZ
6mm	3.00-5.50	RNCSKH6-9LGZ
8mm	0.70-3.00	RNCSKH8-11SGZ
8mm	3.00-5.50	RNCSKH8-11LGZ
10mm	1.00-4.50	RNCSKH10-13SGZ
12mm	1.40-4.00	RNCSKH12-16SGZ
12mm	3.50-6.50	RNCSKH12-16MGZ

Ø	GRIP RANGE	304 STAINLESS
4mm	0.50-2.50	RNCSKH4-6SGA2
5mm	0.50-3.00	RNCSKH5-7SGA2
5mm	3.00-4.50	RNCSKH5-7LGA2
6mm	0.50-3.00	RNCSKH6-9SGA2
6mm	3.00-5.00	RNCSKH6-9LGA2
8mm	0.60-3.00	RNCSKH8-11SGA2
8mm	3.00-5.50	RNCSKH8-11LGA2
10mm	1.00-3.50	RNCSKH10-13SGA2
12mm	1.00-3.50	RNCSKH12-16SGA2



Ø	GRIP RANGE	ALUMINIUM
3mm	0.80-1.50	RNCSK3-5SGAL
4mm	0.80-2.50	RNCSK4-6LGAL
4mm	2.50-3.50	RNCSK4-6SGAL
5mm	0.80-2.50	RNCSK5-7SGAL
5mm	2.50-3.50	RNCSK5-7MGAL
6mm	0.80-2.50	RNCSK6-9LGAL
6mm	2.50-4.00	RNCSK6-9SGAL
8mm	1.00-2.50	RNCSK8-11MGAL
8mm	2.50-4.00	RNCSK8-11LGAL
10mm	1.00-2.50	RNCSK10-13SGAL
10mm	2.50-4.00	RNCSK10-13MGAL

Ø	GRIP RANGE	ZINC
3mm	0.50-2.00	RNCSK3-5SGZ
4mm	0.50-2.00	RNCSK4-6.75SGZ
4mm	2.50-3.30	RNCSK4-6.75LGZ
5mm	0.50-3.30	RNCSK5-7.6SGZ
5mm	3.30-5.70	RNCSK5-7.6LGZ
6mm	0.70-4.20	RNCSK6-10SGZ
6mm	4.20-6.60	RNCSK6-10LGZ
8mm	0.70-3.80	RNCSK8-13.5SGZ
8mm	3.80-7.90	RNCSK8-13.5LGZ
10mm	0.70-3.80	RNCSK10-13.5SGZ
10mm	3.80-7.90	RNCSK10-13.5LGZ
12mm	1.60-5.10	RNCSK12-17.45SGZ
12mm	5.10-8.90	RNCSK12-17.45MGZ
12mm	8.90-12.7	RNCSK12-17.45LGZ

Ø	GRIP RANGE	304 STAINLESS
3mm	0.50-2.00	RNCSK3-5SGA2
4mm	0.50-2.00	RNCSK4-6SGA2
4mm	2.50-4.00	RNCSK4-6LGA2
5mm	0.50-3.30	RNCSK5-7SGA2
5mm	3.00-4.50	RNCSK5-7LGA2
6mm	0.50-3.00	RNCSK6-9SGA2
6mm	3.00-5.00	RNCSK6-9LGA2
8mm	0.50-3.00	RNCSK8-11SGA2
8mm	3.00-5.50	RNCSK8-11LGA2
10mm	1.00-3.50	RNCSK10-13SGA2
10mm	3.50-6.60	RNCSK10-13LGA2
12mm	1.00-4.20	RNCSK12-16SGA2

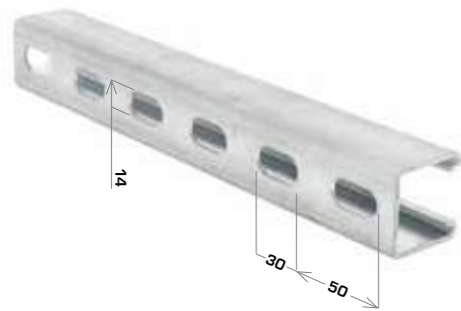
RIVNUT SPLINED LARGE FLANGE		
Ø	GRIP RANGE	ZINC
3/16"	0.50-3.30	RNLFC3/16-7.52SGZ
1/4"	0.70-4.20	RNLFC1/4-9.91SGZ
5/16"	0.70-3.80	RNLFC5/16-13.46SGZ
3/8"	0.70-3.80	RNLFC3/8-13.46SGZ
7/16"	1.60-5.10	RNLFC7/16-17.45SGZ

PLUS NUTS		
Ø	GRIP RANGE	ZINC
5mm	0.50-4.45	RNPLUS5-7.5SGZ
5mm	4.45-8.10	RNPLUS5-7.5LGZ
6mm	0.05-7.10	RNPLUS6-10SGZ
6mm	7.10-12.7	RNPLUS6-10LGZ
8mm	0.50-7.10	RNPLUS8-12.5SGZ
8mm	7.10-12.7	RNPLUS8-12.5LGZ
10mm	0.50-7.10	RNPLUS10-15.1SGZ

# STRUT & CABLE TRAY

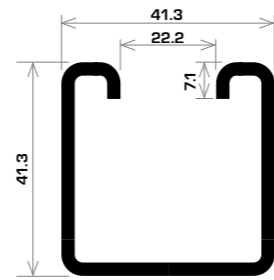
<u>Channel</u>	<u>198-201</u>
<u>Strut Nuts</u>	<u>202</u>
<u>Cantilever Brackets</u>	<u>203</u>
<u>Base Plates</u>	<u>204</u>
<u>Plate Fittings &amp; Brackets</u>	<u>205-220</u>
<u>Beam Clamps</u>	<u>221-223</u>
<u>Trolleys</u>	<u>224-225</u>
<u>End Caps &amp; Vertigos</u>	<u>226-228</u>
<u>Cable Tray</u>	<u>229-231</u>
<u>Snap Fire Collars</u>	<u>232-234</u>
<u>Foil Flex</u>	<u>235</u>





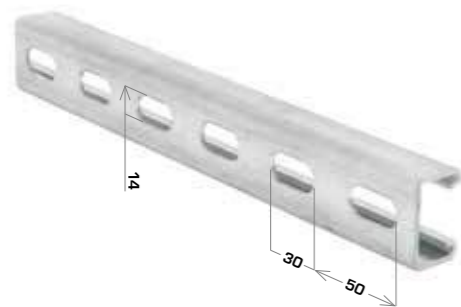
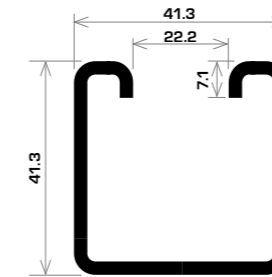
### SLOTTED STRUT 40 X 40 X 2.5 X 6

PART NO.	DESCRIPTION	SIZE MM	LENGTH
FDG1000TP	Pre-Galv	40 x 40 x 2.5 x 6	6m
FDG1000TG	HDG	40 x 40 x 2.5 x 6	6m
FDG1000TSS	Stainless	40 x 40 x 2.5 x 6	6m



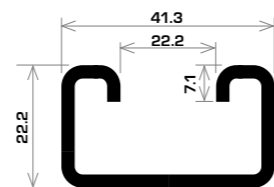
### SOLID STRUT 40 X 40 X 2.5 X 6

PART NO.	DESCRIPTION	SIZE MM	LENGTH
FDG1000P	Pre-Galv	40 x 40 x 2.5	6m
FDG1000G	HDG	40 x 40 x 2.5	6m



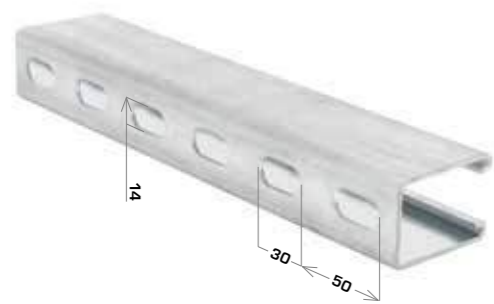
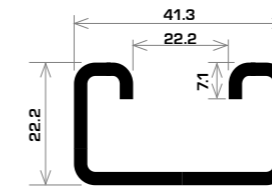
### SLOTTED STRUT 40 X 20 X 2.5 X 6

PART NO.	DESCRIPTION	SIZE MM	LENGTH
FDG3000TP	Pre-Galv	40 x 20 x 2.5 x 6	6m
FDG3000TG	HDG	40 x 20 x 2.5 x 6	6m
FDG3000TSS	Stainless	40 x 20 x 2.0 x 6	6m



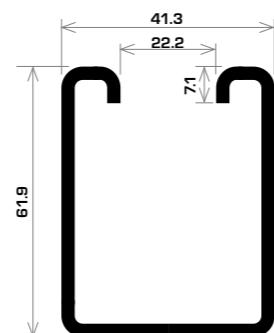
### SOLID STRUT 40 X 20 X 2.5 X 6

PART NO.	DESCRIPTION	SIZE MM	LENGTH
FDG3000P	Pre-Galv	40 x 20 x 2.5	6m
FDG3000G	HDG	40 x 20 x 2.5	6m



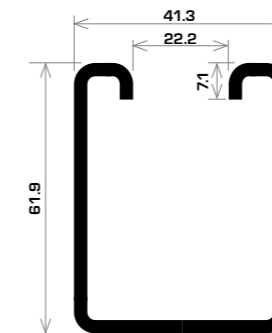
### SLOTTED STRUT 40 X 60 X 2.5 X 6

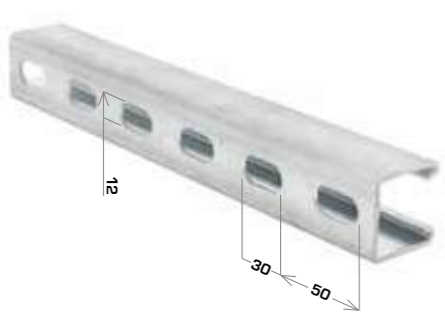
PART NO.	DESCRIPTION	SIZE MM	LENGTH
FDG5000TP	Pre-Galv	40 x 60 x 2.5	6m
FDG5000TG	Galv	40 x 60 x 2.5	6m



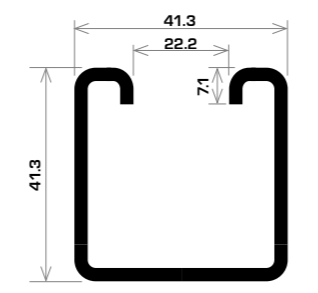
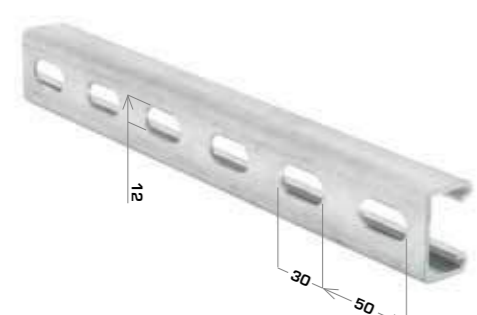
### SOLID STRUT 40 X 60 X 2.5 X 6

PART NO.	DESCRIPTION	SIZE MM	LENGTH
FDG5000G	Pre-Galv	40 x 60 x 2.5	6m

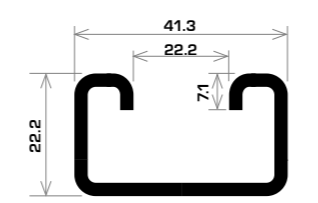
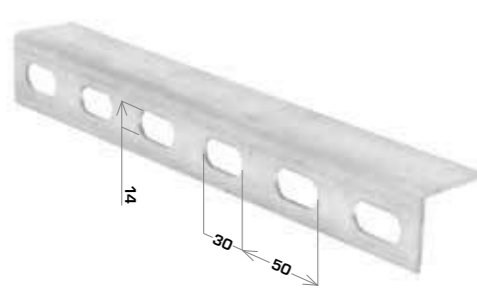


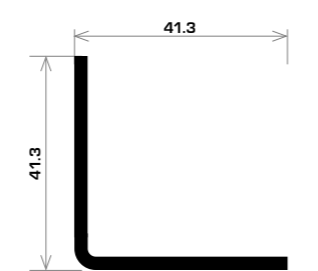
SLOTTED STRUT 40 X 40 X 2.5 X 3			
PART NO.	DESCRIPTION	SIZE MM	LENGTH
FDG1000T-12P	Pre-Galv	40 x 40 x 2.5	3m


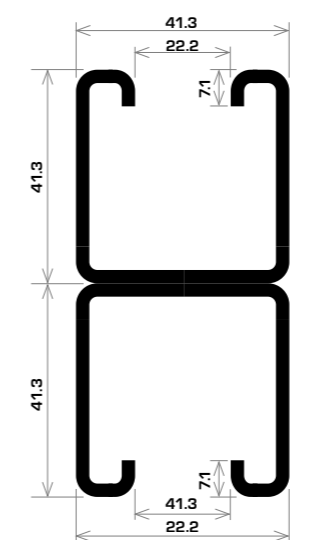
SLOTTED STRUT 40 X 20 X 2.5 X 3			
PART NO.	DESCRIPTION	SIZE MM	LENGTH
FDG3000T-12P	Pre-Galv	40 x 20 x 2.5	3m

SLOTTED ANGLE			
PART NO.	DESCRIPTION	SIZE MM	LENGTH
FDG15030P	Pre-Galv	35 x 35 x 2.5	3m
FDG15040P	Pre-Galv	40 x 40 x 2.5	3m
FDG15050P	Pre-Galv	50 x 50 x 2.5	3m



SOLID STRUT 40 X 80 X 2.5 X 6			
PART NO.	DESCRIPTION	SIZE MM	LENGTH
FDG1001P	Pre-Galv	40 x 80 x 2.5	6m
FDG1001G	HDG	40 x 80 x 2.5	6m
FDG1001B	Black	40 x 80 x 2.5	6m



SPRING NUT			
PART NO.	DESCRIPTION	PACK QTY	FINISH
NUTM8SLS	M8	100	Zinc/Galv
NUTM10SLS	M10	100	Zinc/Galv/SS
NUTM12SLS	M12	100	Zinc/Galv/SS
NUTM16SLS	M16	100	Zinc/Galv

\*Short Spring Nuts also Available



SPRING NUT WITH NO SPRING			
PART NO.	DESCRIPTION	PACK QTY	FINISH
NUTM8SNSZ	M8	100	Zinc
NUTM10SNSZ	M10	100	Zinc
NUTM12SNSZ	M12	100	Zinc



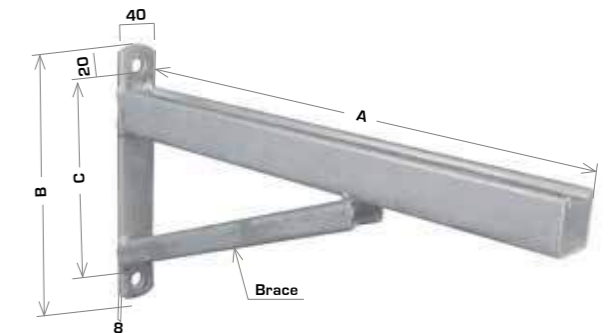
SPEED NUT			
PART NO.	DESCRIPTION	PACK QTY	FINISH
NUTM10SNZ	M10	100	Zinc



T-NUT			
PART NO.	DESCRIPTION	PACK QTY	FINISH
53NUTM10STZ	M10	100	Zinc

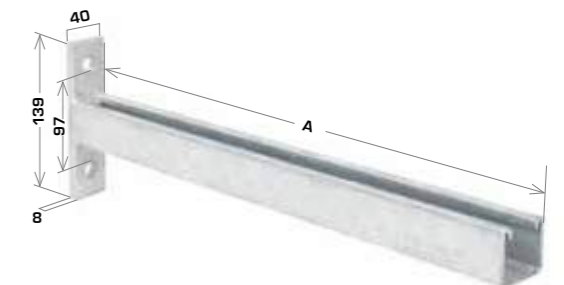
### CANTILEVER BRACKETS - BRACED (HDG)

PART NO.	LENGTH MM (A)	B	C
53CB320G	320	195	150
53CB470G	470	195	130
53CB635G	635	400	365
53CB780G	780	400	360
53CB930G	930	400	360



### CANTILEVER BRACKETS - UNBRACED (HDG)

PART NO.	LENGTH MM (A)
53CBU150G	150
53CBU300G	300
53CBU450G	450
53CBU600G	600
53CBU700G	700
53CBU1000G	1000

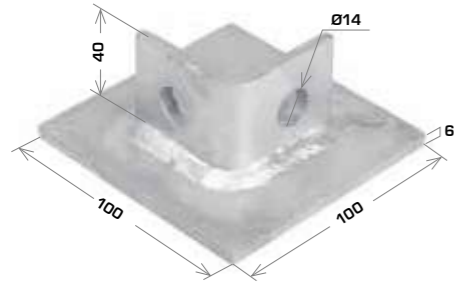


### ROD STIFFNER

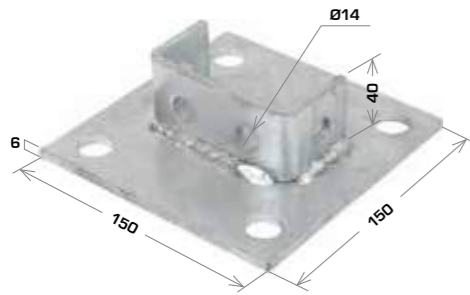
PART NO.	DESCRIPTION	PACK QTY	FINISH
HTRS-3 PCE	M10	100	Zinc



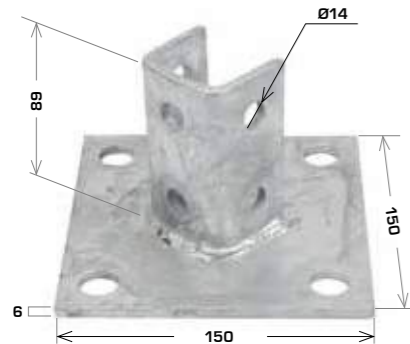




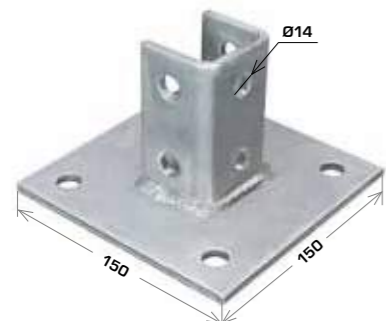
STRUT BASE PLATE 40 X 100 (HDG)			
PART NO.	SIZE - MM	PACK QTY	TO SUIT
FDG2072SIG	100 x 100 x 40	20	19D1000



BASE PLATE 150 ANGLE (HDG)			
PART NO.	SIZE - MM	PACK QTY	TO SUIT
FDG2073G	150 x 150 x 40	10	19D1001



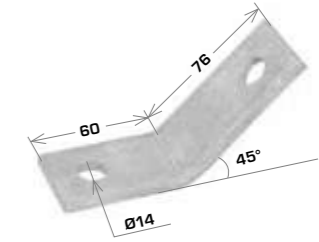
BASE PLATE 150 ANGLE (HDG)			
PART NO.	SIZE - MM	PACK QTY	TO SUIT
FDG2072AG	150 x 150 x 89	10	19D1000



STRUT BASE PLATE 150 SQUARE				
PART NO.	SIZE - MM	PACK QTY	TO SUIT	FINISH
FDG2072BG	150 x 150 x 89	10	19D1000	Galv
FDG2072BSS	150 x 150 x 89	10	19D1000	S/S

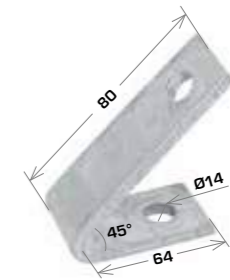
ANGLE BRACKET - EXTERNAL ANGLE 45°

PART NO.	DESCRIPTION	PACK QTY	FINISH
FDG1546G	45° - 53mm	100	Galv
FDG1546SS	45° - 53mm	100	S/S



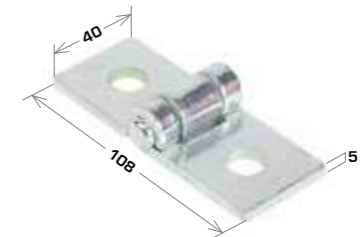
ANGLE BRACKET - INTERNAL ANGLE 45°

PART NO.	DESCRIPTION	PACK QTY	FINISH
FDG1186G	45° - 63mm	100	Galv



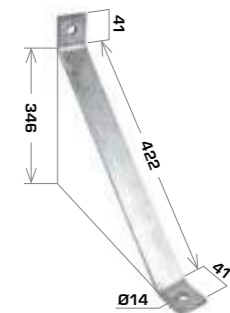
HINGE ANGLE BRACKET

PART NO.	DESCRIP	WIDTH	THICK	PACK QTY	FINISH
53AS2H	40° - 108mm	40	5	100	ZP



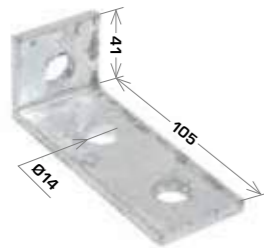
BRACE FITTING - ANGLE BRACE

Part No.	Size - MM	PACK QTY	FINISH
FDG2452G	45° - 422	100	Galv

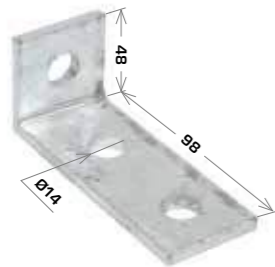




ANGLE BRACKET - 2 HOLE			
PART NO.	DESCRIPTION	PACK QTY	FINISH
FDG1026G	48 x 51	200	Galv
FDG1026SS	48 x 51	200	S/S



ANGLE BRACKET - 3 HOLE			
PART NO.	TYPE	PACK QTY	FINISH
FDG1326G	41 X 105	20	Galv



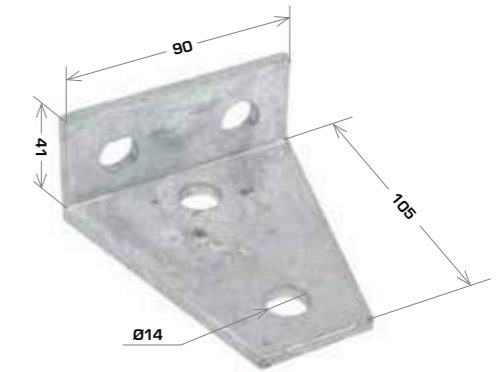
ANGLE BRACKET - 3 HOLE			
PART NO.	TYPE	PACK QTY	FINISH
FDG1346G	48 X 98	10	Galv



ANGLE BRACKET - 3 HOLE			
PART NO.	TYPE	PACK QTY	FINISH
FDG1458G	90 x 57	10	Galv

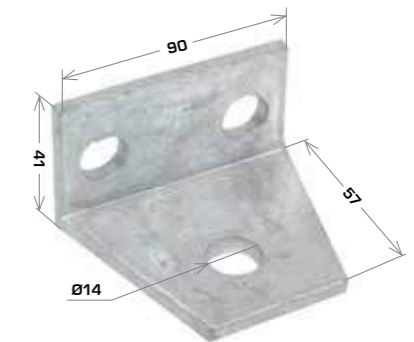
### ANGLE BRACKET - WIDE ANGLE TEE

PART NO.	DESCRIPTION	PACK QTY	FINISH
FDG1359G	90 X 105	10	Galv



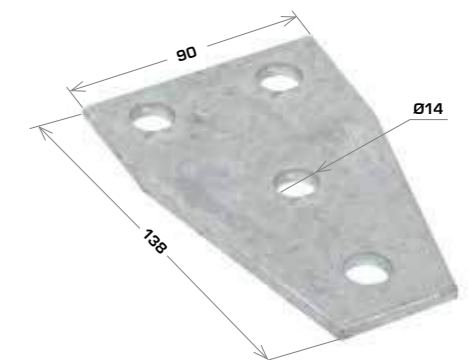
### ANGLE BRACKET - NARROW ANGLE TEE

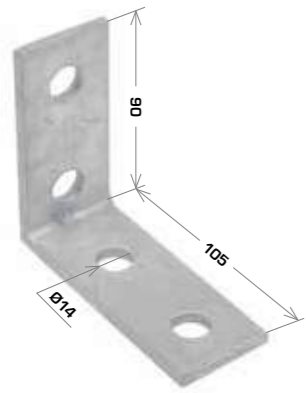
PART NO.	DESCRIPTION	PACK QTY	FINISH
FDG1357G	90 X 57	10	Galv



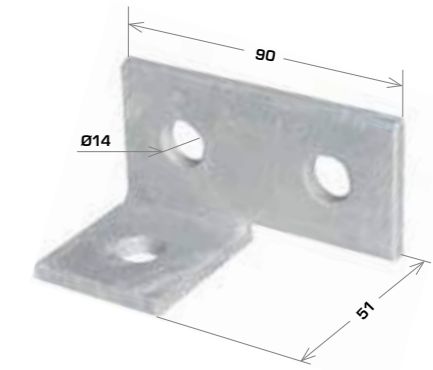
### FLAT ANGLE BRACKET

PART NO.	TYPE	PACK QTY	FINISH
FDG1358G	89 x 105	10	Galv

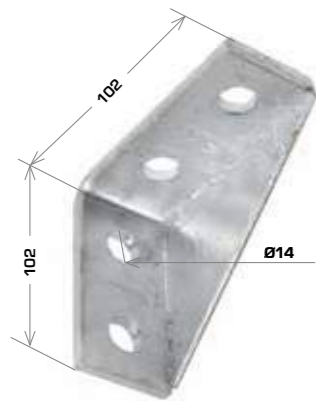




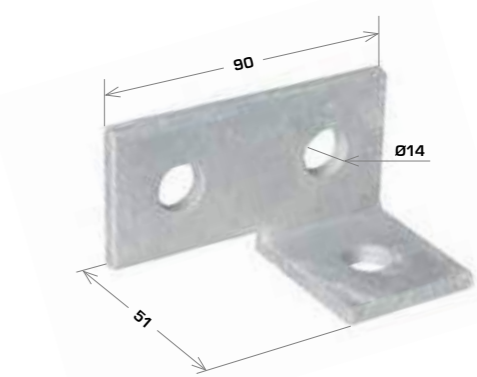
ANGLE BRACKET - 4 HOLE			
PART NO.	TYPE	PACK QTY	FINISH
FDG1325G	90 x 105	10	Galv



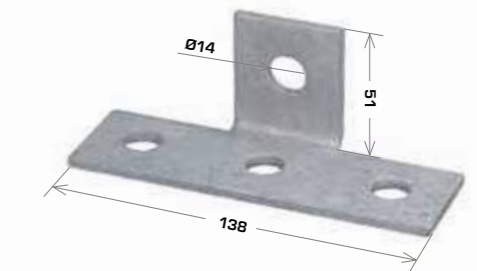
WINGED FITTING			
PART NO.	DESCRIPTION	PACK QTY	FINISH
FDG1038G	90 x 51	10	Galv



ANGLE BRACKET - 4 HOLE BRACED			
PART NO.	TYPE	PACK QTY	FINISH
FDG2484G	102 x 102	10	Galv



WINGED FITTING			
PART NO.	DESCRIPTION	PACK QTY	FINISH
FDG1037G	90 x 51	10	Galv



WINGED FITTING			
PART NO.	DESCRIPTION	PACK QTY	FINISH
FDG1033G	51 x 138	10	Galv

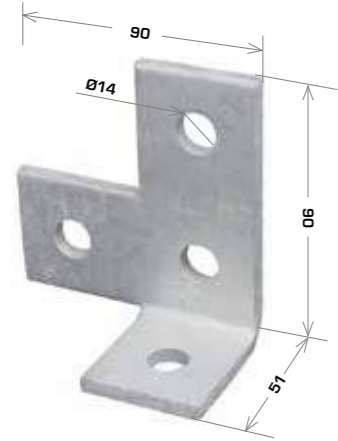
**FDG**

**LinkedIn**  [/fasteners-direct-global-ltd](https://www.linkedin.com/company/fasteners-direct-global-ltd)

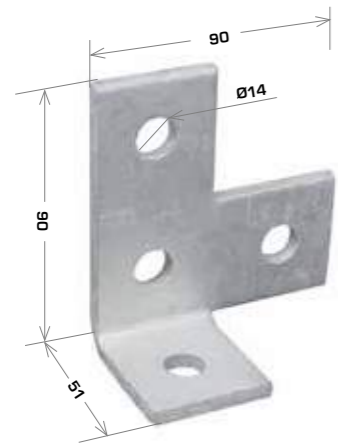
**FOLLOW US**

“Keep up to date with our recent projects, industry news and product offers.”





WINGED FITTING			
PART NO.	TYPE	PACK QTY	FINISH
FDG1034G	90 x 90	10	Galv



WINGED FITTING			
PART NO.	TYPE	PACK QTY	FINISH
FDG1035G	90 x 90	10	Galv

ROD BASE PLATE

PART NO.	SIZE - MM	PACK QTY	FINISH
53BP10Z	M10	20	ZP



ROD BASE PLATE 45°

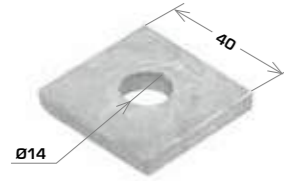
PART NO.	SIZE - MM	PACK QTY	FINISH
53BPH10Z	M10	20	ZP



ROD BASE PLATE VERTICAL

PART NO.	SIZE - MM	PACK QTY	FINISH
53BPV10Z	M10	20	ZP

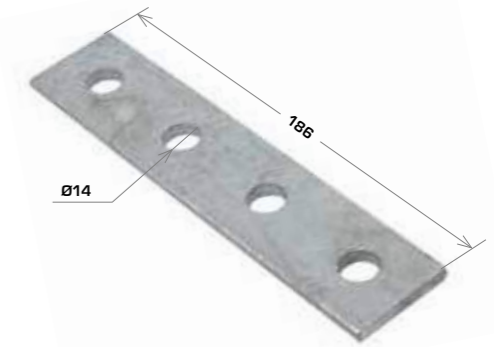




FLAT PLATE FITTING - 1 HOLE			
PART NO.	TYPE	PACK QTY	FINISH
W8X40SQX3G	40 x 40 x 3mm x M8	100	Galv
W10X40SQX3G	40 x 40 x 3mm x M10	100	Galv
W12X40SQX3G	40 x 40 x 3mm x M12	100	Galv
W16X40SQX3G	40 x 40 x 3mm x M16	100	Galv
W10X40SQX6G	40 x 40 x 6mm x M10	100	Galv
W12X40SQX6G	40 x 40 x 6mm x M12	100	Galv
W16X40SQX6G	40 x 40 x 6mm x M16	100	Galv

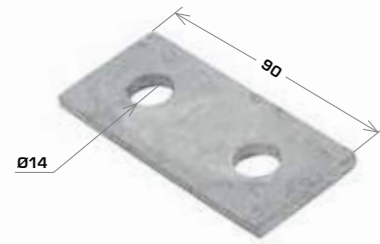
FLAT PLATE FITTING - 4 HOLE

PART NO.	TYPE	PACK QTY	FINISH
FDG1067G	40 x 186	20	Galv



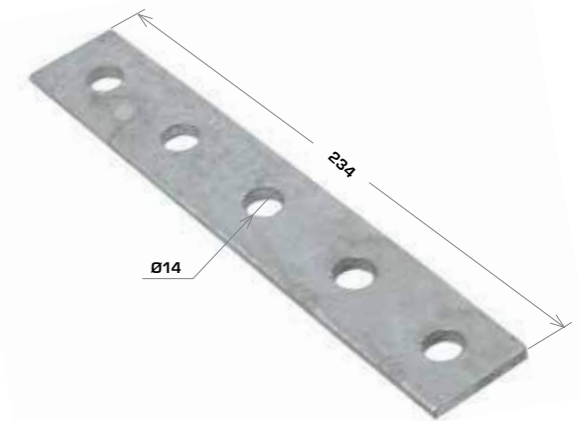
FLAT PLATE FITTING - 2 HOLE

PART NO.	TYPE	PACK QTY	FINISH
FDG1065G	40 x 90	100	Galv



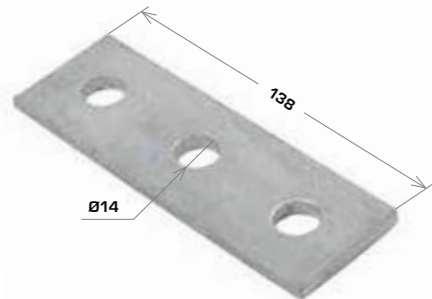
FLAT PLATE FITTING - 5 HOLE

PART NO.	TYPE	PACK QTY	FINISH
FDG1941G	40 x 234	20	Galv



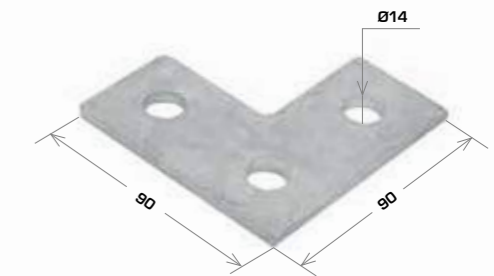
FLAT PLATE FITTING - 3 HOLE

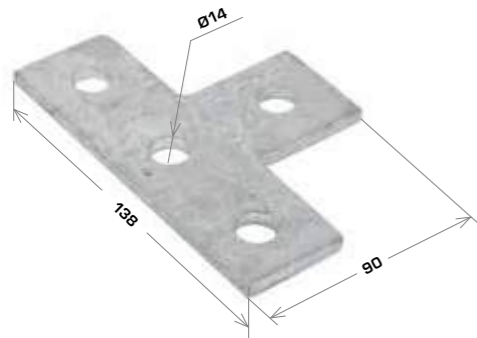
PART NO.	TYPE	PACK QTY	FINISH
FDG1066G	40 x 138	50	Galv



FLAT PLATE FITTING - RIGHT ANGLE

PART NO.	TYPE	PACK QTY	FINISH
FDG1036G	90 x 90	20	Galv

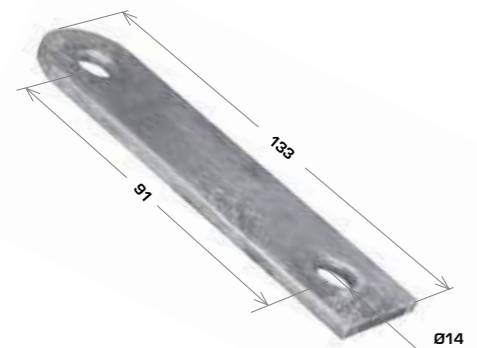
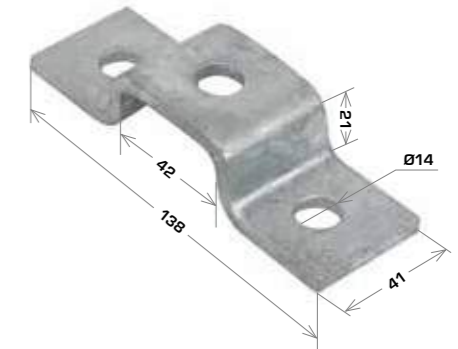




FLAT PLATE FITTING - TEE			
PART NO.	DESCRIPTION	PACK QTY	FINISH
FDG1031G	90 x 138	20	Galv

### U SHAPED BRACKET

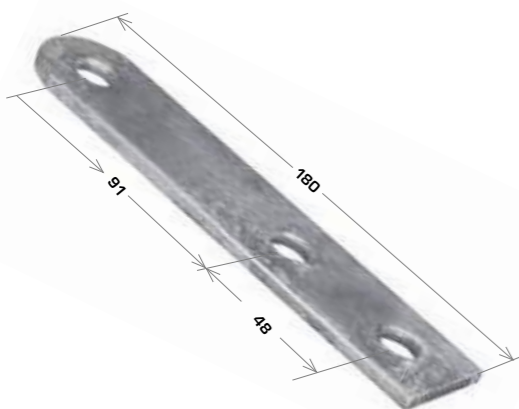
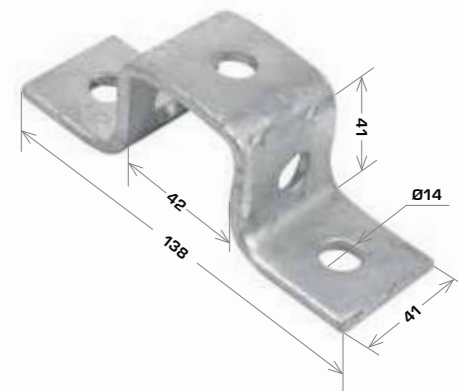
PART NO.	DESCRIPTION	PACK QTY	FINISH
FDG4047G	40 x 20 x 137	40	Galv



FLAT PLATE FITTING - 2 HOLE			
PART NO.	DESCRIPTION	PACK QTY	FINISH
FDG2325G	90 x 105	20	Galv

### U SHAPED BRACKET

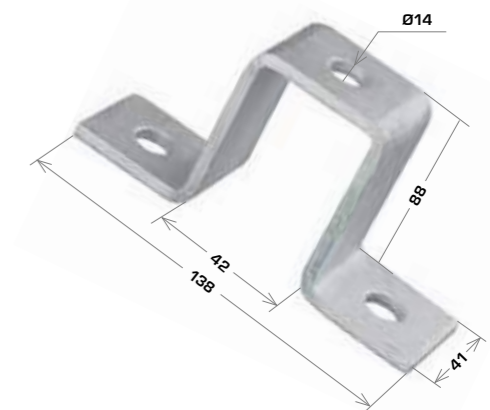
PART NO.	DESCRIPTION	PACK QTY	FINISH
FDG1047G	40 x 40 x 137	20	Galv



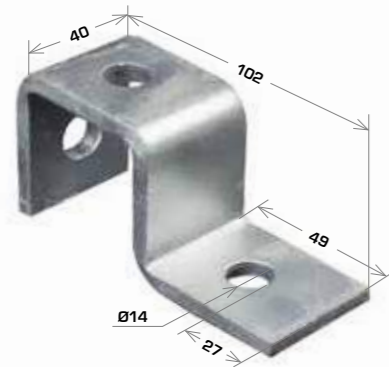
FLAT PLATE FITTING - 3 HOLE			
PART NO.	TYPE	PACK QTY	FINISH
FDG2324G	41 x 105	20	Galv

### U SHAPED BRACKET

PART NO.	DESCRIPTION	PACK QTY	FINISH
FDG1737G	45 x 96	10	Galv



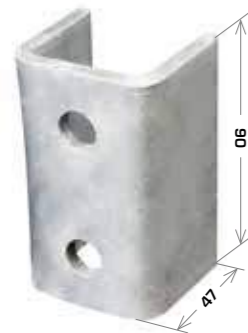




U SHAPED BRACKET			
PART NO.	DESCRIPTION	PACK QTY	FINISH
FDG1046G	40 x 102	10	Galv

### U SHAPED BRACKET

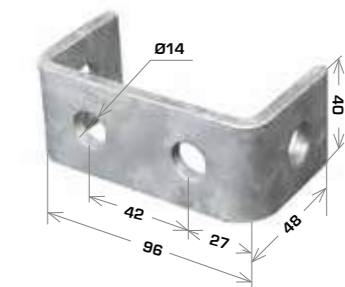
PART NO.	DESCRIPTION	PACK QTY	FINISH
FDG4376G	20 x 90	1	Galv



U SHAPED BRACKET			
PART NO.	TYPE	PACK QTY	FINISH
FDG1376G	45 x 90	10	Galv

### U SHAPED BRACKET

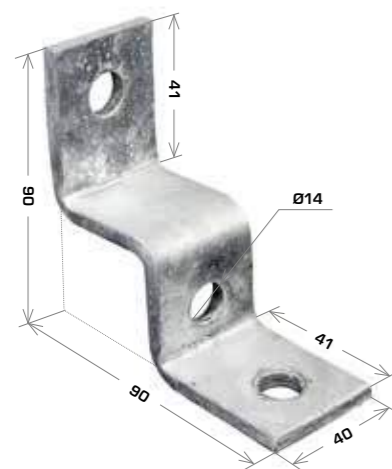
PART NO.	DESCRIPTION	PACK QTY	FINISH
FDG1044G	45 x 96	1	Galv



U SHAPED BRACKET			
PART NO.	TYPE	PACK QTY	FINISH
FDG1377G	45 x 186	10	Galv

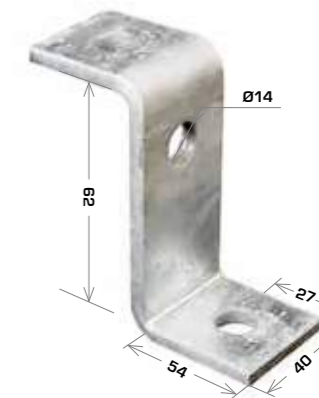
“KEEPS YOUR BUSINESS  
**MOVING AND MAKING**”

**FDG**



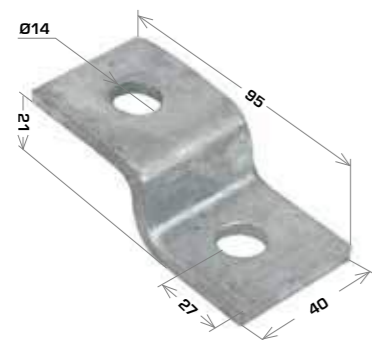
Z SHAPED BRACKET			
PART NO.	DESCRIPTION	PACK QTY	FINISH
FDG1736G	45 x 90 x 90	10	Galv

Z SHAPED BRACKET			
PART NO.	DESCRIPTION	PACK QTY	FINISH
FDG5545G	45 x 65 x 90	10	Galv



Z SHAPED BRACKET			
PART NO.	DESCRIPTION	PACK QTY	FINISH
FDG1045G	45 x 45 x 94	10	Galv

MOUNTING PLATES			
CODE	STRUT	PULLOUT LOAD	SLIP LOAD
FDG3087G	FDG1000G	4.41kN	3.53kN
FDG3087G	FDG2000G	4.41kN	1.32kN



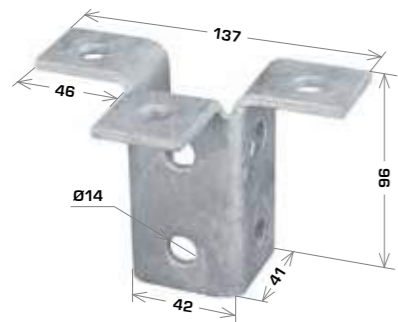
Z SHAPED BRACKET			
PART NO.	DESCRIPTION	PACK QTY	FINISH
FDG4045G	45 x 25 x 95	10	Galv



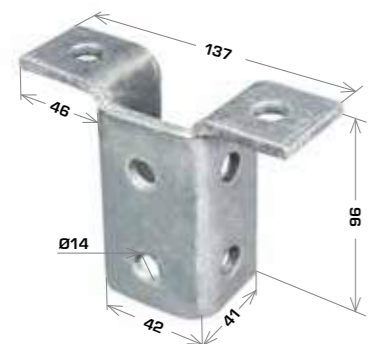
WING SHAPED BRACKET			
PART NO.	DESCRIPTION	PACK QTY	FINISH
FDG2223G	45° - 53mm	1	Galv



WING SHAPED BRACKET			
PART NO.	DESCRIPTION	PACK QTY	FINISH
FDG2224G	45° - 63mm	1	Galv



WING SHAPED BRACKET			
PART NO.	DESCRIPTION	PACK QTY	FINISH
FDG2228G	48 x 51	200	Galv



WING SHAPED BRACKET			
PART NO.	TYPE	PACK QTY	FINISH
FDG2346G	41 x 105	1	Galv

### BEAM CLAMPS FOR STRUT

PART NO.	SIZE - MM	PACK QTY
53UCBCH10	M10	50
53UCBCH12	M12	50



### BEAM CLAMPS

PART NO.	SIZE - MM	PACK QTY
FDG1379	40 x 82	20

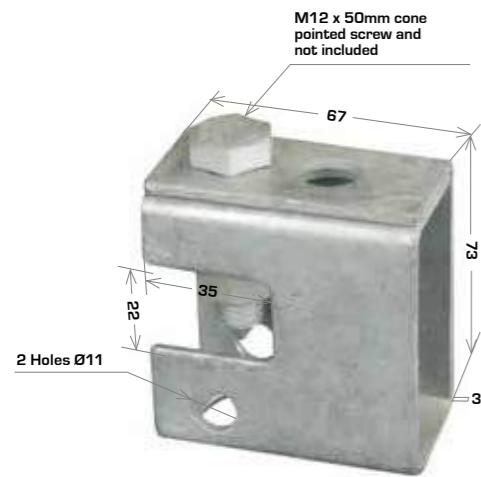


### UNIVERSAL JOINT

PART NO.	DESCRIPTION	PACK QTY	FINISH
53UJ-3PCE-10	M10	25	Zinc
53UJ-3PCE-12	M12	25	Zinc

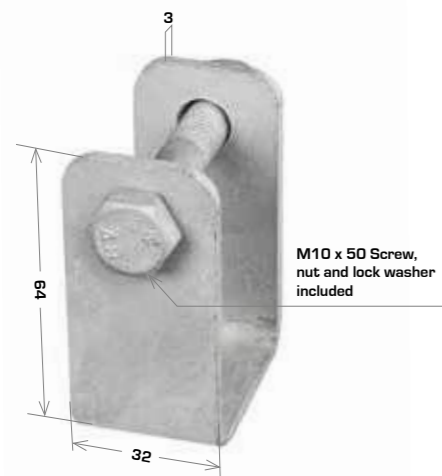






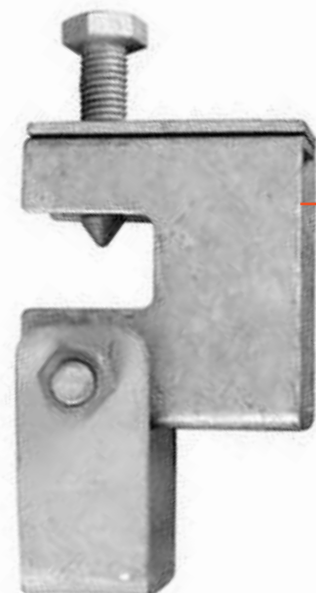
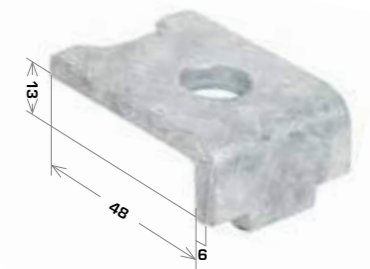
BEAM CLAMP			
PART NO.	DESCRIPTION	PACK QTY	FINISH
FDG2676G	67 x 73	1	Galv

BEAM CLAMPS - ADJUSTABLE		
PART NO.	DESCRIPTION	PACK QTY
FDG2785G	40 x 40 x 86	10
FDG2786G	40 x 40 x 100	10



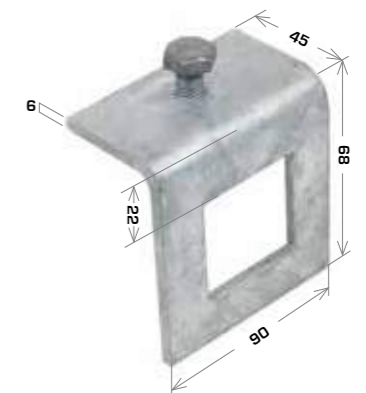
HANGER			
PART NO.	DESCRIPTION	PACK QTY	FINISH
FDG2683G	90 x 105	1	Galv

BEAM CLAMPS - LOCKING		
PART NO.	DESCRIPTION	PACK QTY
FDG1386G	40 x 55	20



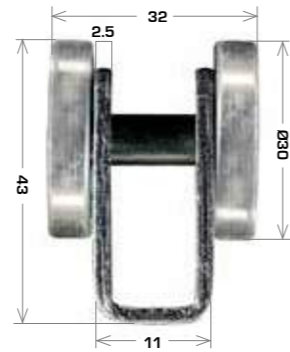
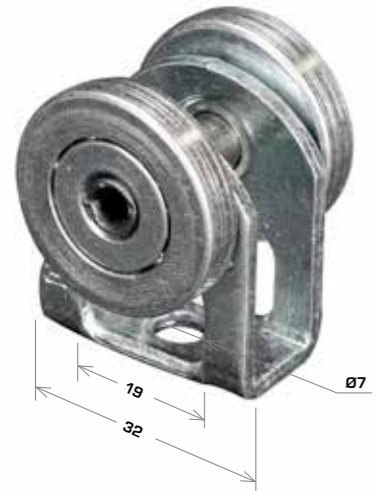
The Combination of **BEAM CLAMP** and **HANGER**.

BEAM CLAMPS - WINDOW BRACKET		
PART NO.	DESCRIPTION	PACK QTY
FDG1796G	Window Bracket	20

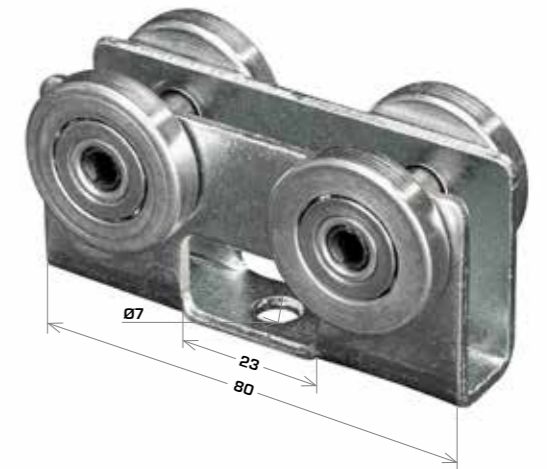
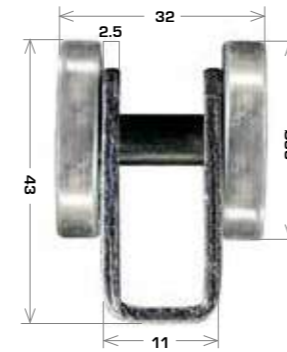




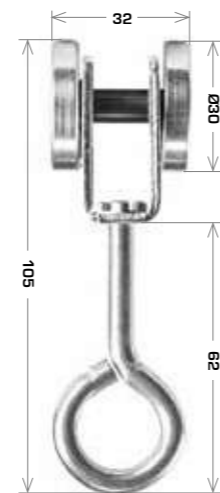
TROLLEY ASSEMBLY			
PART NO.	DESCRIPTION	PACK QTY	FINISH
FDG2749G	32 x 43	1	Galv



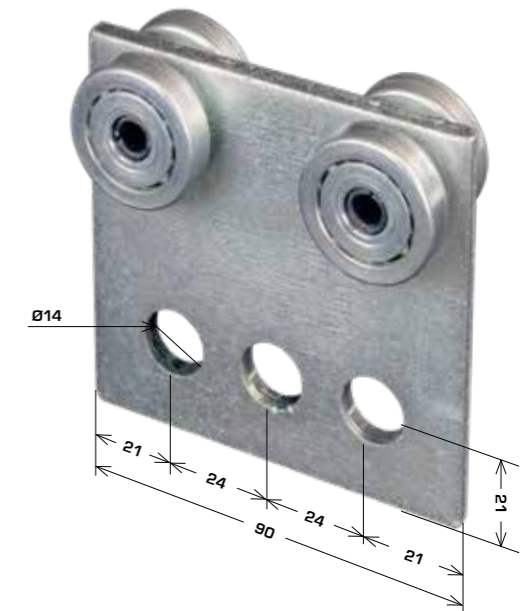
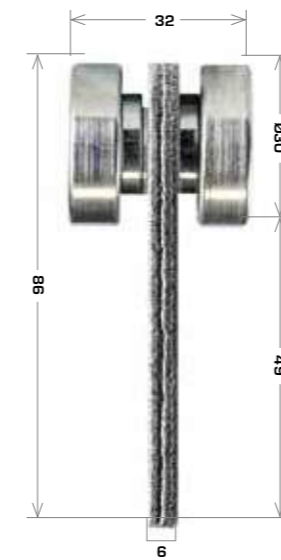
TROLLEY ASSEMBLY			
PART NO.	DESCRIPTION	PACK QTY	FINISH
FDG2750G	32 x 43	1	Galv

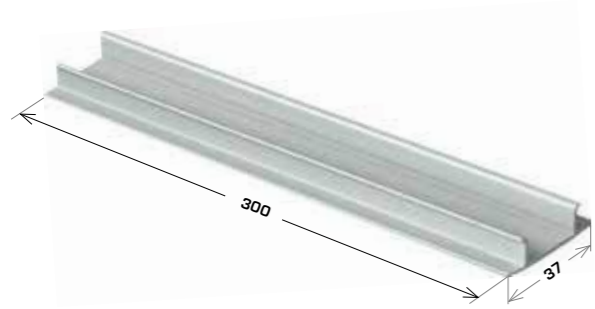


TROLLEY ASSEMBLY			
PART NO.	DESCRIPTION	PACK QTY	FINISH
FDG2751G	32 x 105	1	Galv

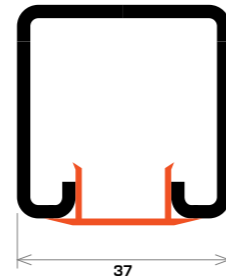


TROLLEY ASSEMBLY			
PART NO.	DESCRIPTION	PACK QTY	FINISH
FDG2950G	32 x 98	1	Galv





STRUT COVER			
PART NO.	TYPE	LENGTH	PACK QTY
53SC41X3	Plastic	3 Metre	10



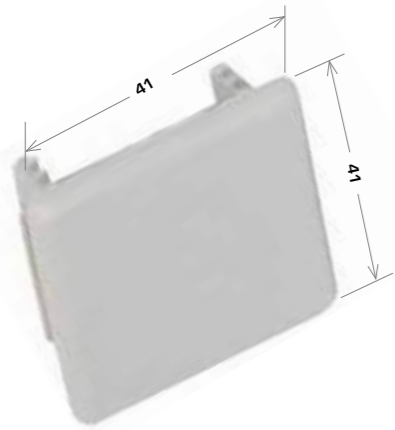
### VERTICAL HANGER - SDM

PART NO.	DESCRIPTION	PACK QTY	FINISH
MVSDMM10	1/4" X 25	100	Zinc



### STRUT END CAP

PART NO.	TYPE	PACK QTY
53SE41X41	Plastic	10



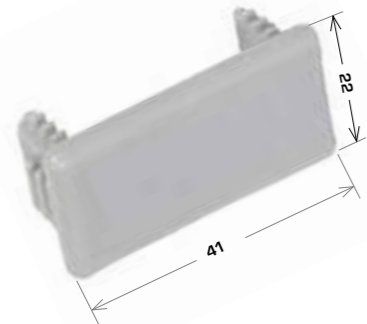
### VERTICAL HANGER - CONCRETE

PART NO.	DESCRIPTION	PACK QTY	FINISH
MVCM10	M6	100	Galv



### STRUT END CAP

PART NO.	TYPE	PACK QTY
53SS241X21	Plastic	10



### VERTICAL HANGER - WOOD

PART NO.	DESCRIPTION	PACK QTY	FINISH
MVT17M10-50	14g X 50	100	Zinc







VERTICAL HANGER - WOOD			
PART NO.	DESCRIPTION	PACK QTY	FINISH
MVT17M10-25	14g X 25	100	Zinc



SIDE HANGER - WOOD			
PART NO.	DESCRIPTION	PACK QTY	FINISH
MVT17SM10	14g X 50	100	Zinc

CABLE TRAY			
PART NO.	DESCRIPTION	PACK QTY	FINISH
53CT150X50X3.0PG	150 X 50 X 3000	1	Galv
53CT300X50X3.0PG	300 X 50 X 3000	1	Galv
53CT450X50X3.0PG	450 X 50 X 3000	1	Galv



### CABLE TRAY CORNER BRACKET

PART NO.	DESCRIPTION	PACK QTY	FINISH
53CTCBG	60 X 150	1	Galv





**RADIUS PLATE (BENDS) - ADJUSTABLE**

PART NO.	DESCRIPTION	PACK QTY	FINISH
53CTRB	50 X 3000	1	Galv



**CABLE TRAY SPLICE PLATE**

PART NO.	DESCRIPTION	PACK QTY	FINISH
53CTSPPG	45 X 180	1	Galv



**SPLICE BOLT M10 Z/P**

PART NO.	DESCRIPTION	PACK QTY	FINISH
53CTSB10Z	M10	1	Galv

**SPLICE FLANGE NUT M10 Z/P**

PART NO.	DESCRIPTION	PACK QTY	FINISH
53CTM10FSZ	M10	1	Galv



**T BRACKET - COMPLETE**

PART NO.	DESCRIPTION	PACK QTY	FINISH
53CTTB	50 X 160	1	Galv





HIGH STACK CAST IN COLLAR		
PART NO.	TO SUIT	PACK QTY
53-H50S	40-50PVC	24
53-H65S	40-65PVC	18
53-H100S	65-100PVC	12
53-H150S	150PVC	6

### LOW FLOOR WASTE CAST IN COLLAR

PART NO.	TO SUIT	PACK QTY
53-L80FWS	80PVC	24
53-L100FWS	100PVC	20



LOW STACK CAST IN COLLAR		
PART NO.	TO SUIT	PACK QTY
53-L50S	40-50PVC	75
53-L65S	40-65PVC	24
53-L100S	100PVC	20

### CAST IN SHELL

PART NO.	TO SUIT	PACK QTY
53-SH50	50	140
53-SH100	100	63
53-SH150	150	28



HIGH FLOOR WASTE CAST IN COLLAR		
PART NO.	TO SUIT	PACK QTY
53-H50FWS	40-50PVC	24
53-H100FWS	65-100PVC	12
53-H150FWS	150PVC	6

### RETROFIT COLLAR

PART NO.	TO SUIT	PACK QTY
53-32R	16,20,25,32PEX/ 20,25 CONDUIT	50
53-50R	40PVC (w/socket), 50PVC/40,50,56HDPE	40
53-63R	50PVC (w/socket), 65PVC/50,56,63HDPE	36
53-65-80R	65,80PVC (w/socket), /63,75HDPE	18
53-110R	100PVC/110HDPE	20
53-150R	150 PVC	20







FLOOR WASTE RETROFIT COLLAR		
PART NO.	SIZE	PACK QTY
53-LP50R	40,50PVC (w/socket) /50HDPE	15
53-LP65R	65 PVC (w/socket)	12
53-LP80R	80PVC	12
53-LP100R	100PVC (w/socket)	20
53-LP100R-B	100PVC (w/socket)	18
53-LP100R-D	110HDPE	18
53-HP150R	150PVC (w/socket) /125,160HDPE	12

# FOIL FLEX II

**Premium performance thermal pipe insulation** with a very high vapour diffusion resistance. Completely closed cell, physically crosslinked polyolefin foam with a density of 25 kg/m<sup>3</sup>, faced with heat laminated pure aluminium foil with reinforcement for steel, plastic and copper pipes. Pre-slit for faster installation.



VELPEX GAS FIRE COLLAR		
PART NO.	SIZE	PACK QTY
53-GAS32	16-32	20
53-GAS50	40-50	5
53-GAS63	63	1

TALK TO US REGARDING YOUR **FIRE COLLAR** REQUIREMENTS

GIVE OUR FRIENDLY TEAM A CALL  
**0800 555 464**



FOILFLEX LAGGING - 25MM					FOILFLEX LAGGING - 38MM				
PART NO	LENGTH	TO SUIT	THICKNESS	Pack	PART NO	LENGTH	TO SUIT	THICKNESS	Pack
55FFLEX1525	2000	15CU	25	40	55FFLEX2038	2000	20CU	38	20
55FFLEX1625	2000	16PEX	25	38	55FFLEX2538	2000	25CU	38	20
55FFLEX2025	2000	20CU	25	35	55FFLEX3238	2000	32CU	38	15
55FFLEX2525	2000	25CU	25	30	55FFLEX4038	2000	40CU	38	15
55FFLEX3225	2000	32CU	25	28	55FFLEX5038	2000	50CU	38	12
55FFLEX4025	2000	40CU	25	25	55FFLEX6538	2000	65CU	38	10
55FFLEX5025	2000	50CU	25	17	55FFLEX8038	2000	80CU	38	8
55FFLEX6525	2000	65CU	25	14	55FFLEX10038	2000	100CU	38	5
55FFLEX8025	2000	80CU	25	10	55FFLEX12538	2000	125CU	38	5
55FFLEX10025	2000	100CU	25	9	55FFLEX15038	2000	150CU	38	4
55FFLEX12525	2000	125CU	25	8					
55FFLEX15025	2000	150CU	25	5					



# MODFRAME

<u>Profile</u>	<u>238-239</u>
<u>Console</u>	<u>240</u>
<u>Couplers</u>	<u>241</u>
<u>Bolts</u>	<u>242</u>
<u>Base Plates</u>	<u>243-244</u>
<u>Brackets &amp; Joining Plates</u>	<u>245-257</u>






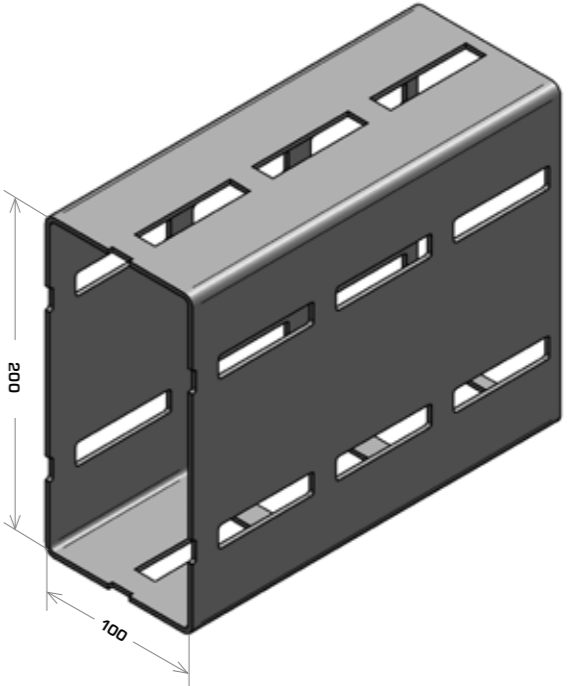
**MOD 80 PROFILE**

PART NO.	SIZE	PACK QTY	FINISH
MOD80HDG	80 x 80 x 6	1	Galv





**MOD 200 PROFILE**

PART NO.	SIZE	PACK QTY	FINISH
MOD200HDG	200 x 100 x 6	1	Galv


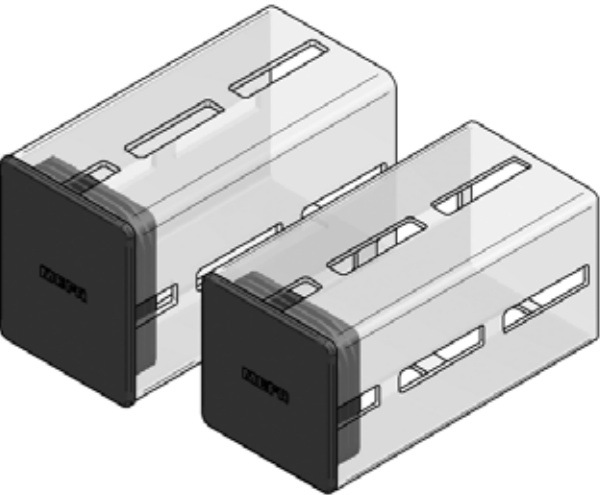
**MOD 100 PROFILE**

PART NO.	SIZE	PACK QTY	FINISH
MOD100HDG	100 x 100 x 6	1	Galv

**PROTECTING CAP**

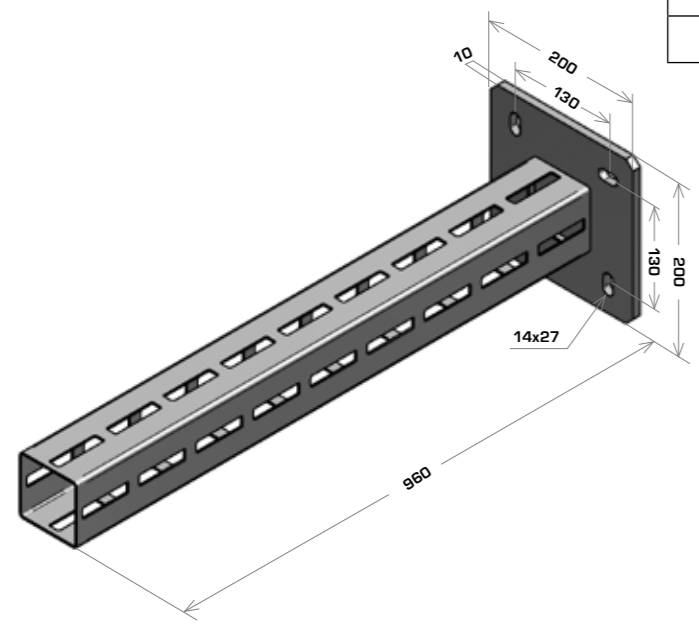
PART NO.	SIZE	PACK QTY	FINISH
MOD80CAP	80 x 80	1	Galv
MOD100CAP	100 x 100	1	Galv

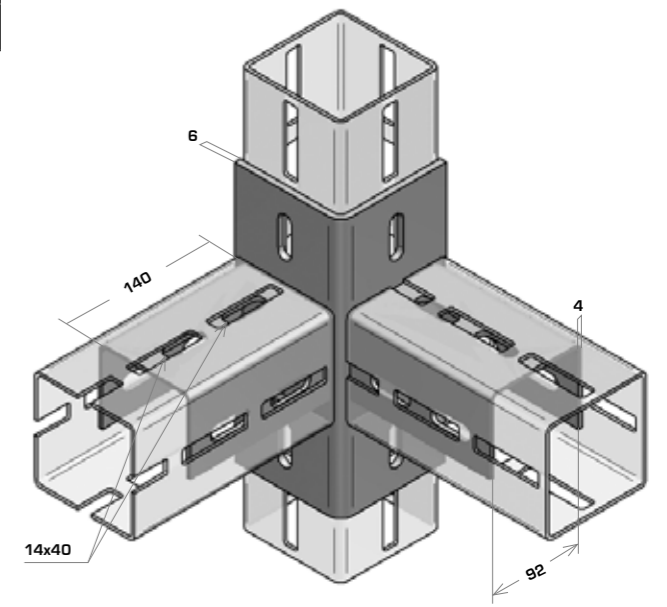




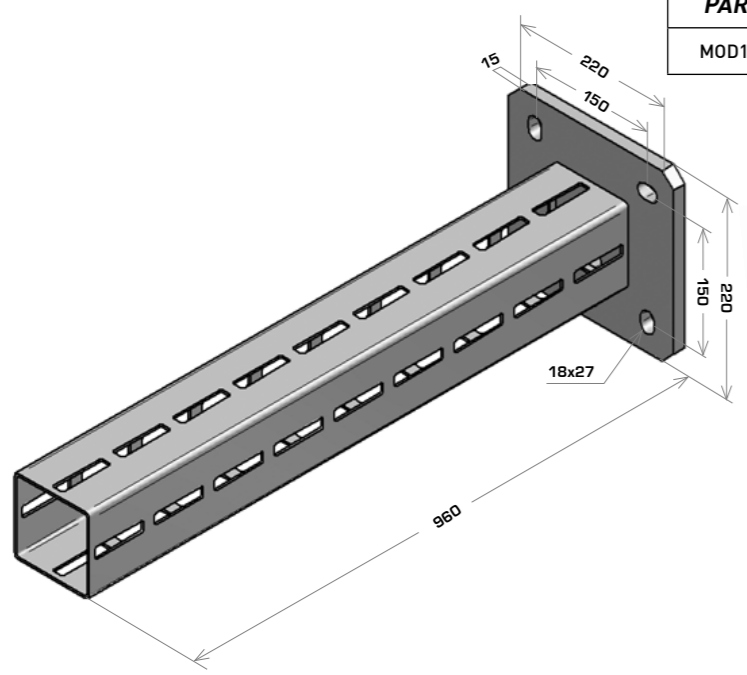
MOD 80 CONSOLE			
PART NO.	SIZE	PACK QTY	FINISH
MOD80C960	80 x 80 x 960	1	Galv



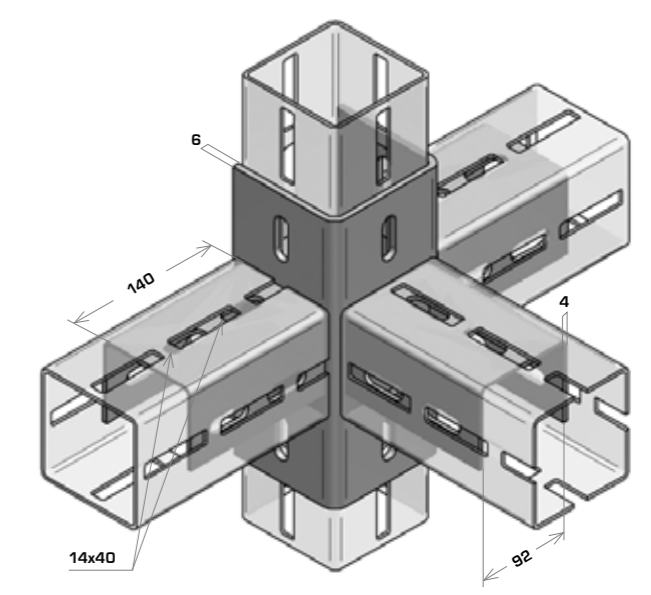
MOD 100 ANGLE COUPLER 90°			
PART NO.	SIZE	PACK QTY	FINISH
MOD100AC90	260 x 260	1	Galv



MOD 100 CONSOLE			
PART NO.	SIZE	PACK QTY	FINISH
MOD100C960	100 x 100 x 960	1	Galv



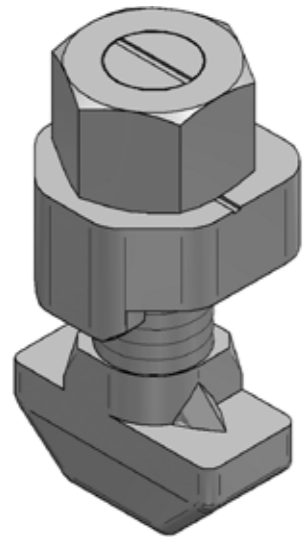
MOD 100 ANGLE COUPLER 180°			
PART NO.	SIZE	PACK QTY	FINISH
MOD100AC180	260 x 390	1	Galv





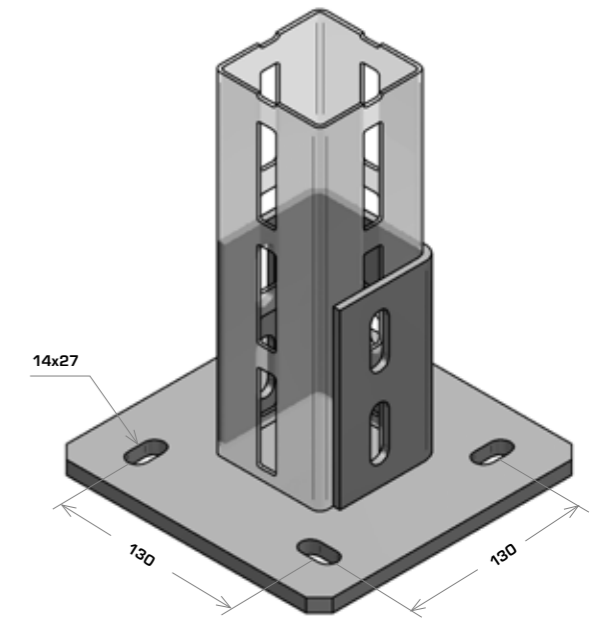
T-LOCK HEAD M12 X 40 TOOTHED

PART NO.	SIZE	PACK QTY	FINISH
MODTB/S	12 x 40	1	Galv



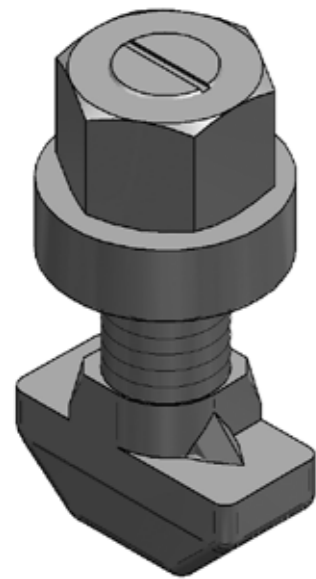
MOD 80 BASE PLATE

PART NO.	SIZE	PACK QTY	FINISH
MOD80BP	200 x 200 x 10	1	Galv



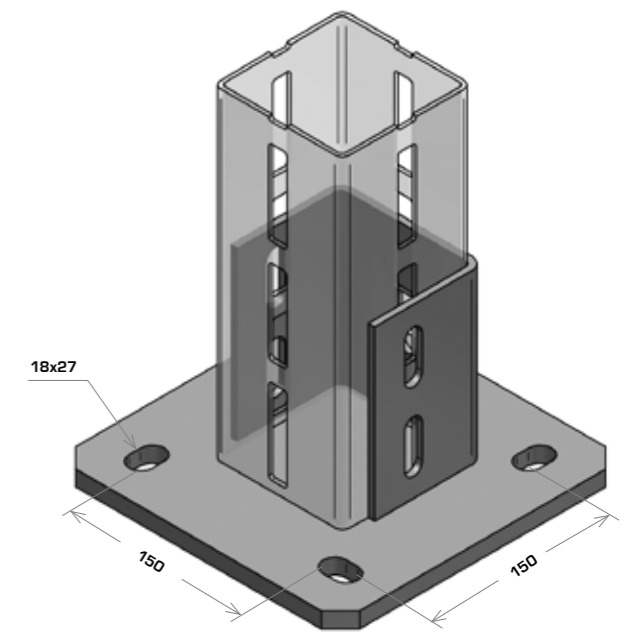
T-BOLT M12 X 40

PART NO.	SIZE	PACK QTY	FINISH
MODTB/W	12 x 40	1	Galv



MOD 100 BASE PLATE

PART NO.	SIZE	PACK QTY	FINISH
MOD100BP	250 x 250 x 10	1	Galv





**MOD 200 HOLDER**

PART NO.	SIZE	PACK QTY	FINISH
MOD200BP	286 x 110 x 10	1	Galv

**MOD 100 JOINT HOLDER HORIZONTAL**

PART NO.	SIZE	PACK QTY	FINISH
MOD100HHB	320 x 160 x 10	1	Galv

**MOD 100 JOINT HOLDER VERTICAL**

PART NO.	SIZE	PACK QTY	FINISH
MOD100VHB	260 x 160 x 10	1	Galv

**MOD 100 ANGLE-SHOE**

PART NO.	SIZE	PACK QTY	FINISH
MOD100AS	230 x 140 x 6	1	Galv

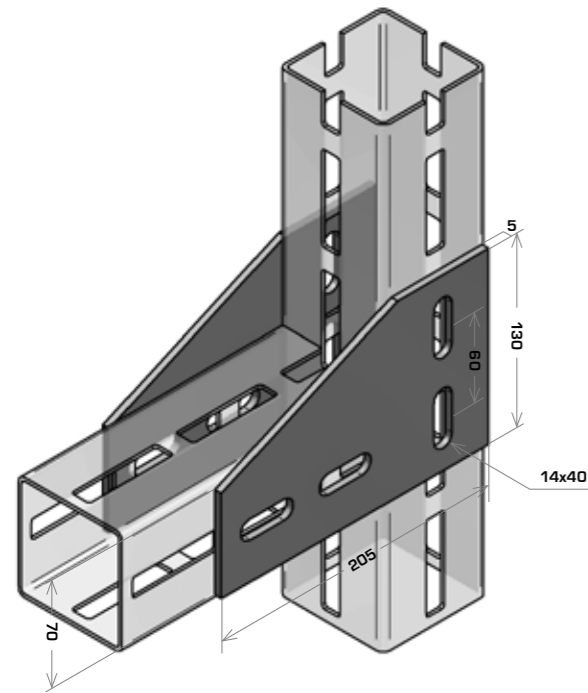




MOD 80 CORNER PLATE

PART NO.	SIZE	PACK QTY	FINISH
MOD80CP	130 x 205 x 5	1	Galv

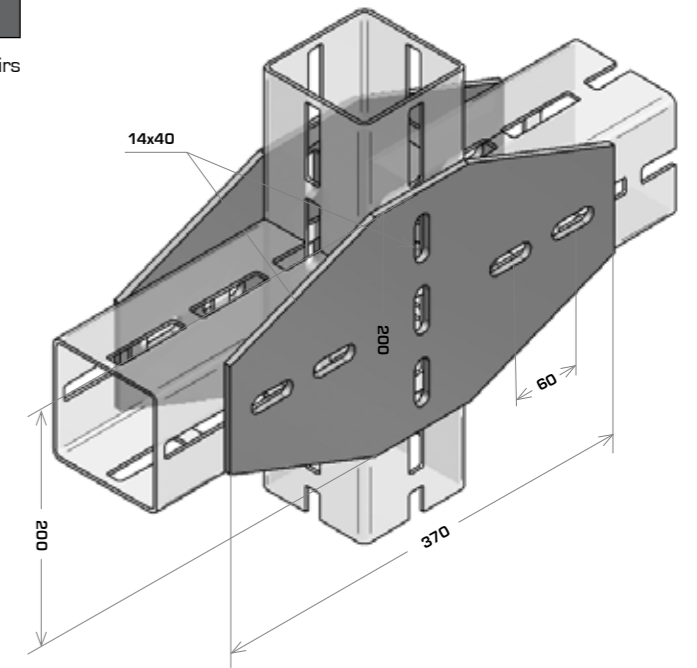
\*Sold in Pairs



MOD 100 CROSS PLATE

PART NO.	SIZE	PACK QTY	FINISH
MOD100XP	370 x 200 x 6	1	Galv

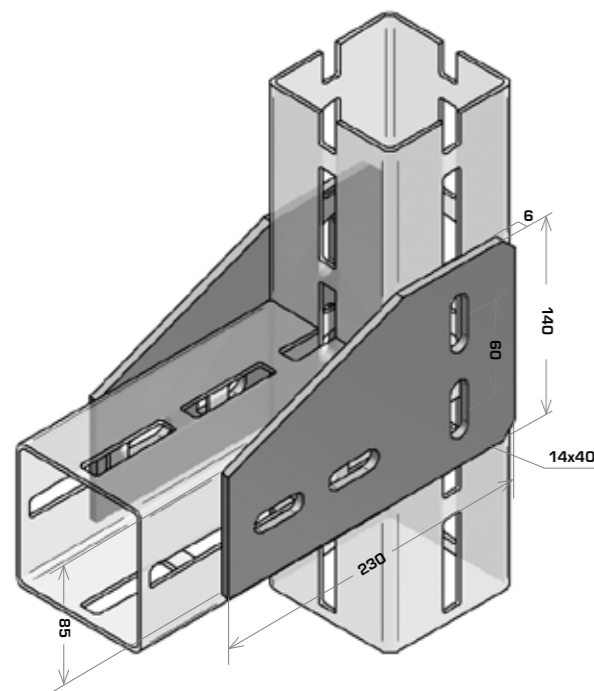
\*Sold in Pairs



MOD 100 CORNER PLATE L

PART NO.	SIZE	PACK QTY	FINISH
MOD100CP	140 x 230 x 6	1	Galv

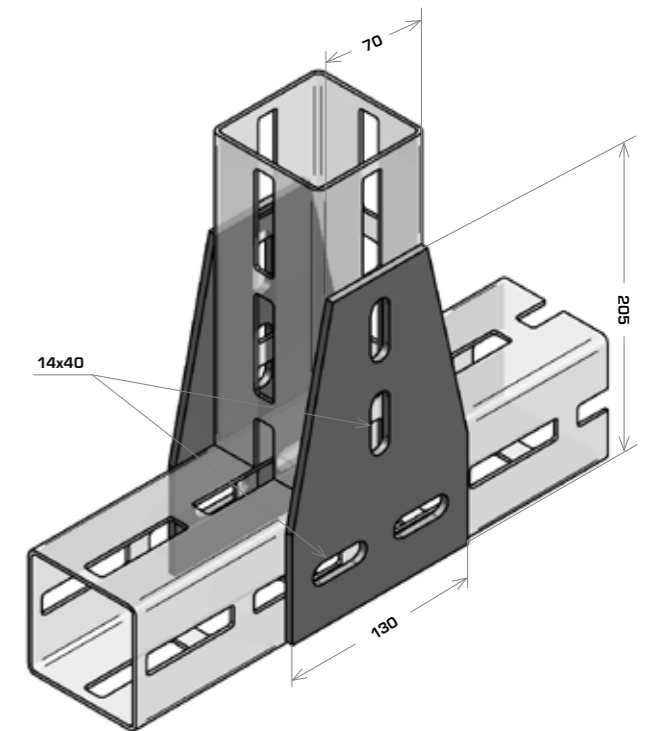
\*Sold in Pairs



MOD 80 T-PLATE

PART NO.	SIZE	PACK QTY	FINISH
MOD80TP	205 x 130 x 6	1	Galv

\*Sold in Pairs

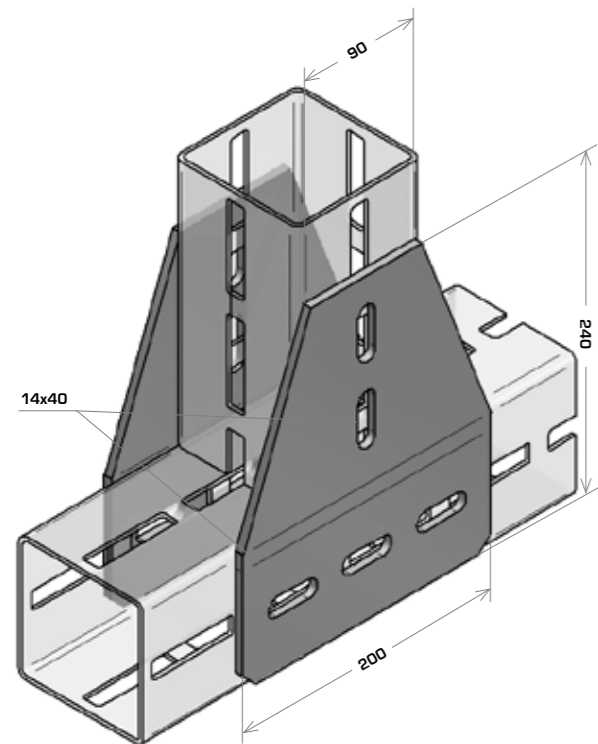




T-PLATE

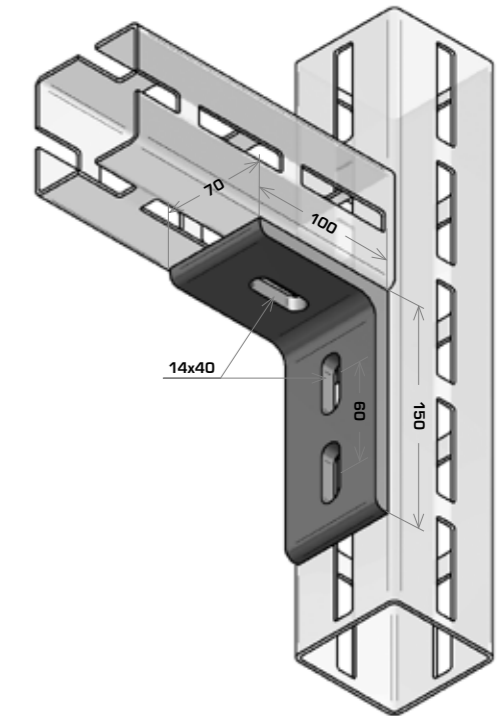
PART NO.	SIZE	PACK QTY	FINISH
MOD100TP	200 x 240 x 6	1	Galv

\*Sold in Pairs



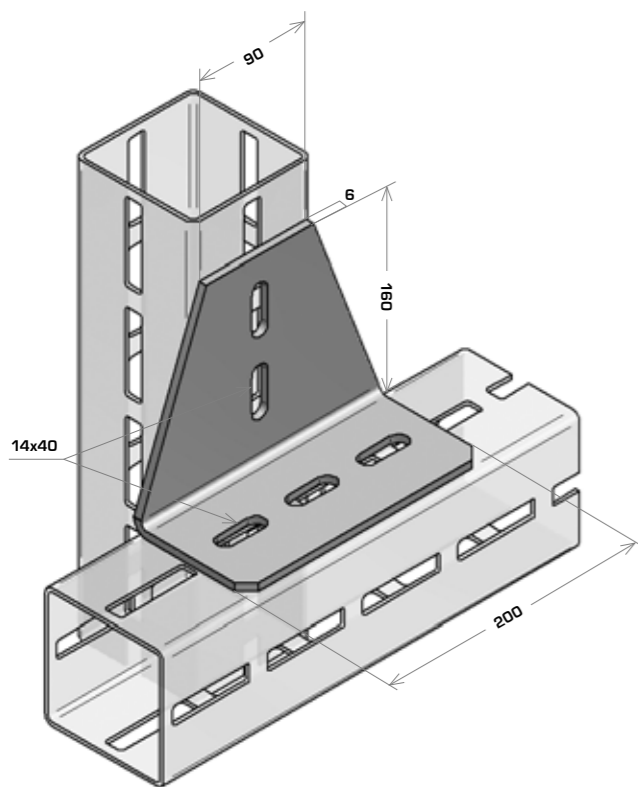
MOD 80, 3-HOLE ANGLE

PART NO.	SIZE	PACK QTY	FINISH
MOD80AB3H	150 x 100 x 10	1	Galv



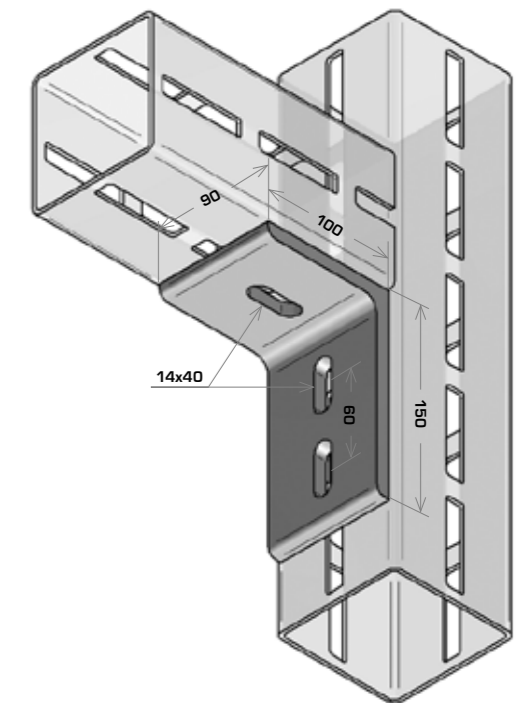
T-PLATE, ANGLED

PART NO.	SIZE	PACK QTY	FINISH
MOD100ATP	200 x 160	1	Galv



MOD 100, 3-HOLE ANGLE

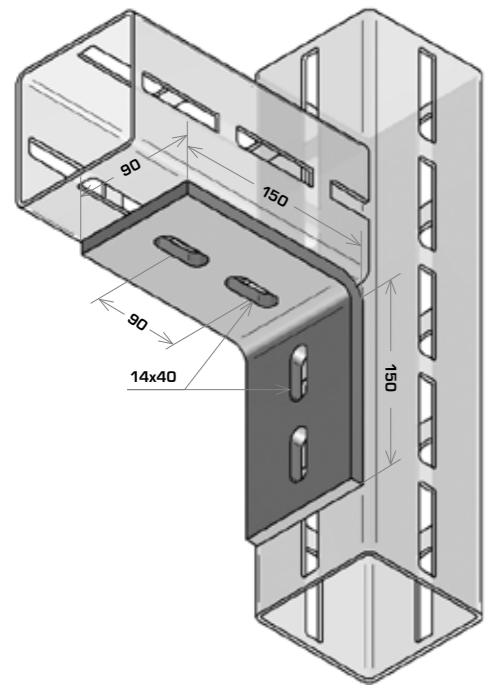
PART NO.	SIZE	PACK QTY	FINISH
MOD100AB3H	100 x 150 x 10	1	Galv





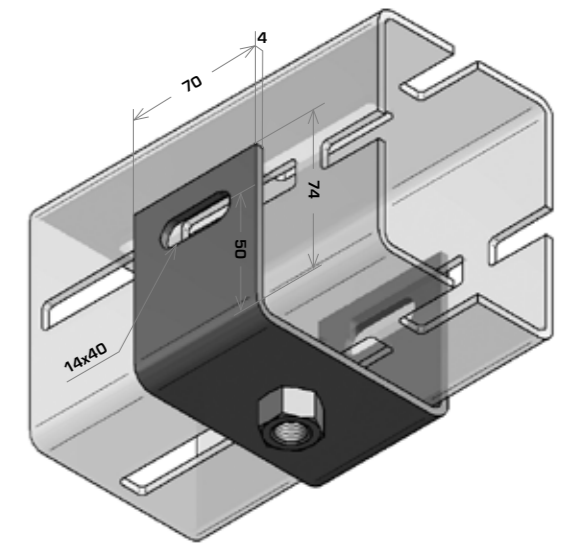
MOD 100, 4-HOLE ANGLE

PART NO.	SIZE	PACK QTY	FINISH
MOD100AB4H	150 x 150 x 10	1	Galv



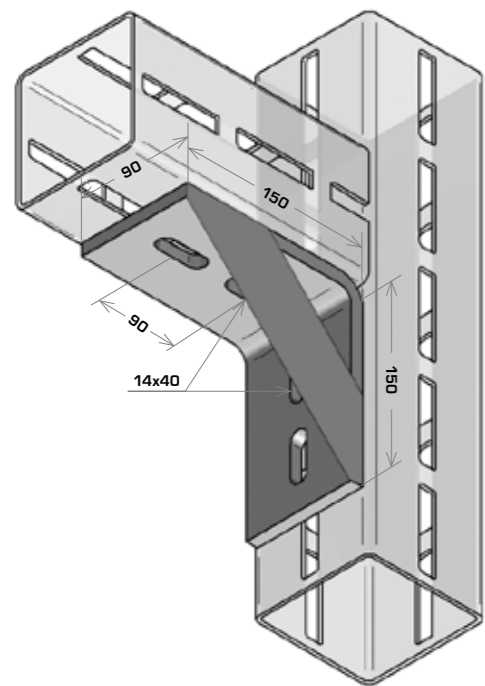
THREAD CONNECTOR

PART NO.	SIZE	PACK QTY	FINISH
MOD100TC12	70 x 100 x 6	1	Galv
MOD100TC16	70 x 100 x 6	1	Galv



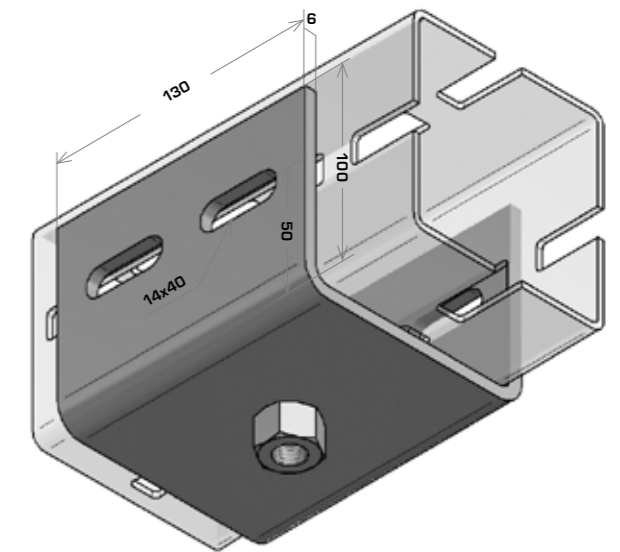
4-HOLE ANGLE WITH BRACE

PART NO.	SIZE	PACK QTY	FINISH
MOD100AB4HB	150 x 150 x 10	1	Galv
MOD180AB4HB	150 x 150 x 10	1	Galv



MASSIVE CONNECTOR

PART NO.	SIZE	PACK QTY	FINISH
MOD100MTC16	130 x 100 x 6	1	Galv



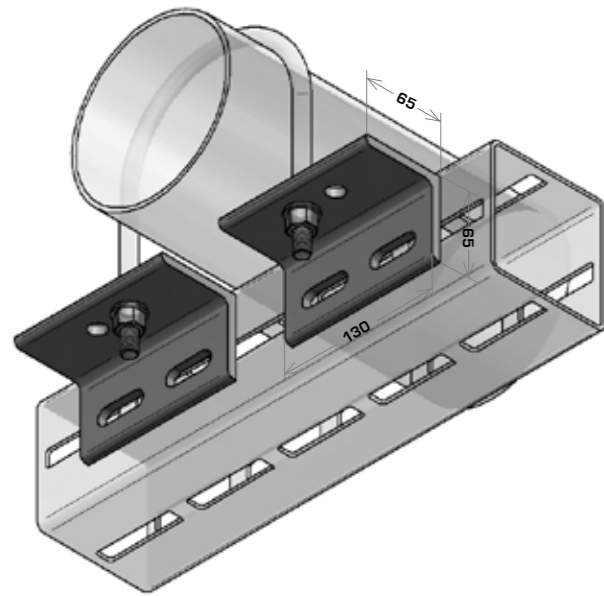




PIPE HOLDER

PART NO.	SIZE	PACK QTY	FINISH
MODPH65X65	130 x 65	1	Galv

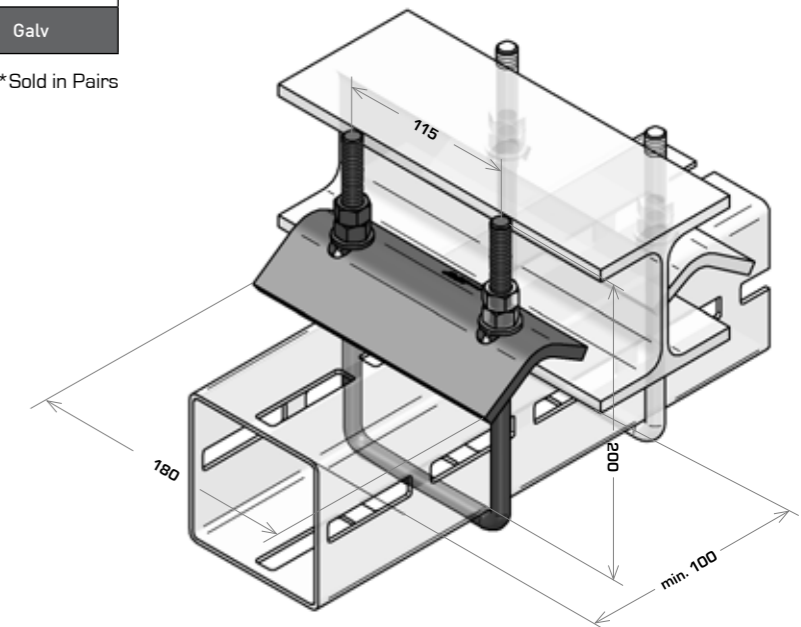
\*Sold in Pairs



CLAMPING BOW

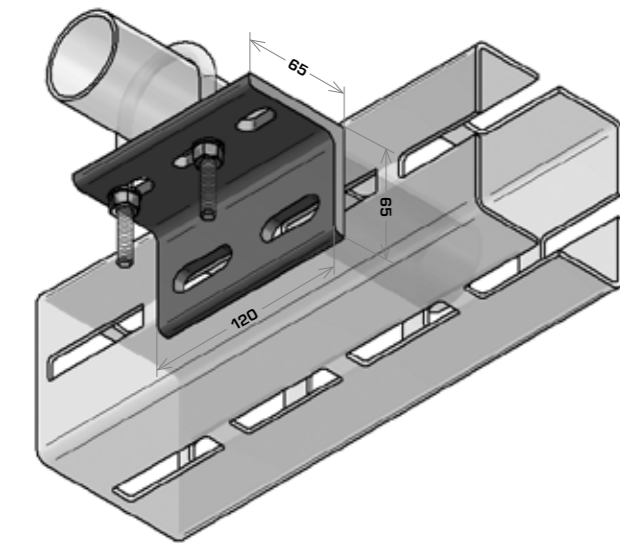
PART NO.	SIZE	PACK QTY	FINISH
MOD100CB	100 x 150	1	Galv

\*Sold in Pairs



PIPE HOLDER

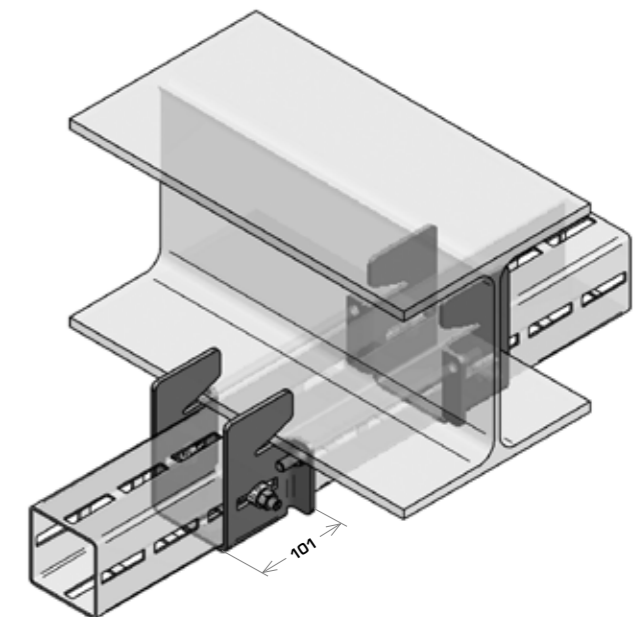
PART NO.	SIZE	PACK QTY	FINISH
MODPH65X120	120 x 65	1	Galv



CLAMPING SHOE

PART NO.	SIZE	PACK QTY	FINISH
MOC100CS	101 x 100	1	Galv

\*Sold in Pairs





**CONNECTOR SET**

PART NO.	SIZE	PACK QTY	FINISH
MOD100CS	380 x 100	1	Galv

**BASE PLATE M16**

PART NO.	SIZE	PACK QTY	FINISH
MOD100BP-16	200 x 80	1	Galv

**C-PROFILE CONNECTOR**

PART NO.	SIZE	PACK QTY	FINISH
MODSC45	12 x 45	1	Galv
MODSC65	12 x 65	1	Galv

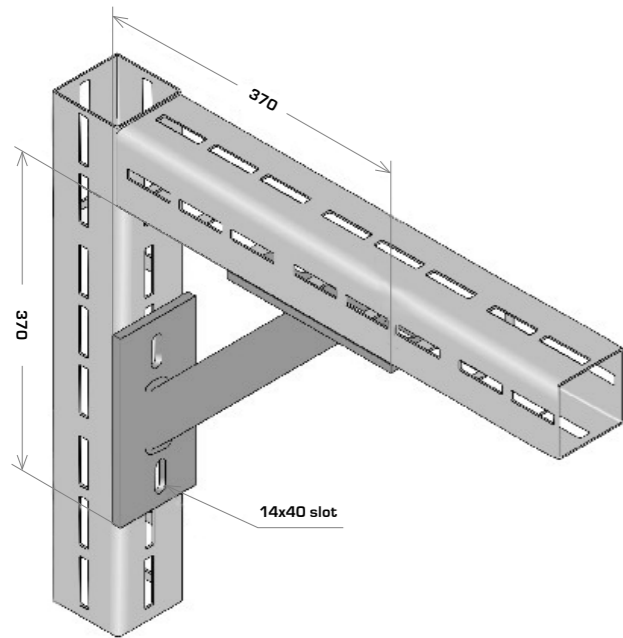
**DIRECT CONNECTOR**

PART NO.	SIZE	PACK QTY	FINISH
MODDC	M12	1	Galv



LARGE ANGLE BRACKET

PART NO.	SIZE	PACK QTY	FINISH
MOD100AB-4	370 x 370	1	Galv



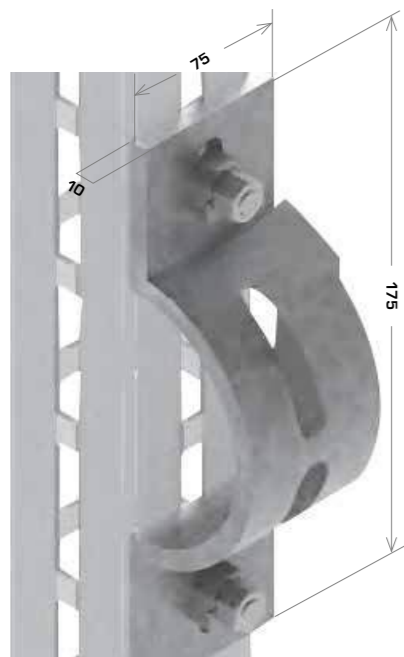
BRACE BRACKET

PART NO.	SIZE	PACK QTY	FINISH
MOD100ABB	150 x 150 x 10	1	Galv



BRACE BRACKET

PART NO.	SIZE	PACK QTY	FINISH
MOD100BB	175 x 75 x 10	1	Galv



LinkedIn 

[/fasteners-direct-global-ltd](https://www.linkedin.com/company/fasteners-direct-global-ltd)

**FOLLOW US**

“Keep up to date with our recent projects, industry news and product offers.”





# PIPE CLAMPS

<u>Saddle Clamps</u>	<u>262-263</u>
<u>Double Bolted Clamps</u>	<u>264</u>
<u>Yoke Clamps</u>	<u>265</u>
<u>Channel Clip</u>	<u>266-267</u>
<u>Rubber Lined Clamps</u>	<u>268-269</u>
<u>Duct Clamps</u>	<u>269</u>
<u>Pipe Markers/Stickers</u>	<u>270-271</u>
<u>Clevis</u>	<u>272</u>
<u>Flange Beam Clamps</u>	<u>272</u>
<u>Rubber Profile</u>	<u>272</u>



# CLAMPS TABLE

ARTICLE NO	THREAD	CLAMPING RANGE	PACKING UNITS	MINZ. TORQUE	F KN
HCPB12-14ZP	M8/M10	12-14	150	80	1.2
HCPB15-19ZP	M8/M10	15-19	150	80	1.2
HCPB21-23ZP	M8/M10	21-23	100	80	1.2
HCPB26-28ZP	M8/M10	26-28	100	80	1.2
HCPB32-35ZP	M8/M10	32-35	100	80	1.2
HCPB38-45ZP	M8/M10	38-45	50	80	1.2
HCPB48-56ZP	M8/M10	48-56	50	80	1.2
HCPB57-61ZP	M8/M10	57-61	50	80	1.2
HCPB63-65ZP	M8/M10	63-70	50	80	1.2
HCPB74-80ZP	M8/M10	74-80	50	80	1.2
HCPB83-91ZP	M8/M10	83-91	50	80	1.2
HCPB100-105ZP	M8/M10	100-105	25	90	1.5
HCPB108-114ZP	M8/M10	108-114	25	90	1.5
HCPB115-125ZP	M8/M10	115-125	25	90	1.5
HCPB159-169ZP	M8/M10	159-169	20	90	1.5
HCPBM10ZP		Base Plate			

ARTICLE NO	PIPE SIZE (mm)						
	COPPER	PVC	PEX	PE	STEEL	CLASS D	S/STEEL
HCPB12-14ZP	15						
HCPB15-19ZP			16				15
HCPB21-23ZP	20		20	20	15	15	22
HCPB26-28ZP	25		25	25	20	20	28
HCPB32-35ZP	32	32	32	32	25	25	35
HCPB38-45ZP	40	40	40	40	32	32	42
HCPB48-56ZP	50	50	50	50	40	40	54
HCPB57-61ZP	65				50	50	
HCPB63-65ZP		65		63			
HCPB74-80ZP	80			75	63	65	76-1
HCPB83-91ZP		80		90	80	80	88-9
HCPB100-105ZP	100						
HCPB108-114ZP		100		110			108
HCPB115-125ZP	125			125	100	100	
HCPB159-169ZP	150	150		160	150	150	
HCPBM10ZP	8-10mm Thread						



# COLOURED ZINC

Heavy-Duty Zinc Rich Anti-Corrosive Coating

CRC Coloured Zinc's unique formulation combines superior rust inhibiting properties of zinc with a tough but flexible enamel coating. Giving a coloured satin finish, it is available in a number of recognised safety colours.



CRC NZ is a leader in specialty chemicals and adhesives for the maintenance and repair professional. Talk to FDG about your CRC supplies.



### ZINC IT

- Does not contain CFCs, methylene chloride
- Long-term corrosion protection
- Excellent weldability
- Easy application



### CLEAR ZINC

- Smooth, clear, high gloss finish
- Highly corrosion resistant
- Flexible sealant
- Impermeable.



### BRIGHT ZINC

- Does not contain CFCs, methylene chloride
- Long-term corrosion protection
- Bright galvanised finish
- Heat Resistance

In addition to the Coloured CRC Corrosion Protection range, FDG also offers a clear coating option, **CLEAR ZINC**, along with **BRIGHT ZINC** and **ZINC IT**. Talk to us, we have all your application needs covered.

0800 555 464

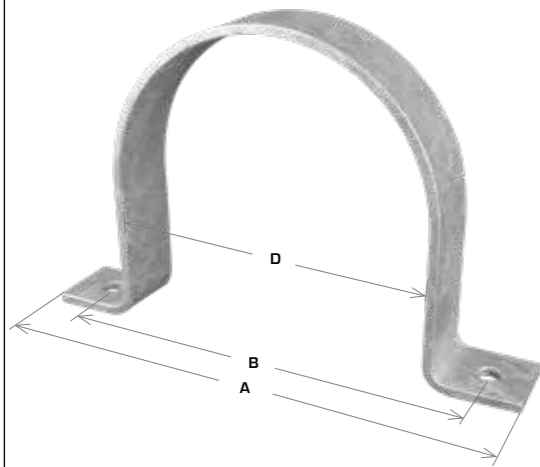
www.fdgz.com



www.fdgz.com | 0800 555 464

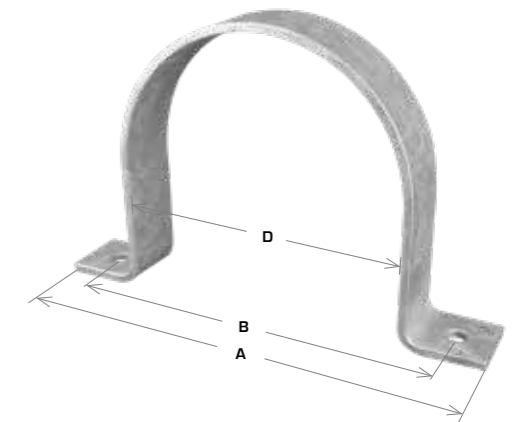






SADDLE CLAMP - MEDIUM						
D	A	B	PIPE DIA	CODE	MATERIAL	CARTON QTY
21	85	61	15NB	FDG125-021	25x3	100
27	91	67	20NB	FDG125-027	25x3	50
34	98	74	25NB	FDG125-034	25x3	50
43	107	83	32NB	FDG125-043	25x3	50
48	112	88	40NB	FDG125-048	25x3	50
60	124	100	50NB	FDG125-060	25x3	50
76	140	116	65NB	FDG125-076	25x3	25
89	153	129	80NB	FDG125-089	25x3	20
115	178	154	100NB	FDG125-115	25x3	25
140	204	180	125NB	FDG125-140	25x3	25
168	280	240	150NB	FDG125-168	40x6	20
220	332	292	200NB	FDG125-220	40x6	1
273	405	345	250NB	FDG125-273	50x6	1
324	484	424	300NB	FDG125-324	50x10	1
355	515	455	350NB	FDG125-355	65x10	1
408	568	508	400NB	FDG125-408	75x10	1
457	607	547	450NB	FDG125-457	75x12	1

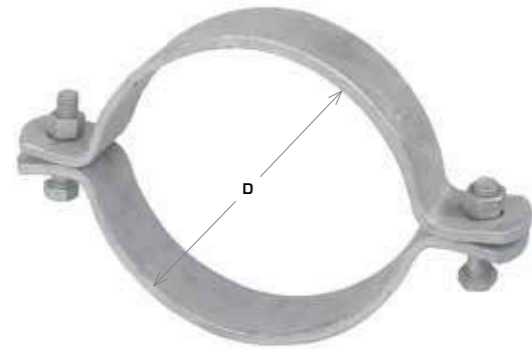
SADDLE CLAMP - HEAVY						
D	A	B	PIPE	CODE	MATERIAL	CARTON QTY
21	115	75	15NB	FDG15-021	40x5	50
25	119	79	25CU	FDG15-025	40x5	25
27	121	81	20NB	FDG15-027	40x5	25
32	126	86	32CU	FDG15-032	40x5	25
34	128	88	25NB	FDG15-034	40x5	25
38	132	92	40CU	FDG15-038	40x5	20
43	137	97	32NB	FDG15-043	40x5	20
48	147	102	40NB	FDG15-048	40x5	20
51	145	105	50CU	FDG15-051	40x5	20
60	154	114	50NB	FDG15-060	40x5	20
64	158	118	65CU	FDG15-064	40x5	10
73	167	127	65NB	FDG15-073	40x5	10
76	170	130	80CU	FDG15-076	40x5	10
89	183	143	80NB	FDG15-089	40x5	5
102	196	156	102CU	FDG15-102	40x5	5
115	210	170	100NB	FDG15-115	40x5	5
127	223	183	127CU	FDG15-127	40x5	5
140	236	196	125NB	FDG15-140	40x5	5



“ THE **RIGHT PRODUCT**,  
 AT THE **RIGHT TIME**,  
 AT A **FAIR PRICE**”

[www.fdgncz.com](http://www.fdgncz.com)





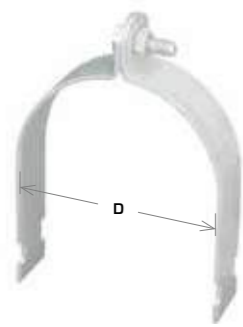
2 PIECE DOUBLE BOLTED CLAMP - HEAVY				
D	PIPE	CODE	MATERIAL	CARTON QTY
76	80CU	FDG16-076	40x6	10
83	83NS	FDG16-083	40x6	10
89	80NB	FDG16-089	40x6	10
102	100CU	FDG16-102	40x6	10
115	100NB	FDG16-115	40x6	10
127	125CU	FDG16-127	40x6	5
140	125NB	FDG16-140	40x6	5
152	150CU	FDG16-152	40x6	5
168	150NB	FDG16-168	40x6	5
178	178NS	FDG16-178	40x6	5
190	190NS	FDG16-190	40x6	5
203	200CU	FDG16-203	40x6	5
220	200NB	FDG16-220	40x6	5
228	228NS	FDG16-228	40x6	5
240	240NS	FDG16-240	40x6	5
252	250CU	FDG16-252	40x6	5
275	250NB	FDG16-275	40x6	5
315	315NS	FDG16-315	40x6	5
324	300NB	FDG16-324	40x6	5

2 PIECE DOUBLE BOLTED YOKE CLAMP - HEAVY				
D	PIPE	CODE	MATERIAL	CARTON QTY
60	50NB	FDG18-060	40x6	100
64	64CU	FDG18-064	40x6	100
73	65NB	FDG18-073	40x6	100
76	80CU	FDG18-076	40x6	100
89	80NB	FDG18-089	40x6	100
102	100CU	FDG18-102	40x6	100
115	100NB	FDG18-115	40x6	5
127	125CU	FDG18-127	40x6	5
140	125NB	FDG18-140	40x6	5
152	152CU	FDG18-152	40x6	5
168	150NB	FDG18-168	40x6	5
175	175NS	FDG18-175	40x6	5
190	190NS	FDG18-190	40x6	5
203	200CU	FDG18-203	40x6	5
220	200NB	FDG18-220	40x6	5
228	228NS	FDG18-228	40x6	5
240	240NS	FDG18-240	40x6	5
252	250CU	FDG18-252	40x6	5
275	250NB	FDG18-275	40x6	5



**CUSTOM SIZES  
OF CLAMPS  
AVAILABLE**

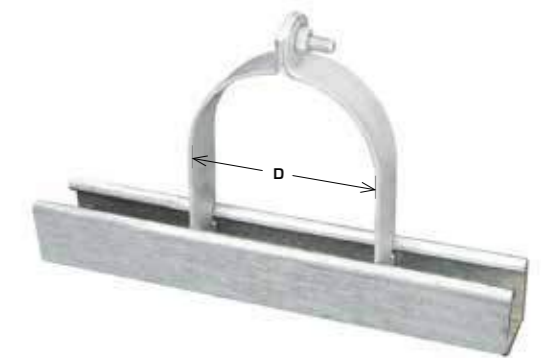




2PC CHANNEL CLIP				
D	PIPE	CODE	MATERIAL	CARTON QTY
8	8CU	FDG132-008-2PCE	32x1.6	100
10	10CU	FDG132-010-2PCE	32x1.6	100
13	15CU	FDG132-013-2PCE	32x1.6	100
17	17CU	FDG132-017-2PCE	32x1.6	100
20	20CU	FDG132-020-2PCE	32x1.6	100
21	15NB	FDG132-021-2PCE	32x1.6	100
25	25CU	FDG132-025-2PCE	32x1.6	100
27	20NB	FDG132-027-2PCE	32x1.6	100
29	29NS	FDG132-029-2PCE	32x2.0	100
32	32UC	FDG132-032-2PCE	32x2.0	100
34	25NB	FDG132-034-2PCE	32x2.0	100
38	40CU	FDG132-038-2PCE	32x2.0	100
43	32NB	FDG132-043-2PCE	32x2.0	100
48	40NB	FDG132-048-2PCE	32x2.0	100
51	50CU	FDG132-051-2PCE	32x2.5	50
54	54NS	FDG132-054-2PCE	32x2.5	50
57	57NS	FDG132-057-2PCE	32x2.5	50
60	50NB	FDG132-060-2PCE	32x2.5	50
64	65CU	FDG132-064-2PCE	32x2.5	50
67	67NS	FDG132-067-2PCE	32x2.5	50
70	70NS	FDG132-070-2PCE	32x2.5	50
73	65NB	FDG132-073-2PCE	32x2.5	50
76	80CU	FDG132-076-2PCE	32x2.5	50
79	79NS	FDG132-079-2PCE	32x2.5	50
83	83NS	FDG132-083-2PCE	32x2.5	50
86	86NS	FDG132-086-2PCE	32x2.5	50
89	80NB	FDG132-089-2PCE	32x2.5	50
95	92NS	FDG132-095-2PCE	32x2.5	50
98	98NS	FDG132-098-2PCE	32x2.5	50
102	102CU	FDG132-102-2PCE	32x2.5	50
105	105NS	FDG132-105-2PCE	32x2.5	50
108	108NS	FDG132-108-2PCE	32x2.5	50
110	110NS	FDG132-110-2PCE	32x2.5	50
115	100NB	FDG132-115-2PCE	32x2.5	50
117	117NS	FDG132-117-2PCE	32x2.5	50



2PC CHANNEL CLIP				
D	PIPE	CODE	MATERIAL	CARTON QTY
121	121NS	FDG132-121-2PCE	32x2.5	50
127	125CU	FDG132-127-2PCE	32x2.5	50
140	125NB	FDG132-140-2PCE	32x2.5	50
146	146NS	FDG132-146-2PCE	32x2.5	50
152	152CU	FDG132-152-2PCE	32x2.5	50
159	159NS	FDG132-159-2PCE	32x2.5	50
165	150NB	FDG132-165-2PCE	32x2.5	50
168	150NB	FDG132-168-2PCE	32x2.5	50
171	171NS	FDG132-171-2PCE	32x2.5	50
178	178NS	FDG132-178-2PCE	32x2.5	50
190	190NS	FDG132-190-2PCE	32x2.5	50
203	200CU	FDG132-203-2PCE	32x2.5	50
220	220NB	FDG132-220-2PCE	32x2.5	50
228	228NS	FDG132-228-2PCE	32x2.5	50
240	240NS	FDG132-240-2PCE	32x2.5	50
252	252CU	FDG132-252-2PCE	32x2.5	50
268	265NS	FDG132-268-2PCE	32x2.5	50
275	250NB	FDG132-275-2PCE	32x2.5	50
302	300CU	FDG132-302-2PCE	32x2.5	50
315	315NS	FDG132-315-2PCE	32x2.5	50
324	300NB	FDG132-324-2PCE	32x2.5	50



CLAMP INSULATE RUBBER		
PART NO.	SIZE	PACK QTY
FDG 2600B	40 x 3m	20m





COFIX CLAMP ZINC PLATE	
RANGE	CODE
12-14mm	HCPB12-14ZP
15-19mm	HCPB15-19ZP
21-23mm	HCPB21-23ZP
26-28mm	HCPB26-28ZP
32-35mm	HCPB32-35ZP
38-45mm	HCPB38-45ZP
38-45mm	HCPB40-43ZP
48-56mm	HCPB48-56ZP
57-61mm	HCPB57-61ZP
63-70mm	HCPB63-70ZP
74-80mm	HCPB74-80ZP
83-91mm	HCPB83-91ZP
100-105mm	HCPB100-105ZP
108-114mm	HCPB108-114ZP
115-125mm	HCPB115-125ZP
131-141mm	HCPB131-141ZP
140-146mm	HCPB140-146ZP
159-169mm	HCPB159-169ZP

COFIX CLAMP DECROMAT	
RANGE	CODE
12-14mm	HCPB12-14D
15-19mm	HCPB15-19D
21-23mm	HCPB21-23D
26-28mm	HCPB26-28D
32-35mm	HCPB32-35D
38-45mm	HCPB38-45D
48-56mm	HCPB48-56D
57-61mm	HCPB57-61D
63-65mm	HCPB63-65D
74-80mm	HCPB74-80D
83-91mm	HCPB83-91D
100-105mm	HCPB100-105D
108-114mm	HCPB108-114D
115-125mm	HCPB115-125D
135-140mm	HCPB135-140D
140-146mm	HCPB140-146D
159-169mm	HCPB159-169D
204-210mm	HCPB204-210D



COFIX CLAMP STAINLESS	
RANGE	CODE
15-19mm	HCPB15-19A4
21-23mm	HCPB21-23A4
26-28mm	HCPB26-28A4
32-35mm	HCPB32-35A4
38-45mm	HCPB38-45A4
48-56mm	HCPB48-56A4
74-80mm	HCPB74-80A4
83-91mm	HCPB83-91A4
108-114mm	HCPB108-114A4

SPRIAL DUCT CLAMP	
RANGE	CODE
150mm	HCDB150ZP
200mm	HCDB200ZP
250mm	HCDB250ZP
300mm	HCDB300ZP
350mm	HCDB350ZP
400mm	HCDB400ZP
450mm	HCDB450ZP
500mm	HCDB500ZP
600mm	HCDB600ZP







MEDIUM STICKERS 400MM X 27MM	
CODE	DESCRIPTION
59S-CW27X400	CHILLED WATER
59S-CWF27X400	CHILLED WATER FLOW
59S-CWR27X400	CHILLED WATER RETURN
59S-HHW27X400	HEATING HOT WATER
59S-HHWF27X400	HEATING HOT WATER FLOW
59S-HHWR27X400	HEATING HOT WATER RETURN
59S-CRW27X400	CONDENSOR WATER
59S-CRWF27X400	CONDENSOR WATER FLOW
59S-CRWR27X400	CONDENSOR WATER RETURN
59S-HWR27X400	HOT WATER
59S-HW27X400	HOT WATER FLOW
59S-HWF27X400	HOT WATER RETURN
59S-HWR27X400	COLD WATER
59S-DCW27X400	DOMESTIC COLD WATER
59S-DHW27X400	DOMESTIC HOT WATER
59S-CGW27X400	COOLING WATER
59S-HGR27X400	HEATING WATER
59S-PW27X400	POTABLE WATER
59S-NWP27X400	NON POTABLE WATER
59S-ST27X400	STORM WATER
59S-C27X400	CONDENSATE
59S-D27X400	DRAINS
59S-S27X400	SEWERAGE
59S-TW27X400	TRADE WASTE
59S-V27X400	VENT
59S-G27X400	GREASE
59S-NG27X400	NATURAL GAS
59S-NGK27X400	NATURAL GAS KPA
59S-R27X400	REFRIGERATION
59S-FHR27X400	FIRE HOSE REEL
59S-FHR27X400	FIRE HYDRANT
59S-FS27X400	FIRE SERVICE
59S-FSS27X400	FIRE SPRINKLERS
59S-VM27X400	VACCUM
59S-SM27X400	STEAM
59S-RW27X400	RAIN WATER
59S-FW27X400	FILTERED WATER

LARGE STICKERS 400MM X 50MM	
CODE	DESCRIPTION
59S-CW-50X400	CHILLED WATER
59S-CWF-50X400	CHILLED WATER FLOW
59S-CWR-50X400	CHILLED WATER RETURN
59S-HHW-50X400	HEATING HOT WATER
59S-HHWF-50X400	HEATING HOT WATER FLOW
59S-HHWR-50X400	HEATING HOT WATER RETURN
59S-CRW-50X400	CONDENSOR WATER
59S-CRWF-50X400	CONDENSOR WATER FLOW
59S-CRWR-50X400	CONDENSOR WATER RETURN
59S-HW-50X400	HOT WATER
59S-HWF-50X400	HOT WATER FLOW
59S-HWR-50X400	HOT WATER RETURN
59S-CE-50X400	COLD WATER
59S-DCW-50X400	DOMESTIC COLD WATER
59S-DHW-50X400	DOMESTIC HOT WATER
59S-CGW-50X400	COOLING WATER
59S-HGR-50X400	HEATING WATER
59S-PW-50X400	POTABLE WATER
59S-NPW-50X400	NON POTABLE WATER
59S-SW-50X400	STORM WATER
59S-C-50X400	CONDENSATE
59S-D-50X400	DRAINS
59S-S-50X400	SEWERAGE
59S-TW-50X400	TRADE WASTE
59S-V-50X400	VENT
59S-G-50X400	GREASE
59S-NG-50X400	NATURAL GAS
59S-NGK-50X400	NATURAL GAS KPA
59S-R-50X400	REFRIGERATION
59S-FHR-50X400	FIRE HOSE REEL
59S-FH-50X400	FIRE HYDRANT
59S-FS-50X400	FIRE SERVICE
59S-FSS-50X400	FIRE SPRINKLERS
59S-WM-50X400	VACUUM
59S-SM-50X400	STEAM
59S-RW-50X400	RAIN WATER
59S-FW-50X400	FILTERED WATER





HANGER CLEVIS M12 ROD

CODE	DESCRIPTION	FINISH	PACK
FDG153-M10	M10	Galv	50
FDG153-M12	M12	Galv	50



M8 FLANGE BEAM CLAMP - 3MM

CODE	DESCRIPTION	FINISH	QTY
53BFC	M8	Zinc	100



EPDM RUBBER PROFILE

CODE	DESCRIPTION	FINISH	QTY
53RUB-18	18x1000mm	Black	1M
53RUB-20	20x1000mm	Black	1M
53RUB-25	25x1000mm	Black	1M
53RUB-40	40x1000mm	Black	1M



CRC NZ is a leader in specialty chemicals and adhesives for the maintenance and repair professional. Talk to FDG about your CRC supplies.

# CLEANER RANGE

New Zealand's Best Brake Cleaner.



### BRAKLEEN FAST DRY

The Original Premium Heavy Duty Brake & Parts Cleaner.



### BRAKLEEN BLASTER

The Original Premium Heavy Duty Brake & Parts Cleaner with high pressure spray.



### BRAKLEEN FAST DRY

The Original Premium Heavy Duty Brake & Parts Cleaner.



### BRAKLEEN NF (NON-FLAMMABLE)

The Original Premium Heavy Duty Brake & Parts Cleaner.



### BRAKLEEN NC (NON-FLAMMABLE)

The Original Premium Heavy Duty Brake & Parts Cleaner.

0800 555 464

www.fdgz.com





## TOOLS & ACCESSORIES

<u>Milwaukee</u>	<u>276-289</u>
<u>Euroboor</u>	<u>290-293</u>
<u>Annular Cutters</u>	<u>294-295</u>
<u>Drills</u>	<u>296-302</u>
<u>Hole Saws</u>	<u>303</u>
<u>Concrete Drill Bits</u>	<u>304-308</u>
<u>Driver Bits</u>	<u>310-312</u>
<u>Taps &amp; Dies</u>	<u>313-319</u>
<u>Burrs</u>	<u>320-327</u>
<u>CRC</u>	<u>328-334</u>
<u>Abrasives</u>	<u>335-337</u>





M18 FUEL™ 8 PIECE POWER PACK 8A2	
CODE	DESCRIPTION
M-M18FPP8A2-503B	This 8 piece Power Packs caters for a wide array of applications including drilling, cutting, shaping, sanding, grinding, and more. Best in class POWERSTATE Brushless Motor, REDLITHIUM™ battery technology and exclusive REDLINK™ Intelligence are all included in this pack. Heavy duty, professional power tools, ideal for construction, mechanics, engineers, farmers or anyone wanting quality brushless power tools. All Power Packs include of a set of tools, battery pack and charger.

**M18 FUEL™ 125MM (5") ANGLE GRINDER (TOOL ONLY)**  
M-M18CAG125XPD-0



**M18™ LED WORK LIGHT (TOOL ONLY)**  
M-M18TLED-0



**M18 FUEL™ 1/4" HEX IMPACT DRIVER (TOOL ONLY)**  
M-M18FID2-0



**M18 FUEL™ 13MM HAMMER DRILL/DRIVER (TOOL ONLY)**  
M-M18FPD2-0



**M18™ 5.0AH REDLITHIUM™-ION EXTENDED CAPACITY BATTERY**  
M-M18B5



\* 3 units

**M18™ & M12™ RAPID CHARGER**  
M-M12-18FC



**M18 FUEL™ SAWZALL™ RECIPROCATING SAW (TOOL ONLY)**  
M-M18CSX-0



**M18 FUEL™ 26MM SDS PLUS ROTARY HAMMER (TOOL ONLY)**  
M-M18CH-0



**M18 FUEL™ 165MM CIRCULAR SAW (TOOL ONLY)**  
M-M18CCS55-0





M18 FUEL™ 6 PIECE POWER PACK 6A2	
CODE	DESCRIPTION
M-M18FPP6A2-502B	This 6 piece Power Packs caters for a wide array of applications including drilling, cutting, shaping, sanding, grinding, and more. Best in class POWERSTATE Brushless Motor, REDLITHIUM™ battery technology and exclusive REDLINK™ Intelligence are all included in this pack. Power tools for the professional trade, ideal for mechanics, engineers, farmers or anyone wanting quality brushless power tools. All Power Packs include of a set of tools, battery pack and charger.



**M18™ CORDLESS COMPACT BLOWER (TOOL ONLY)**  
M-M18BBL-0



**M18 FUEL™ 13MM HAMMER DRILL/DRIVER (TOOL ONLY)**  
M-M18FPD2-0



**M18 FUEL™ 1/4" HEX IMPACT DRIVER (TOOL ONLY)**  
M-M18FID2-0



**TICK™ TOOL AND EQUIPMENT TRACKER**  
M-ONET-1



**M18™ & M12™ RAPID CHARGER**  
M-M12-18FC



**M18™ 5.0AH REDLITHIUM™-ION EXTENDED CAPACITY BATTERY**  
M-M18B5

\* 2 units

**M18 FUEL™ 125MM (5") ANGLE GRINDER (TOOL ONLY)**  
M-M18CAG125XPD-0



**M18 FUEL™ HACKZALL™ RECIP SAW (TOOL ONLY)**  
M-M18FHZ-0



**M18 FUEL™ 165MM CIRCULAR SAW (TOOL ONLY)**  
M-M18CCS55-0







**M18™ BRUSHLESS 2 PIECE  
POWER PACK 2A2**  
M-M18BLPP2A2-402C



- Provide Maximum Durability
- REDLINK™ Intelligence
- Discharge Protection
- REDLITHIUM™-ION Battery
- Sequential Charging
- Temperature Management System



- M12™ Rapid Charger
- Delivers 300Nm of Torque
- Lasts longer, with Maximum
- POWERSTATE Brushless Moto
- REDLINK PLUS Electronic Intelligence



**M18 FUEL™ 1/2" IMPACT  
WRENCH W/ FRICTION RING KIT**  
M-M18FIWF12-502C



**M18 FUEL™ 13MM HAMMER DRILL/  
DRIVER W/ ONE-KEY™ (TOOL ONLY)**  
M-M18ONEPD2-0



- Easily Toggle
- REDLITHIUM™-ION Batteries
- ONE-KEY™ Compatible
- POWERSTATE™ Brushless Motor
- Anti-Kickback Technology
- REDLINK™ PLUS Intelligence



- Fuel Gauge on Board
- Easily Toggle
- Best in Class Construction
- ONE-KEY™ Compatible
- REDLINK™ Intelligence
- All Weather Performance



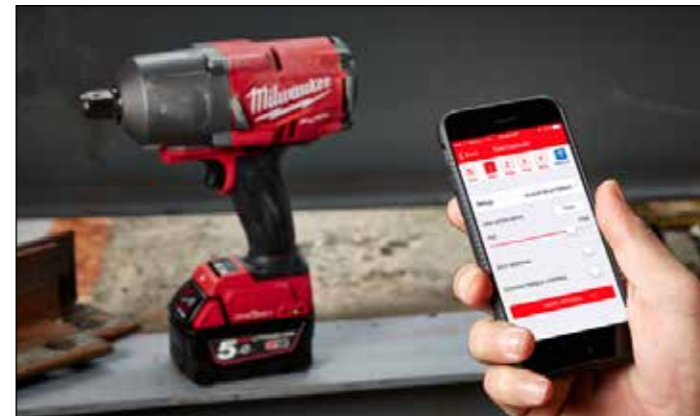
**M18 FUEL™ W/ ONE-KEY™ HIGH  
TORQUE 3/4" IMPACT WRENCH WITH  
FRICTION RING**  
M-M18ONEFIWF34-502C



**M18™ BRUSHLESS 1/4" HEX  
IMPACT DRIVER (TOOL ONLY)**  
M-M18BLID2-0



- Compact Design
- REDLINK™ Intelligence
- Optimised for Efficiency
- REDLITHIUM™-ION Battery
- (Not included) Battery and Charger



- M18™ REDLITHIUM™-ION
- LED Light
- Powerful 2034Nm Torque
- ONE-KEY™ Technology
- Friction Ring with Thru-hole Design
- (Not included) Battery and Charger



**M18 FUEL™ ONE-KEY™ HIGH  
TORQUE IMPACT WRENCH 3/4" W/  
FRICTION RING (TOOL ONLY)**  
M-M18ONEFIWF34-0





**M18 FUEL™ 1" HIGH TORQUE  
IMPACT WRENCH W/ ONE-KEY™**  
M-M18ONEFIWF1-0



- Greater Portability
- ONE-KEY™ Compatible
- LED Light
- Safer Use & Easier Storage
- POWERSTATE™ Brushless Motor
- REDLINK™ PLUS Intelligence



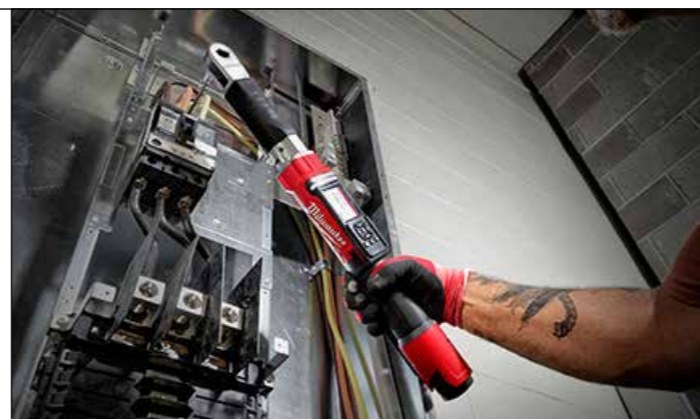
- Delivers Faster than Corded Speed
- REDLINK PLUS Intelligence Preventing Overloading
- REDLITHIUM-ION 5.0Ah Battery Packs



**M18 FUEL™ 28MM SDS PLUS  
ROTARY HAMMER KIT**  
M-M18CHP-502C



**M12 FUEL™ 3/8" DIGITAL  
TORQUE WRENCH W/ ONE-KEY™**  
M-2465-20



- LCD Screen
- 50% Faster Installation
- M12 Battery Compatible
- LED Light Torque Indicator
- ONE-KEY™ Enabled
- Vibratory Torque Indicator



- Low Vibration Value of 10.3m/s<sup>2</sup>
- (Not included) Battery and Charger
- REDLINK™ PLUS Intelligence
- Side Handle
- Integrated LED Light



**M18™ 16MM SDS PLUS ROTARY  
HAMMER (TOOL ONLY)**  
M-M18BH-0



**M18 FUEL™ 26MM SDS PLUS  
ROTARY HAMMER KIT**  
M-M18CH-502C



- 26mm SDS Plus Rotary Hammer, Faster than Corded Speed
- MILWAUKEE POWERSTATE Brushless Motor
- REDLINK™ Intelligence with Over Load Protection



- 3-Mode: Rotary Hammer
- Mechanical Clutch Protects Tool
- Anti-vibration System
- M18™ REDLITHIUM™-ION Battery
- (Not included) Battery and Charger



**M18™ 22MM SDS PLUS ROTARY  
HAMMER (TOOL ONLY)**  
M-HD18H-0





**M18 FUEL™ 125MM (5")  
ANGLE GRINDER KIT**  
M-M18CAG125XPD-502C



- FIXTEC™ System
- Anti-Vibration Side Handle
- 2x REDLITHIUM-ION 5.0Ah Battery Pack Motor
- Cordless Power Tool Electronics
- POWERSTATE Brushless Motor



- 135mm (5-3/8") 30T Ferrous Metal Circular Saw Blade
- MILWAUKEE® POWERSTATE™ Brushless Motor
- Overload Protection and Electronic Clutch



**M18 FUEL™ METAL CUTTING  
CIRCULAR SAW (TOOL ONLY)**  
M-M18FMCS-0



**M18 FUEL™ 125MM (5") RAPID  
STOP™ ANGLE GRINDER WITH DEAD  
MAN PADDLE SWITCH**  
M-M18FSAG125XPDB-0



- RAPID STOP™ Brake
- Dead Man Paddle Switch
- Delivers up to 9000 RPM
- Anti-vibration Side Handle
- POWERSTATE Brushless Motor
- Protection from Overload, Overheating



- Convenient Carrying Case
- M18 FUEL™ Deep Cut Band Saw (Tool Only)
- M18™ 5.0AH REDLITHIUM™-ION Extendend Capacity Battery



**M18 FUEL™ DEEP CUT  
BAND SAW KIT**  
M-M18CBS125-502C



**M18 FUEL™ 1/4" DIE  
GRINDER (TOOL ONLY)**  
M-M18FDG-0



- Longer Battery Life
- Electronic Clutch
- MILWAUKEE® POWERSTATE™ Brushless Motor
- REDLITHIUM-ION 5.0Ah Battery
- Up to 10X Longer Motor Life



- Allows Efficient Repeated Cuts
- Reverse Button for Unintended Cuts
- (Not included) Battery and Charger
- Cutting Die Set (2 dies)
- Burr-free Cuts Ready for Threading



**M18™ BRUSHLESS THREADED  
ROD CUTTER (TOOL ONLY)**  
M-M18BLTRC-0X





**M18™ 5.0AH REDLITHIUM™-ION  
EXTENDED CAPACITY BATTERY**  
M-M18B5



- Powers More Than 150 Milwaukee® M18™ Cordless Power Tools
- Redlink™ Intelligence Ensures Extend Life
- Fuel Gauge Onboard: Displays Remaining Run-time



**M18™ & M12™ RAPID CHARGER**  
M-M12-18FC

- Charges Batteries Up to 40% Faster
- Monitors Cell Voltage, Temp & Charge Status
- Charges all M12™ and M18™ Batteries



**M18™ REDLITHIUM™-ION HIGH  
OUTPUT 6.0AH BATTERY PACK**  
M-M18HB6



- Great Solution for the Entire Range of M18 Products than 9.0Ah
- Provides 50% More Power than 9.0Ah
- (Not included) Charger



**M18™ SIX PACK  
SEQUENTIAL CHARGER**  
M-M1418C6

- Reduce Downtime, Increase Productivity
- Charges Up To Six Batteries Sequentially
- (Not included) Battery



**M18™ REDLITHIUM™-ION HIGH  
OUTPUT 12.0AH BATTERY PACK**  
M-M18HB12



- High Output Battery
- Fuel Gauge Onboard
- (Not included) Charger
- Weighs Only 1.6kg
- Redlink™ Intelligence: Provides Optimised Performance



- M18™ Cordless 310ml Caulk and Adhesive Gun (Tool Only)
- M12™ 2.0ah Redlithium™-ion Compact Battery Pack
- M18™ & M12™ Rapid Charger



**M18™ CORDLESS 600ML SAUSAGE  
STYLE CAULK AND ADHESIVE GUN KIT**  
M-C18PCG600A-201B





**M18 FUEL™ PIPE THREADER  
W/ ONE-KEY™**  
M-2874-20



- Featuring a Multi-speed Selector
- Cordless Pipe Threader Features Autostop™
- Die Head Lock Preventing Die Head Ejection



- Compact HAMMERC™ & Rotary Hammer Combination
- HEPA Filters 99.97% of All Particles > than 0.3 µm
- (Not included) Battery and Charger



**M18™ HAMMERC™ DEDICATED  
DUST EXTRACTOR (TOOL ONLY)**  
M-M18CDEX-0



**M12™ RIVET TOOL (TOOL ONLY)**  
M-M12BPRT-0



- 907kgs Pulling Force
- Ergonomically Design
- Tool Holds Rivet
- Tool Holds Rivet in Any Orientation
- 40mm Nose Length
- 20mm Stroke Length



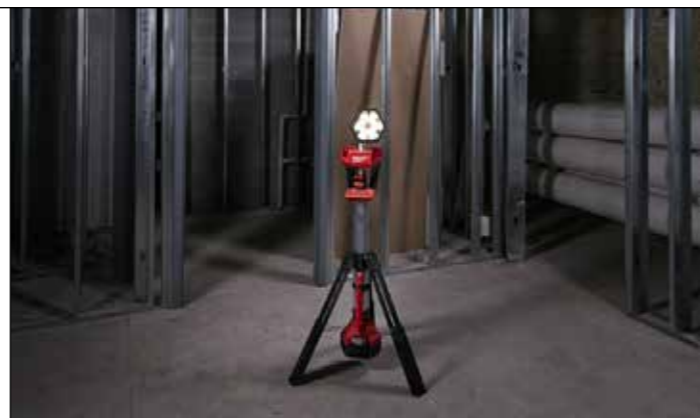
- Universal Inflator/Deflator Attachment
- Lock-on Switch Reduces User Fatigue
- (Not included) Battery and Charger



**M18™ CORDLESS COMPACT  
BLOWER (TOOL ONLY)**  
M-M18BBL-0



**M18™ LED STAND LIGHT  
(TOOL ONLY)**  
M-M18SAL-0



- Sets up in 10 seconds, 2.2m max. Extension
- (Not included) Battery and Charger
- Impact Resistant, Reinforced Legs



- Stream Music on Bluetooth from Over 30m
- IP54 water, dust protected & impact resistant
- Compatible with the M18™ and M12™ Batteries



**M18™/M12™ WIRELESS JOBSITE  
SPEAKER (TOOL ONLY)**  
M-M12-18JSSP-0



**EUROBOOR ECO.30 MAGNETIC BASE DRILL > 30MM**  
ECO.30

Due to its compact size the ECO.30 is the ideal machine to drill holes in small spaces. The ECO.30 measures barely 27.5cm long and weighs only 8.5kg. With its 900W power the ECO.30 cuts holes between 12-30mm easily and quickly.



**EUROBOOR MAGNETIC BASE DRILL - 2 SPEED 40MM**  
ECO.40/2

Our compact Euroboor ECO.40/2 is the perfect magnetic core drilling machine for twist drills up to 13 mm (1/2"). This magnetic core drilling machine has a powerful 1050 W (9.5 A) motor, integrated slide and two-speed gearbox. This portable drilling machine also benefits from integrated tool cooling and lubrication to make your drilling process more efficient.



**EUROBOOR MAGNETIC BASE DRILL > 32MM**  
ECO.32

The ECO.32 has been the best-selling magnetic drilling machine in the recent years. The sufficient basic model has been provided with an eager single speed 1000 W motor. At no more than 12 kg the ECO.32 is the lightest and most compact magnetic drilling machine in the ECO series.



**EUROBOOR MAGNETIC BASE DRILL - 2 SPEED 50MM**  
ECO.50S

The Euroboor ECO.50S magnetic core drilling machine converts maximum power through its two speed oil lubricated gearbox. This improves motor efficiency and lifetime of key components. This portable industrial magnetic core drilling machine has an integrated slide which ensures stable support, faster drilling times and more accurate hole sizing.






**EUROBOOR ECO.36 LOW PROFILE MAG DRILL ECO.36**

The Euroboor ECO.36 magnetic core drilling machine is the lowest drilling machine in the market, measuring only 165 mm (6 1/2") height. This magnetic core drilling machine is perfect for drilling in spaces with limited heights such as H-beams, steel structures, plates, profiles, etc. The portable ECO.36 is equipped with a powerful magnet, user friendly Quick Connect cutter fitment system, and easy release / lock feed handle for both left and right operation.



**EUROBOOR MAGNETIC DRILL - 4 SPEED 80MM ECO.80/4**

Thanks to its four-speed gearbox our portable Euroboor ECO.80/4 magnetic core drilling machine is able to tackle twist drilling tasks just as easily as big diameter annular cutter challenges. This magnetic core drilling machine has a Morse Taper 3 spindle with integrated tool cooling and lubrication for the best drilling performance.



**EUROBOOR MAGNETIC DRILL - VARIABLE SPEED 50MM ECO.50T**

Our ECO.50-T magnetic core drilling machine is suitable for both drilling and tapping. The Euroboor ECO.50-T with Morse Taper 2 spindle is the ideal magnetic drilling machine for maximum power without sacrificing mobility. This drilling machine has a right/left rotating functionality and electronic speed adjustment.



**EUROBOOR MAGNETIC BASE TUBE DRILL > 30MM ECO-TUBE.30**

The Euroboor TUBE.30 with patented shallow-field magnetic technology, is suitable for both flat and pipe material and offers incredibly strong grip, even on steel as thin as 3 mm (1/8"). This magnetic core drilling machine automatically pivots to conform to any pipe of 75 mm (2 15/16") or larger. The magnet does not require electricity, so all the power goes to the motor. This offers increased safety as the drilling machine will not release from the target material in the event of an unintentional power loss.





ANNULAR CUTTER			
Ø	ANNULAR CUTTER	Ø	ANNULAR CUTTER
12Ø x 30mm	TDA12X30E	26Ø x 55mm	TDA26X55E
12Ø x 55mm	TDA12X55E	27Ø x 30mm	TDA27X30E
13Ø x 30mm	TDA13X30E	27Ø x 55mm	TDA27X55E
13Ø x 55mm	TDA13X55E	28Ø x 30mm	TDA28X30E
14Ø x 30mm	TDA14X30E	28Ø x 55mm	TDA28X55E
14Ø x 55mm	TDA14X55E	28Ø x 100mm	TDA28X100E
15Ø x 30mm	TDA15X30E	29Ø x 30mm	TDA29X30E
15Ø x 55mm	TDA15X55E	29Ø x 55mm	TDA29X55E
16Ø x 30mm	TDA16X30E	30Ø x 30mm	TDA30X30E
16Ø x 55mm	TDA16X55E	30Ø x 55mm	TDA30X55E
17Ø x 30mm	TDA17X30E	31Ø x 30mm	TDA31X30E
17Ø x 55mm	TDA17X55E	31Ø x 55mm	TDA31X55E
17.5Ø x 30mm	TDA17.5X30E	32Ø x 30mm	TDA32X30E
18Ø x 30mm	TDA18X30E	32Ø x 55mm	TDA32X55E
18Ø x 55mm	TDA18X55E	33Ø x 30mm	TDA33X30E
18Ø x 100mm	TDA18X100E	33Ø x 55mm	TDA33X55E
19Ø x 30mm	TDA19X30E	33Ø x 75mm	TDA33X75E
19Ø x 55mm	TDA19X55E	34Ø x 30mm	TDA34X30E
19Ø x 100mm	TDA19X100E	34Ø x 55mm	TDA34X55E
19.5Ø x 55mm	TDA19.5X55E	34Ø x 100mm	TDA34X100E
20Ø x 30mm	TDA20X30E	35Ø x 30mm	TDA35X30E
20Ø x 55mm	TDA20X55E	35Ø x 55mm	TDA35X55E
20Ø x 100mm	TDA20X100E	35Ø x 100mm	TDA35X100E
21Ø x 30mm	TDA21X30E	36Ø x 30mm	TDA36X30E
21Ø x 55mm	TDA21X55E	36Ø x 55mm	TDA36X55E
21Øx100mm	TDA21X100E	37Ø x 30mm	TDA37X30E
22Ø x 30mm	TDA22X30E	37Ø x 55mm	TDA37X55E
22Ø x 55mm	TDA22X55E	38Ø x 30mm	TDA38X30E
23Ø x 30mm	TDA23X30E	38Ø x 55mm	TDA38X55E
23Ø x 55mm	TDA23X55E	38Ø x 100mm	TDA38X100E
23Ø x 100mm	TDA23X100E	39Ø x 30mm	TDA39X30E
24Ø x 30mm	TDA24X30E	39Ø x 55mm	TDA39X55E
24Ø x 55mm	TDA24X55E	40Ø x 30mm	TDA40X30E
24Ø x 100mm	TDA24X100E	40Ø x 55mm	TDA40X55E
25Ø x 30mm	TDA25X30E	40Ø x 100mm	TDA40X100E
25Ø x 55mm	TDA25X55E	41Ø x 30mm	TDA41X30E
26Ø x 30mm	TDA26X30E	41Ø x 55mm	TDA41X55E

ANNULAR CUTTER			
Ø	ANNULAR CUTTER	Ø	ANNULAR CUTTER
42Ø x 30mm	TDA42X30E	53Ø x 55mm	TDA53X55E
42Ø x 55mm	TDA42X55E	54Ø x 55mm	TDA54X55E
43Ø x 30mm	TDA43X30E	55Ø x 55mm	TDA55X55E
43Ø x 55mm	TDA43X55E	56Ø x 55mm	TDA56X55E
44Ø x 30mm	TDA44X30E	57Ø x 55mm	TDA57X55E
44Ø x 55mm	TDA44X55E	58Ø x 55mm	TDA58X55E
45Ø x 30mm	TDA45X30E	59Ø x 55mm	TDA59X55E
45Ø x 55mm	TDA45X55E	60Ø x 55mm	TDA60X55E
46Ø x 30mm	TDA46X30E	60Ø x 100mm	TDA60X100E
46Ø x 55mm	TDA46X55E	61Ø x 55mm	TDA61X55E
47Ø x 30mm	TDA47X30E	62Ø x 55mm	TDA62X55E
47Ø x 55mm	TDA47X55E	63Ø x 55mm	TDA63X55E
48Ø x 30mm	TDA48X30E	64Ø x 55mm	TDA64X55E
48Ø x 55mm	TDA48X55E	65Ø x 55mm	TDA65X55E
49Ø x 30mm	TDA49X30E	68Ø x 55mm	TDA68X55E
49Ø x 55mm	TDA49X55E	70Ø x 55mm	TDA70X55E
50Ø x 30mm	TDA50X30E	74Ø x 55mm	TDA74X55E
50Ø x 55mm	TDA50X55E	78Ø x 55mm	TDA78X55E
51Ø x 30mm	TDA51X30E	80Ø x 55mm	TDA80X55E
51Ø x 55mm	TDA51X55E	90Ø x 55mm	TDA90X55E
52Ø x 55mm	TDA52X55E	100Ø x 55mm	TDA100X55E

EUROBOOR PILOT PIN	
DESCRIPTION	CALIBRI (BODY)
TDEP.80	103 (Suits HCS 61-1)
TDEP.85	90 (Suits HMS 18-50)
TDEP.100	123 (Suits HCL 61-1)
TDEP.90	Ejection Pin Euroboor Short 12-60Øx102m





# METRIC GOLD SERIES JOBBER DRILL BIT

# IMPERIAL GOLD & LONG SERIES JOBBER DRILL BIT



Ø	GOLD	Ø	GOLD	Ø	GOLD	Ø	GOLD
0.3mm	TDJ0.3G	3.3mm	TDJ3.3G	6.5mm	TDJ6.5G	9.8mm	TDJ9.8G
0.4mm	TDJ0.4G	3.4mm	TDJ3.4G	6.6mm	TDJ6.6G	9.9mm	TDJ9.9G
0.5mm	TDJ0.5G	3.5mm	TDJ3.5G	6.7mm	TDJ6.7G	10mm	TDJ10.0G
0.58mm	TDJ0.58G	3.6mm	TDJ3.6G	6.8mm	TDJ6.8G	10.1mm	TDJ10.1G
0.6mm	TDJ0.6G	3.7mm	TDJ3.7G	6.9mm	TDJ6.9G	10.2mm	TDJ10.2G
0.7mm	TDJ0.7G	3.8mm	TDJ3.8G	7mm	TDJ7.0G	10.3mm	TDJ10.3G
0.8mm	TDJ0.8G	3.9mm	TDJ3.9G	7.1mm	TDJ7.1G	10.4mm	TDJ10.4G
0.9mm	TDJ0.9G	4mm	TDJ4.0G	7.2mm	TDJ7.2G	10.5mm	TDJ10.5G
1mm	TDJ1.0G	4.1mm	TDJ4.1G	7.3mm	TDJ7.3G	10.6mm	TDJ10.6G
1.1mm	TDJ1.1G	4.2mm	TDJ4.2G	7.4mm	TDJ7.4G	10.7mm	TDJ10.7G
1.2mm	TDJ1.2G	4.3mm	TDJ4.3G	7.5mm	TDJ7.5G	10.8mm	TDJ10.8G
1.3mm	TDJ1.3G	4.4mm	TDJ4.4G	7.6mm	TDJ7.6G	10.9mm	TDJ10.9G
1.4mm	TDJ1.4G	4.5mm	TDJ4.5G	7.7mm	TDJ7.7G	11mm	TDJ11.0G
1.5mm	TDJ1.5G	4.6mm	TDJ4.6G	7.8mm	TDJ7.8G	11.1mm	TDJ11.1G
1.6mm	TDJ1.6G	4.7mm	TDJ4.7G	7.9mm	TDJ7.9G	11.2mm	TDJ11.2G
1.7mm	TDJ1.7G	4.8mm	TDJ4.8G	8mm	TDJ8.0G	11.3mm	TDJ11.3G
1.8mm	TDJ1.8G	4.9mm	TDJ4.9G	8.1mm	TDJ8.1G	11.4mm	TDJ11.4G
1.9mm	TDJ1.9G	5mm	TDJ5.0G	8.2mm	TDJ8.2G	11.5mm	TDJ11.5G
2mm	TDJ2.0G	5.1mm	TDJ5.1G	8.3mm	TDJ8.3G	11.6mm	TDJ11.6G
2.1mm	TDJ2.1G	5.2mm	TDJ5.2G	8.4mm	TDJ8.4G	11.7mm	TDJ11.7G
2.2mm	TDJ2.2G	5.3mm	TDJ5.3G	8.5mm	TDJ8.5G	11.8mm	TDJ11.8G
2.25mm	TDJ2.25G	5.4mm	TDJ5.4G	8.6mm	TDJ8.6G	11.9mm	TDJ11.9G
2.3mm	TDJ2.3G	5.5mm	TDJ5.5G	8.7mm	TDJ8.7G	12mm	TDJ12.0G
2.4mm	TDJ2.4G	5.6mm	TDJ5.6G	8.8mm	TDJ8.8G	12.1mm	TDJ12.1G
2.5mm	TDJ2.5G	5.7mm	TDJ5.7G	8.9mm	TDJ8.9G	12.2mm	TDJ12.2G
2.6mm	TDJ2.6G	5.8mm	TDJ5.8G	9mm	TDJ9.0G	12.3mm	TDJ12.3G
2.7mm	TDJ2.7G	5.9mm	TDJ5.9G	9.1mm	TDJ9.1G	12.4mm	TDJ12.4G
2.75mm	TDJ2.75G	6mm	TDJ6.0G	9.2mm	TDJ9.2G	12.5mm	TDJ12.5G
2.8mm	TDJ2.8G	6.1mm	TDJ6.1G	9.3mm	TDJ9.3G	12.6mm	TDJ12.6G
2.9mm	TDJ2.9G	6.15mm	TDJ6.15G	9.4mm	TDJ9.4G	12.7mm	TDJ12.7G
3mm	TDJ3.0G	6.2mm	TDJ6.2G	9.5mm	TDJ9.5G	12.8mm	TDJ12.8G
3.1mm	TDJ3.1G	6.3mm	TDJ6.3G	9.6mm	TDJ9.6G	12.9mm	TDJ12.9G
3.2mm	TDJ3.2G	6.4mm	TDJ6.4G	9.7mm	TDJ9.7G	13mm	TDJ13.0G
						13.5mm	TDJ13.5G

Ø	GOLD	Ø	LONG	Ø	LONG	Ø	LONG
1/64"	TDJ1/64G	2.0mm x 95mm	TDL2.0G	3.0mm x 315mm	TDL3.0X315G	5/64" x 95.5	TDL5/64G
1/32"	TDJ1/32G	2.5mm x 95mm	TDL2.5G	3.3mm x 315mm	TDL3.3X315G	3/32" x 108	TDL3/32G
3/64"	TDJ3/64G	3.0mm x 130mm	TDL3.0G	4.0mm x 315mm	TDL4.0X315G	7/64" x 118	TDL7/64G
1/16"	TDJ1/16G	3.3mm x 106mm	TDL3.3G	5.0mm x 315mm	TDL5.0X315G	1/8" x 131	TDL1/8G
5/64"	TDJ5/64G	3.5mm x 137mm	TDL3.5G	6.0mm x 315mm	TDL6.0X315G	9/64" x 137	TDL9/64G
3/32"	TDJ3/32G	3.8mm x 120mm	TDL3.8G	6.5mm x 315mm	TDL6.5X315G	5/32" x 137	TDL5/32G
7/64"	TDJ7/64G	4.0mm x 146mm	TDL4.0G	8.0mm x 315mm	TDL8.0X315G	11/64" x 146	TDL11/64G
1/8"	TDJ1/8G	4.5mm x 146mm	TDL4.5G	9.0mm x 315mm	TDL9.0X315G	3/16" x 146	TDL3/16G
9/64"	TDJ9/64G	5.0mm x 152mm	TDL5.0G	10.0mm x 315mm	TDL10.0X315G	13/64" x 152	TDL13/64G
5/32"	TDJ5/32G	5.5mm x 152mm	TDL5.5G	11.0mm x 315mm	TDL11.0X315G	7/32" x 152	TDL7/32G
11/64"	TDJ11/64G	6.0mm x 156mm	TDL6.0G	11.5mm x 315mm	TDL11.5X315G	15/64" x 158	TDL15/64G
3/16"	TDJ3/16G	6.5mm x 159mm	TDL6.5G	12.0mm x 315mm	TDL12.0X315G	1/4" x 155	TDL1/4G
13/64"	TDJ13/64G	7.0mm x 159mm	TDL7.0G	12.5mm x 315mm	TDL12.5X315G	17/64" x 159	TDL17/64G
7/32"	TDJ7/32G	7.5mm x 162mm	TDL7.5G	13.0mm x 315mm	TDL13.0X315G	9/32" x 159	TDL9/32G
15/64"	TDJ15/64G	8.0mm x 165mm	TDL8.0G			19/64" x 162	TDL19/64G
1/4"	TDJ1/4G	8.5mm x 165mm	TDL8.5G			5/16" x 162	TDL5/16G
17/64"	TDJ17/64G	9.0mm x 171mm	TDL9.0G			21/64" x 165	TDL21/64G
9/32"	TDJ9/32G	9.5mm x 171mm	TDL9.5G			11/32" x 175	TDL11/32G
19/64"	TDJ19/64G	10.0mm x 178mm	TDL10.0G			23/64" x 175	TDL23/64G
5/16"	TDJ5/16G	10.5mm x 184mm	TDL10.5G			3/8" x 171	TDL3/8G
21/64"	TDJ21/64G	11.0mm x 184mm	TDL11.0G			13/32" x 184	TDL13/32G
11/32"	TDJ11/32G	11.5mm x 184mm	TDL11.5G			7/16" x 181	TDL7/16G
23/64"	TDJ23/64G	12.0mm x 197mm	TDL12.0G			15/32" x 205	TDL15/32G
3/8"	TDJ3/8G	12.5mm x 197mm	TDL12.5G			1/2" x 202	TDL1/2G
25/64"	TDJ25/64G	13.0mm x 203mm	TDL13.0G				
13/32"	TDJ13/32G						
27/64"	TDJ27/64G						
7/16"	TDJ7/16G						
29/64"	TDJ29/64G						
15/32"	TDJ15/32G						
31/64"	TDJ31/64G						
1/2"	TDJ1/2G						





Ø	GOLD
1.5mm	TDQ1.5
2mm	TDQ2.0
2.4mm	TDQ2.4
3mm	TDQ3.0
3.2mm	TDQ3.2
3.3mm	TDQ3.3
3.5mm	TDQ3.5
3.6mm	TDQ3.6
4mm	TDQ4.0
4.2mm	TDQ4.2
4.5mm	TDQ4.5
4.8mm	TDQ4.8
5mm	TDQ5.0
5.5mm	TDQ5.5
5.6mm	TDQ5.6
6mm	TDQ6.0
6.3mm	TDQ6.3
6.5mm	TDQ6.5

Ø	GOLD
No 11 - 4.85mm	TDJN11G
No 20 - 4.09mm	TDJN20G
No 30 - 3.26mm	TDJN30G
No 31 - 3.05mm	TDJN31G

ALPHA STEP DRILL SPIRAL FLUTE	
Ø	GOLD
4-12mm	TD9STFSM4-12S
4-20mm	TD9STFSM4-20S
6-30mm	TD9STFSM6-30S
6-36mm	TD9STFSM6-36S

Ø	METRIC REDUCED SHANK
10.5mm	TDR10.5G
11mm	TDR11.0G
11.5mm	TDR11.5G
12mm	TDR12.0G
12.5mm	TDR12.5G
13mm	TDR13.0G
13.5mm	TDR13.5G
14mm	TDR14.0G
14.5mm	TDR14.5G
15mm	TDR15.0G
15.5mm	TDR15.5G
16mm	TDR16.0G
16.5mm	TDR16.5G
17mm	TDR17.0G
17.5mm	TDR17.5G
18mm	TDR18.0G
18.5mm	TDR18.5G
19mm	TDR19.0G
19.5mm	TDR19.5G
20mm	TDR20.0G
20.5mm	TDR20.5G
21mm	TDR21.0G
21.5mm	TDR21.5G
22mm	TDR22.0G
22.5mm	TDR22.5G
23mm	TDR23.0G
23.5mm	TDR23.5G
24mm	TDR24.0G
24.5mm	TDR24.5G
25mm	TDR25.0G
26mm	TDR26.0G
27mm	TDR27.0G
28mm	TDR28.0G
29mm	TDR29.0G
30mm	TDR30.0G
32mm	TDR32.0G

Ø	IMPERIAL REDUCED SHANK
13/32"	TDR13/32G
27/64"	TDR27/64G
7/16"	TDR7/16G
29/64"	TDR29/64G
15/32"	TDR15/32G
31/64"	TDR31/64G
1/2"	TDR1/2G
33/64"	TDR33/64G
17/32"	TDR17/32G
35/64"	TDR35/64G
9/16"	TDR9/16G
37/64"	TDR37/64G
19/32"	TDR19/32G
39/64"	TDR39/64G
5/8"	TDR5/8G
41/64"	TDR41/64G
21/32"	TDR21/32G
43/64"	TDR43/64G
11/16"	TDR11/16G
45/64"	TDR45/64G
23/32"	TDR23/32G
3/4"	TDR3/4G
49/64"	TDR49/64G
25/32"	TDR25/32G
51/64"	TDR51/64G
13/16"	TDR13/16G
53/64"	TDR53/64G
27/32"	TDR27/32G
55/64"	TDR55/64G
7/8"	TDR7/8G
29/32"	TDR29/32G
15/16"	TDR15/16G
31/32"	TDR31/32G
1"	TDR1G
1-1/16"	TDR1-1/16G
1-1/8"	TDR1-1/8G
1-3/16"	TDR1-3/16G
1-1/4"	TDR1-1/4G







DESCRIPTION	METRIC DRILL SET
1.5-6.5 - 13 Piece	TDSM13G
1.0-10.0 - 19 Piece	TDSM19G
1.0-13.0 - 25 Piece	TDSM25G

DESCRIPTION	IMPERIAL DRILL SET
1/16"-1/4" - 13 Piece	TDSI13G
1/16"-3/8" - 21 Piece	TDSI21G
1/16"-1/2" - 29 Piece	TDSI29G

GOLD STUB DRILL	
Ø	METRIC
2mm	TDSB2G
2.25mm	TDSB2.25G
2.5mm	TDSB2.5G
2.75mm	TDSB2.75G
3mm	TDSB3G
3.5mm	TDSB3.5G
4mm	TDSB4G
4.5mm	TDSB4.5G
4.9mm	TDSB4.9G
5mm	TDSB5G
5.1mm	TDSB5.1G
5.5mm	TDSB5.5G
6mm	TDSB6G
6.5mm	TDSB6.5G
7mm	TDSB7G
7.5mm	TDSB7.5G
8mm	TDSB8G
8.5mm	TDSB8.5G
9mm	TDSB9G
9.5mm	TDSB9.5G
10mm	TDSB10G
10.5mm	TDSB10.5G
11.5mm	TDSB11.5G
12mm	TDSB12G
12.5mm	TDSB12.5G
13mm	TDSB13G

GOLD STUB DRILL	
Ø	IMPERIAL
1/8"	TDSB1/8G
5/32"	TDSB5/32G
3/16"	TDSB3/16G
5/64"	TDSB5/64G
3/32"	TDSB3/32G
7/64"	TDSB7/64G
1/8"	TDSB1/8G
9/64"	TDSB9/64G
5/32"	TDSB5/32G
11/64"	TDSB11/64G
3/16"	TDSB3/16G
13/64"	TDSB13/64G
7/32"	TDSB7/32G
15/64"	TDSB15/64G
1/4"	TDSB1/4G
17/64"	TDSB17/64G
9/32"	TDSB9/32G
5/16"	TDSB5/16G
11/32"	TDSB11/32G
3/8"	TDSB3/8G
13/32"	TDSB13/32G
7/16"	TDSB7/16G
15/32"	TDSB15/32G
1/2"	TDSB1/2G

Ø	CENTRE DRILL
No.1 - 1/8"	TCDC1/8
No.2 - 3/16"	TCDC3/16
No.4 - 5/16"	TCDC5/16
No.6 - 1/2"	TCDC1/2
No.7 - 5/8"	TCDC5/8
No.8 - 3/4"	TCDC3/4

Ø	CROSS HOLE 90°
10mm	TCSCH-10HC
14mm	TCSCH-14HC
21.5mm	TCSCH-21HC
28mm	TCSCH-28HC
35mm	TCSCH-35HC
44mm	TCSCH-44HC

Ø	SPADE BIT	Ø	SPADE BIT
6mm	TS08-06	20mm	TS08-20
8mm	TS08-08	22mm	TS08-22
10mm	TS08-10	24mm	TS08-24
11mm	TS08-11	25mm	TS08-25
12mm	TS08-12	28mm	TS08-28
13mm	TS08-13	30mm	TS08-30
14mm	TS08-14	32mm	TS08-32
15mm	TS08-15	35mm	TS08-35
16mm	TS08-16	38mm	TS08-38
18mm	TS08-18	40mm	TS08-40
19mm	TS08-19		

Ø	SPADE DRILL EXTENSION
150mm	TS08-EXT150
300mm	TS08-EXT300



Ø x L	SHIPPER AUGER DRILL
6mm x 200mm	TDWA6X200
6mm x 450mm	TDWA6X450
8mm x 200mm	TDWA8X200
8mm x 450mm	TDWA8X450
8mm x 600mm	TDWA8X600
10mm x 200mm	TDWA10X200
10mm x 250mm	TDWA10X250
10mm x 450mm	TDWA10X450
10mm x 600mm	TDWA10X600
12mm x 200mm	TDWA12X200
12mm x 450mm	TDWA12X450
12mm x 600mm	TDWA12X600
13mm x 290mm	TDWA13X290
14mm x 200mm	TDWA14X200
14mm x 460mm	TDWA14X460
14mm x 600mm	TDWA14X600
15mm x 200mm	TDWA15X200
16mm x 450mm	TDWA16X450
16mm x 600mm	TDWA16X600
18mm x 200mm	TDWA18X200
18mm x 450mm	TDWA18X450
18mm x 600mm	TDWA18X600
19mm x 200mm	TDWA19X200
20mm x 200mm	TDWA20X200
20mm x 450mm	TDWA20X450
20mm x 600mm	TDWA20X600
21mm x 210mm	TDWA21X210

Ø x L	SHIPPER AUGER DRILL
22mm x 200mm	TDWA22X200
22mm x 220mm	TDWA22X220
22mm x 450mm	TDWA22X450
22mm x 600mm	TDWA22X600
24mm x 200mm	TDWA24X200
24mm x 450mm	TDWA24X450
24mm x 600mm	TDWA24X600
25mm x 200mm	TDWA25X200
25mm x 450mm	TDWA25X450
25mm x 600mm	TDWA25X600
26mm x 200mm	TDWA26X200
26mm x 450mm	TDWA26X450
26mm x 600mm	TDWA26X600
28mm x 200mm	TDWA28X200
28mm x 450mm	TDWA28X450
28mm x 460mm	TDWA28X460
28mm x 600mm	TDWA28X600
30mm x 200mm	TDWA30X200
30mm x 450mm	TDWA30X450
30mm x 600mm	TDWA30X600
32mm x 200mm	TDWA32X200
32mm x 600mm	TDWA32X600
34mm x 600mm	TDWA34X600
35mm x 200mm	TDWA35X200
36mm x 200mm	TDWA36X200
36mm x 600mm	TDWA36X600



Ø	MULTI-PURPOSE
16mm	THSTCT16
20mm	THSTCT20
22mm	THSTCT22
25mm	THSTCT25
27mm	THSTCT27
30mm	THSTCT30
32mm	THSTCT32
35mm	THSTCT35
38mm	THSTCT38
40mm	THSTCT40
44mm	THSTCT44
45mm	THSTCT45
50mm	THSTCT50
51mm	THSTCT51
54mm	THSTCT54
55mm	THSTCT55
57mm	THSTCT57
60mm	THSTCT60
64mm	THSTCT64
67mm	THSTCT67
68mm	THSTCT68
70mm	THSTCT70
73mm	THSTCT73
76mm	THSTCT76
80mm	THSTCT80
82mm	THSTCT82
86mm	THSTCT86
89mm	THSTCT89
92mm	THSTCT92
102mm	THSTCT102
114mm	THSTCT114
125mm	THSTCT125
140mm	THSTCT140
152mm	THSTCT152

Ø	BI METAL
14mm	THSV14
16mm	THSV16
17mm	THSV17
19mm	THSV19
20mm	THSV20
21mm	THSV21
22mm	THSV22
24mm	THSV24
25mm	THSV25
27mm	THSV27
29mm	THSV29
30mm	THSV30
32mm	THSV32
33mm	THSV33
35mm	THSV35
37mm	THSV37
38mm	THSV38
40mm	THSV40
41mm	THSV41
43mm	THSV43
44mm	THSV44
45mm	THSV45
46mm	THSV46
48mm	THSV48
52mm	THSV52
54mm	THSV54
55mm	THSV55
57mm	THSV57
59mm	THSV59
64mm	THSV64
67mm	THSV67

Ø	BI METAL
68mm	THSV68
70mm	THSV70
73mm	THSV73
75mm	THSV75
76mm	THSV76
79mm	THSV79
83mm	THSV83
86mm	THSV86
89mm	THSV89
92mm	THSV92
95mm	THSV95
98mm	THSV98
100mm	THSV100
102mm	THSV102
105mm	THSV105
108mm	THSV108
111mm	THSV111
114mm	THSV114
121mm	THSV121
127mm	THSV127
140mm	THSV140
146mm	THSV146
152mm	THSV152
160mm	THSV160
168mm	THSV168
177mm	THSV177
185mm	THSV185
200mm	THSV200
210mm	THSV210
250mm	THSV250

“KEEP UP TO DATE WITH OUR RECENT PROJECTS, INDUSTRY NEWS AND PRODUCT OFFERS”

FOLLOW US



/fastenersdirectglobal



/fasteners-direct-global-ltd





## SDS PLUS MASONRY DRILL BIT

Ø x L	MASONRY DRILL BIT	Ø x L	MASONRY DRILL BIT	Ø x L	MASONRY DRILL BIT
4mm x 110mm	TDMSP4X110	10mm x 110mm	TDMSP10X110	16mm x 160mm	TDMSP16X160
4mm x 160mm	TDMSP4X160	10mm x 160mm	TDMSP10X160	16mm x 210mm	TDMSP16X210
5mm x 110mm	TDMSP5X110	10mm x 210mm	TDMSP10X210	16mm x 260mm	TDMSP16X260
5mm x 160mm	TDMSP5X160	10mm x 260mm	TDMSP10X260	16mm x 310mm	TDMSP16X310
5mm x 210mm	TDMSP5X210	10mm x 310mm	TDMSP10X310	16mm x 450mm	TDMSP16X450
5.5mm x 110mm	TDMSP5.5X110	10mm x 350mm	TDMSP10X350	16mm x 600mm	TDMSP16X600
5.5mm x 160mm	TDMSP5.5X160	10mm x 450mm	TDMSP10X450	16mm x 800mm	TDMSP16X800
5.5mm x 210mm	TDMSP5.5X210	10mm x 600mm	TDMSP10X600	16mm x 1000mm	TDMSP16X1000
5.5mm x 310mm	TDMSP5.5X310	10mm x 1000mm	TDMSP10X1000	18mm x 200mm	TDMSP18X200
6mm x 110mm	TDMSP6X110	11mm x 260mm	TDMSP11X260	18mm x 300mm	TDMSP18X300
6mm x 160mm	TDMSP6X160	12mm x 160mm	TDMSP12X160	18mm x 450mm	TDMSP18X450
6mm x 210mm	TDMSP6X210	12mm x 210mm	TDMSP12X210	18mm x 600mm	TDMSP18X600
6mm x 310mm	TDMSP6X310	12mm x 260mm	TDMSP12X260	18mm x 1000mm	TDMSP18X1000
6mm x 460mm	TDMSP6X460	12mm x 310mm	TDMSP12X310	20mm x 200mm	TDMSP20X200
6.5mm x 110mm	TDMSP6.5X110	12mm x 360mm	TDMSP12X360	20mm x 300mm	TDMSP20X300
6.5mm x 160mm	TDMSP6.5X160	12mm x 450mm	TDMSP12X450	20mm x 450mm	TDMSP20X450
6.5mm x 210mm	TDMSP6.5X210	12mm x 600mm	TDMSP12X600	20mm x 600mm	TDMSP20X600
6.5mm x 260mm	TDMSP6.5X260	12mm x 1000mm	TDMSP12X1000	22mm x 250mm	TDMSP22X250
6.5mm x 310mm	TDMSP6.5X310	13mm x 160mm	TDMSP13X160	22mm x 450mm	TDMSP22X450
7mm x 160mm	TDMSP7X160	13mm x 210mm	TDMSP13X210	22mm x 600mm	TDMSP22X600
7mm x 250mm	TDMSP7X250	13mm x 310mm	TDMSP13X310	23mm x 450mm	TDMSP23X450
7mm x 450mm	TDMSP7X450	13mm x 450mm	TDMSP13X450	24mm x 250mm	TDMSP24X250
8mm x 110mm	TDMSP8X110	13mm x 600mm	TDMSP13X600	24mm x 450mm	TDMSP24X450
8mm x 160mm	TDMSP8X160	14mm x 260mm	TDMSP14X260	25mm x 250mm	TDMSP25X250
8mm x 210mm	TDMSP8X210	14mm x 310mm	TDMSP14X310	25mm x 450mm	TDMSP25X450
8mm x 260mm	TDMSP8X260	14mm x 450mm	TDMSP14X450	25mm x 600mm	TDMSP25X600
8mm x 310mm	TDMSP8X260	14mm x 600mm	TDMSP14X600	26mm x 250mm	TDMSP26X250
8mm x 460mm	TDMSP8X460	14 mm x 1000mm	TDMSP14X1000	26mm x 450mm	TDMSP26X450
8mm x 600mm	TDMSP8X600	15mm x 260mm	TDMSP15X260		
9mm x 210mm	TDMSP9X210	15mm x 450mm	TDMSP15X450		

## SDS PLUS ZENTRO DRILL BIT

Ø x L	4 CUTTER	Ø x L	4 CUTTER
5mm x 110mm	TDSPZ5X110	14mm x 260mm	TDSPZ14X260
5mm x 160mm	TDSPZ5X160	14mm x 450mm	TDSPZ14X450
5.5mm x 110mm	TDSPZ5.5X110	16mm x 260mm	TDSPZ16X260
5.5mm x 160mm	TDSPZ5.5X160	16mm x 450mm	TDSPZ16X450
6mm x 110mm	TDSPZ6X110	18mm x 250mm	TDSPZ18X250
6mm x 160mm	TDSPZ6X160	18mm x 450mm	TDSPZ18X450
6mm x 210mm	TDSPZ6X210	20mm x 250mm	TDSPZ20X250
6.5mm x 110mm	TDSPZ6.5X110	20mm x 450mm	TDSPZ20X450
6.5mm x 160mm	TDSPZ6.5X160	22mm x 250mm	TDSPZ22X250
6.5mm x 210mm	TDSPZ6.5X210	22mm x 450mm	TDSPZ22X450
8mm x 160mm	TDSPZ8X160	24mm x 250mm	TDSPZ24X250
8mm x 210mm	TDSPZ8X210	24mm x 450mm	TDSPZ24X450
10mm x 160mm	TDSPZ10X160	25mm x 250mm	TDSPZ25X250
10mm x 210mm	TDSPZ10X210	25mm x 450mm	TDSPZ25X450
10mm x 260mm	TDSPZ10X260	28mm x 250mm	TDSPZ28X250
12mm x 160mm	TDSPZ12X160	28mm x 450mm	TDSPZ28X450
12mm x 210mm	TDSPZ12X210	30mm x 250mm	TDSPZ30X250
12mm x 260mm	TDSPZ12X260	30mm x 450mm	TDSPZ30X450
12mm x 310mm	TDSPZ12X310	32mm x 450mm	TDSPZ32X450
12mm x 450mm	TDSPZ12X450		

## ALPHA SDS PLUS CHISEL

CODE	DESCRIPTION
TDMSH025X250	Alpha SDS Plus Hollow Chisel 25 x 250
TDMSPPFC25X250	25x250 SDS Plus Flat Chisel
TDMSPPC250	Alpha SDS Plus Pointed Chisel x 250
TDMSPPSC40X250	Alpha SDS Plus Spade Chisel 40 x 250





### SDS MAX MASONRY DRILL BIT

Ø x L	4 CUTTER	Ø x L	4 CUTTER
12mm x 340mm	TDSP12X340	25mm x 920mm	TDSP25X920
12mm x 540mm	TDSP12X540	26mm x 300mm	TDSP26X300
14mm x 340mm	TDSP14X340	26mm x 520mm	TDSP26X520
14mm x 540mm	TDSP14X540	28mm x 370mm	TDSP28X370
14mm x 920mm	TDSP14X920	28mm x 570mm	TDSP28X570
15mm x 340mm	TDSP15X340	28mm x 920mm	TDSP28X920
15mm x 540mm	TDSP15X540	30mm x 370mm	TDSP30X370
16mm x 340mm	TDSP16X340	30mm x 570mm	TDSP30X570
16mm x 540mm	TDSP16X540	32mm x 370mm	TDSP32X370
16mm x 920mm	TDSP16X920	32mm x 570mm	TDSP32X570
18mm x 340mm	TDSP18X340	32mm x 920mm	TDSP32X920
18mm x 540mm	TDSP18X540	35mm x 570mm	TDSP35X570
18mm x 920mm	TDSP18X920	35mm x 920mm	TDSP35X920
20mm x 320mm	TDSP20X320	37mm x 570mm	TDSP37X570
20mm x 520mm	TDSP20X520	38mm x 370mm	TDSP38X370
20mm x 920mm	TDSP20X920	38mm x 570mm	TDSP38X570
22mm x 320mm	TDSP22X320	40mm x 370mm	TDSP40X370
22mm x 520mm	TDSP22X520	40mm x 570mm	TDSP40X570
22mm x 920mm	TDSP22X920	40mm x 920mm	TDSP40X920
24mm x 320mm	TDSP24X320	45mm x 570mm	TDSP45X570
24mm x 520mm	TDSP24X520	50mm x 570mm	TDSP50X570
25mm x 320mm	TDSP25X320	52mm x 570mm	TDSP52X570
25mm x 520mm	TDSP25X520		

### ALPHA SDS MAX CHISEL

Ø x L	FLAT	LENGTH	POINTED	LENGTH	HOLLOW	Ø x L	SPADE
25mm x 280mm	TDMSXPC25X280	280mm	TDMSXPC280	300mm	TDMSXPC300	50mm x 400mm	TDMSXPC50X400
25mm x 400mm	TDMSXPC25X400	400mm	TDMSXPC400			80mm x 300mm	TDMSXPC80X300
25mm x 600mm	TDMSXPC25X600	600mm	TDMSXPC600				

Ø x L	STRAIGHT SHANK
3.5mm x 75mm	TDMA3.5X75
3mm x 65mm	TDMA3X65
4.5mm x 150mm	TDMA4.5X150
4.5mm x 65mm	TDMA4.5X65
4mm x 75mm	TDMA4X75
5.5mm x 150mm	TDMA5.5X150
5.5mm x 85mm	TDMA5.5X85
5mm x 150mm	TDMA5X150
5mm x 85mm	TDMA5X85
6.5mm x 100mm	TDMA6.5X100
6.5mm x 150mm	TDMA6.5X150
6.5mm x 300mm	TDMA6.5X300
6mm x 100mm	TDMA6X100
6mm x 150mm	TDMA6X150
7mm x 100mm	TDMA7X100
8mm x 120mm	TDMA8X120
8mm x 150mm	TDMA8X150
8mm x 300mm	TDMA8X300
10mm x 120mm	TDMA10X120
10mm x 150mm	TDMA10X150
10mm x 400mm	TDMA10X400
11mm x 150mm	TDMA11X150
12mm x 150mm	TDMA12X150
12mm x 400mm	TDMA12X400
13mm x 150mm	TDMA13X150
14mm x 210mm	TDMA14X210
16mm x 150mm	TDMA16X150
16mm x 400mm	TDMA16X400

### CUTTING TIPS GUIDE ON MASONRY DRILLS





UNI MASONRY DRILL BITS			
Ø x L	STRAIGHT SHANK	Ø	HEX SHANK - MULTI-PURPOSE
3.0mm x 70mm	TDMUNI3X70	3mm	TDMUNIHEX030
4.0mm x 85mm	TDMUNI4X85	4mm	TDMUNIHEX040
5.0mm x 85mm	TDMUNI5X85	5mm	TDMUNIHEX050
5.5mm x 85mm	TDMUNI5.5X85	5.5mm	TDMUNIHEX055
6.0mm x 100mm	TDMUNI6X100	6mm	TDMUNIHEX060
6.5mm x 100mm	TDMUNI6.5X100	6.5mm	TDMUNIHEX065
8.0mm x 120mm	TDMUNI8X120	8mm	TDMUNIHEX080
8.0mm x 310mm	TDMUNI8X310		
10mm x 120mm	TDMUNI10X120		
10mm x 310mm	TDMUNI10X310		
12mm x 150mm	TDMUNI12X150		



CONCRETE CORE CUTTER	
Ø x L	METRIC
40mm x 310mm	TBMCCC40X310
40mm x 550mm	TBMCCC40X550
45mm x 310mm	TBMCCC45X310
45mm x 550mm	TBMCCC45X550
55mm x 310mm	TBMCCC55X310
55mm x 550mm	TBMCCC55X550
65mm x 310mm	TBMCCC65X310
65mm x 550mm	TBMCCC65X550
80mm x 310mm	TBMCCC80X310
80mm x 550mm	TBMCCC80X550



## READ ABOUT FDG'S LATEST WORK

### Challenge

With nearly 100 staff and up to 5 major projects on the go at any time, Chenery needed to make the most of any time savings and efficiencies they could and expected that suppliers would come with solutions that helped to meet this challenge. For Chenery, FDG is one of those supplying partners, a company who is recognized and respected as a partner who will save time and enhance productivity.

Where Chenery was having issues with multiple supplier deliveries at different times, in different locations and often delayed, FDG were able to offer a full range of plumbing support products and fasteners collated and delivered. FDG provides a consolidated supply to Chenery without compromising on service or cost which took away the headache of dealing with multiple companies.

### Solution

FDG was determined to give Chenery the ability to use their time, their way by freeing up staff to focus on progressing a project forward, not waiting on supplies from other companies who failed to communicate and supply on time. Steve Tamatea of Chenery's says, "I can always depend on FDG to get me what I need when I need it", the sign of a true partnership and shared vision.

Chenery Services uses the full range of FDG products from Bolts & Nuts, Anchors & pipe clips, strut, cantilever brackets, masonry drills and tools. "The ability for FDG to source special items is a bonus too" adds Steve.



"I can always depend on FDG to get me what I need when I need it", the sign of a true partnership and shared vision.

Steve Tamatea  
of Chenery's



DRIVERS S SERIES		
#	LENGTH	SQUARE
0	50mm	TDBSQ050S
0	89mm	TDBSQ089S
1	25mm	TDBSQ125S
1	50mm	TDBSQ150S
1	75mm	TDBSQ175S
1	90mm	TDBSQ190S
1	100mm	TDBSQ1100S
1	150mm	TDBSQ1150S
2	25mm	TDBSQ225S
2	50mm	TDBSQ250S
2	75mm	TDBSQ275S
2	90mm	TDBSQ290S
2	100mm	TDBSQ2100S
2	132mm	TDBSQ2132S
2	150mm	TDBSQ2150S
3	25mm	TDBSQ325S
3	50mm	TDBSQ350S
3	75mm	TDBSQ375S
3	100mm	TDBSQ3100S
3	150mm	TDBSQ3150S

DRIVERS S SERIES		
#	LENGTH	POZI
1	25mm	TDBPZ125S
1	50mm	TDBPZ150S
1	75mm	TDBPZ175S
1	150mm	TDBPZ1150S
2	25mm	TDBPZ225S
2	50mm	TDBPZ250S
2	75mm	TDBPZ275S
2	89mm	TDBPZ289S
2	120mm	TDBPZ2120S
2	150mm	TDBPZ2150S
3	25mm	TDBPZ325S
3	50mm	TDBPZ350S
3	75mm	TDBPZ375S
3	89mm	TDBPZ389S

DRIVERS S SERIES		
#	LENGTH	PHILLIPS
0	75mm	TDBPH075S
1	25mm	TDBPH125S
1	50mm	TDBPH150S
1	75mm	TDBPH175S
1	92mm	TDBPH192S
1	100mm	TDBPH1100S
1	150mm	TDBPH1150S
2	25mm	TDBPH225S
2	50mm	TDBPH250S
2	65mm	TDBPH265S
2	75mm	TDBPH275S
2	92mm	TDBPH292S
2	100mm	TDBPH2100S
2	150mm	TDBPH2150S
2	200mm	TDBPH2200S
2	250mm	TDBPH2250S
3	25mm	TDBSQ325S
3	50mm	TDBPH350S
3	75mm	TDBPH375S
3	100mm	TDBPH3100S
3	150mm	TDBPH3150S

DRIVERS S SERIES					
#	LENGTH	SLOT	#	LENGTH	TORX
3	50mm	TDBSL350S	20	50mm	TDBT 2050S
5	50mm	TDBSL550S	20	75mm	TDBT 2075S
5	75mm	TDBSL575S	25	50mm	TDBT 2550S
6	50mm	TDBSL650S	25	75mm	TDBT 2575S
8	50mm	TDBSL850S	30	50mm	TDBT 3050S
			30	75mm	TDBT 3075S
			30	100mm	TDBT 30100S

DRIVERS THUNDERZONE								
#	LENGTH	SQUARE	#	LENGTH	PHILLIPS	#	LENGTH	POZI
1	50mm	TDBSQ150SS	1	25mm	TDBCPH125SS	1	50mm	TDBPH150SS
2	25mm	TDBSQ225SS	1	50mm	TDBCPH150SS	2	25mm	TDBPH225SS
2	50mm	TDBSQ250SS	2	25mm	TDBCPH225SS	2	50mm	TDBPH250SS
2	75mm	TDBSQ275SS	2	50mm	TDBCPH250SS	2	75mm	TDBPH275SS
2	90mm	TDBSQ290SS	2	100mm	TDBCPH2100SS	2	100mm	TDBPH2100SS
2	100mm	TDBSQ2100SS	2	150mm	TDBCPH2150SS	2	150mm	TDBPH2150SS
2	150mm	TDBSQ2150SS	3	50mm	TDBCPH350SS			

DOUBLE ENDED BIT								
#	LENGTH	PHILLIPS	#	LENGTH	POZI	#	LENGTH	PHILLIPS + SLOT
1	45mm	TDBPH145D	1	65mm	TDBPZ165D	1	65mm	TDBPH1SL445D
1	75mm	TDBPH175D	2	45mm	TDBPZ245D	2	45mm	TDBPH2SL645D
2	45mm	TDBPH245D	2	65mm	TDBPZ265D	2	65mm	TDBPH2SL665D
2	65mm	TDBPH265D	2	75mm	TDBPZ275D	2	75mm	TDBPH2SL860D
2	75mm	TDBPH275D						
2	100mm	TDBPH2100D						
2	150mm	TDBPH2150D						
2	300mm	TDBPH2300D						
2	400mm	TDBPH2400D						

DOUBLE ENDED BIT					
#	LENGTH	PHILLIPS + SQUARE	#	LENGTH	POZI + SLOT
2	50mm	TDBPH2SQ250D	2	50mm	TDBPZ2SQ250D
2	89mm	TDBPH2SQ289D	2	89mm	TDBPZ2SQ289D

MAGNETIC BIT HOLDER					
DRIVER	LENGTH	MAGNETIC BIT HOLDER	DRIVER	LENGTH	MAG BIT HOLDER SS
1/4"	54mm	TDBMBHC54	1/4"	54mm	TDBMBHCS54
1/4"	75mm	TDBMBHC75	1/4"	75mm	TDBMBHCS75
1/4"	150mm	TDBMBHC150			
1/4"	300mm	TDBMBHC300			





MAGNETIC NUTSETTER					
HEX SIZE	LENGTH	METRIC	HEX SIZE	LENGTH	IMPERIAL
7mm	65mm	TBDNS765A	1/4"	42mm	TBDNS1442A
8mm	65mm	TBDNS865A	1/4"	65mm	TBDNS1465A
10mm	65mm	TBDNS1065A	1/4"	100mm	TBDNS14100A
12mm	55mm	TBDNS1255A	5/16"	42mm	TBDNS1642A
13mm	55mm	TBDNS1355A	5/16"	65mm	TBDNS51665A
			5/16"	100mm	TBDNS16100A
			5/16"	150mm	TBDNS16150A
			5/16"	200mm	TBDNS516200A
			5/16"	300mm	TBDNS516300A
			3/8"	42mm	TBDNS3842A
			3/8"	65mm	TBDNS3865A
			3/8"	150mm	TBDNS38150A
			7/16"	65mm	TBDNS71665A
			9/16"	65mm	TBDNS91665A



HEX BITS					
HEX SIZE	LENGTH	HEX DRIVER	HEX SIZE	LENGTH	MAX DRIVE TORSION
2.5mm	25mm	TDBHEX2525S	4mm	50mm	TDHEX450ST
2.5mm	50mm	TDBHEX2550S	5mm	30mm	TDHEX530ST
3mm	30mm	TDBHEX330S	5mm	50mm	TDHEX550ST
3mm	50mm	TDBHEX350S	6mm	50mm	TDHEX650ST
4mm	30mm	TDBHEX430S			
4mm	50mm	TDBHEX450S			
5mm	30mm	TDBHEX530S			
5mm	50mm	TDBHEX550S			
5mm	75mm	TDBHEX575S			
5mm	100mm	TDBHEX5100S			
5mm	150mm	TDBHEX5150S			
6mm	32mm	TDBHEX632S			
6mm	60mm	TDBHEX660S			
8mm	32mm	TDBHEX832S			
10mm	32mm	TDBHEX1032S			



Ø & PITCH	METRIC	Ø & PITCH	METRIC F	Ø	UNC	Ø	UNF
M2 x 0.4 PITCH	TDNM2C	M8.0 x 1.0 PITCH	TDNMF8.0X1.0C	1/4"	TDNC1/4C	3/16"	TDNF3/16C
M3 x 0.5 PITCH	TDNM3C	M10.0 x 1.0 PITCH	TDNMF10.0X1.0C	5/16"	TDNC5/16C	1/4"	TDNF1/4C
M4 x 0.7 PITCH	TDNM4C	M10.0 x 1.25 PITCH	TDNMF10.0X1.25C	3/8"	TDNC3/8C	5/16"	TDNF5/16C
M5 x 0.8 PITCH	TDNM5C	M12.0 x 1.25 PITCH	TDNMF12.0X1.25C	7/16"	TDNC7/16C	3/8"	TDNF3/8C
M6 x 1 PITCH	TDNM6C	M12.0 x 1.5 PITCH	TDNMF12.0X1.5C	1/2"	TDNC1/2C	7/16"	TDNF7/16C
M7 x 1 PITCH	TDNM7C	M14.0 x 1.25 PITCH	TDNMF14.0X1.25C	9/16"	TDNC9/16C	1/2"	TDNF1/2C
M8 x 1.25 PITCH	TDNM8C	M14.0 x 1.5 PITCH	TDNMF14.0X1.5C	5/8"	TDNC5/8C	9/16"	TDNF9/16C
M9 x 1.5 PITCH	TDNM9C	M16.0 x 1.5 PITCH	TDNMF16.0X1.5C	3/4"	TDNC3/4C	5/8"	TDNF5/8C
M10 x 1.5 PITCH	TDNM10C	M18.0 x 1.5 PITCH	TDNMF18.0X1.5C	7/8"	TDNC7/8C	3/4"	TDNF3/4C
M12 x 1.75 PITCH	TDNM12C	M20.0 x 1.5 PITCH	TDNMF20.0X1.5C	1"	TDNC1C	7/8"	TDNF7/8C
M14 x 2 PITCH	TDNM14C	M22.0 x 1.5 PITCH	TDNMF22.0X1.5C	1-1/8"	TDNC1-1/8C	1-1/2"	TDNF1X12C
M16 x 2 PITCH	TDNM16C	M24.0 x 2 PITCH	TDNMF24.0X1.5C	1-1/4"	TDNC1-1/4C	1-1/4"	TDNF1X14C
M18 x 2.5 PITCH	TDNM18C	M25.0 x 1.5 PITCH	TDNMF25.0X1.5C	1-3/8"	TDNC1-3/8C	1-1/8"	TDNF1-1/8C
M20 x 2.5 PITCH	TDNM20C			1-1/2"	TDNC1-1/2C	1-1/4"	TDNF1-1/4C
M22 x 2.5 PITCH	TDNM22C			1-3/4"	TDNC1-3/4C	1-3/8"	TDNF1-3/8C
M24 x 3 PITCH	TDNM24C			2"	TDNC2C		
M27 x 3 PITCH	TDNM27C						
M30 x 3.5 PITCH	TDNM30C						
M33 x 3.5 PITCH	TDNM33C						
M36 x 4 PITCH	TDNM36C						



SIZE & Ø	METRIC	SIZE & Ø	METRIC FINE
M2 x 1D	TDBM2x1	M8-1 x 1D	TDBMF8-1x1
M3 x 1D	TDBM3x1	M8-1 x 1.5D	TDBMF8-1x1.5
M4 x 1D	TDBM4x1	M10-1 x 1D	TDBMF10-1x1
M4 x 1.5D	TDBM4x1.5	M10-1 x 1.5D	TDBMF10-1x1.5
M5 x 1D	TDBM5x1	M10-1.25 x 1D	TDBMF10-1.25x1
M5 x 1.5D	TDBM5x1.5	M10-1.25 x 1.5D	TDBMF10-1.25x1.5
M6 x 1D	TDBM6x1	M12-1.25 x 1D	TDBMF12-1.25x1
M6 x 1.5D	TDBM6x1.5	M12-1.25 x 1.5D	TDBMF12-1.25x1.5
M7 x 1D	TDBM7x1	M12-1.25 x 2D	TDBMF12-1.25x2
M7 x 1.5D	TDBM7x1.5	M12-1.5 x 1D	TDBMF12-1.5x1
M8 x 1D	TDBM8x1	M12-1.5 x 1.5D	TDBMF12-1.5x1.5
M8 x 1.5D	TDBM8x1.5	M12-1.5 x 2D	TDBMF12-1.5x2
M9 x 1D	TDBM9x1	M14-1.25 x 1.5D	TDBMF14-1.25x1.5
M9 x 1.5D	TDBM9x1.5	M14-1.25 x 2D	TDBMF14-1.25x2
M10 x 1D	TDBM10x1	M14-1.5 x 1.5D	TDBMF14-1.5x1.5
M10 x 1.5D	TDBM10x1.5	M14-1.5 x 2D	TDBMF14-1.5x2
M10 x 2D	TDBM10x2	M16-1.5 x 2D	TDBMF16-1.5x2
M11 x 1D	TDBM11x1	M18-1.5 x 2D	TDBMF18-1.5x2
M11 x 1.5D	TDBM11x1.5	M20-2.5 x 2D	TDBMF20-2.5x2
M12 x 1D	TDBM12x1	M22-2.5 x 2D	TDBMF22-2.5x2
M12 x 1.5D	TDBM12x1.5	M24-2 x 2D	TDBMF24-2x2
M12 x 2D	TDBM12x2	M25-1.5 x 2D	TDBMF25-1.5x2
M14 x 1.5D	TDBM14x1.5		
M14 x 2D	TDBM14x2		
M16 x 1.5D	TDBM16x1.5		
M16 x 2D	TDBM16x2		
M18 x 2D	TDBM18x2		
M20 x 2D	TDBM20x2		
M22 x 2D	TDBM22x2		
M24 x 2D	TDBM24x2		



SIZE & Ø	UNC	SIZE & Ø	UNF
#5 x 1D	TDBDUNC#5-1C	#5 x 1D	TDBDUNF#5-1C
#6 x 1D	TDBDUNC#6-1C	#6 x 1D	TDBDUNF#6-1C
#8 x 1D	TDBDUNC#8-1C	#8 x 1D	TDBDUNF#8-1C
#10 x 1D	TDBDUNC#10-1C	#10 x 1D	TDBDUNF#10-1C
#12 x 1D	TDBDUNC#12-1C	#12 x 1D	TDBDUNF#12-1C
3/16" x 1D	TDBDUNC3/16-1C	3/16" x 1D	TDBDUNF3/16-1C
1/4" x 1D	TDBDUNC1/4-1C	1/4" x 1D	TDBDUNF1/4-1C
1/4" x 1.5D	TDBDUNC1/4-1.5C	1/4" x 1.5D	TDBDUNF1/4-1.5C
5/16" x 1D	TDBDUNC5/16-1C	5/16" x 1D	TDBDUNF5/16-1C
5/16" x 1.5D	TDBDUNC5/16-1.5C	5/16" x 1.5D	TDBDUNF5/16-1.5C
3/8" x 1D	TDBDUNC3/8-1C	3/8" x 1D	TDBDUNF3/8-1C
3/8" x 1.5D	TDBDUNC3/8-1.5C	3/8" x 1.5D	TDBDUNF3/8-1.5C
7/16" x 1D	TDBDUNC7/16-1C	7/16" x 1D	TDBDUNF7/16-1C
7/16" x 1.5D	TDBDUNC7/16-1.5C	7/16" x 1.5D	TDBDUNF7/16-1.5C
1/2" x 1D	TDBDUNC1/2-1C	1/2" x 1D	TDBDUNF1/2-1C
1/2" x 1.5D	TDBDUNC1/2-1.5C	1/2" x 1.5D	TDBDUNF1/2-1.5C
1/2" x 2D	TDBDUNC1/2-2C	1/2" x 2D	TDBDUNF1/2-2C
9/16" x 1.5D	TDBDUNC9/16-1.5C	9/16" x 1.5D	TDBDUNF9/16-1.5C
9/16" x 2D	TDBDUNC9/16-2C	9/16" x 2D	TDBDUNF9/16-2C
5/8" x 1.5D	TDBDUNC5/8-1.5C	5/8" x 1.5D	TDBDUNF5/8-1.5C
5/8" x 2D	TDBDUNC5/8-2C	5/8" x 2D	TDBDUNF5/8-2C
3/4" x 2D	TDBDUNC3/4-2C	3/4" x 2D	TDBDUNF3/4-2C
7/8" x 2D	TDBDUNC7/8-2C	7/8" x 2D	TDBDUNF7/8-2C
1" x 2D	TDBDUNC1-2C	1" x 2D	TDBDUNF1-2C



METRIC				UNC			
Ø & PITCH	TAPER	INTER	BOTTOMING	Ø & TPI	TAPER	INTER	BOTTOMING
M2 x 0.4 PITCH	TTM2THH	TTM2IHH	TTM2BHH	#5 x 40 TPI	TTC#5THH	TTC#5IHH	TTC#5BHH
M2.5 x 0.45 PITCH	TTM2.5THH	TTM2.5IHH	TTM2.5BHH	#6 x 32 TPI	TTC#6THH	TTC#6IHH	TTC#6BHH
M3 x 0.5 PITCH	TTM3THH	TTM3IHH	TTM3BHH	#8 x 32 TPI	TTC#8THH	TTC#8IHH	TTC#8BHH
M3.5 x 0.6 PITCH	TTM3.5THH	TTM3.5IHH	TTM3.5BHH	#10 x 24 TPI	TTC#10THH	TTC#10IHH	TTC#10BHH
M4 x 0.7 PITCH	TTM4.5THH	TTM4IHH	TTM4BHH	#12 x 24 TPI	TTC#12THH	TTC#12IHH	TTC#12BHH
M4.5 x 0.75 PITCH	TTM4THH	TTM4.5IHH	TTM4.5BHH	3/16" x 24 TPI	TTC3/16THH	TTC3/16IHH	TTC3/16BHH
M5 x 0.8 PITCH	TTM5THH	TTM5IHH	TTM5BHH	1/4" x 20 TPI	TTC1/4THH	TTC1/4IHH	TTC1/4BHH
M6 x 1 PITCH	TTM6THH	TTM6IHH	TTM6BHH	5/16" x 18 TPI	TTC5/16THH	TTC5/16IHH	TTC5/16BHH
M7 x 1 PITCH	TTM7THH	TTM7IHH	TTM7BHH	3/8" x 16 TPI	TTC3/8THH	TTC3/8IHH	TTC3/8BHH
M8 x 1.25 PITCH	TTM8THH	TTM8IHH	TTM8BHH	7/16" x 14 TPI	TTC7/16THH	TTC7/16IHH	TTC7/16BHH
M9 x 1.25 PITCH	TTM9THH	TTM9IHH	TTM9BHH	1/2" x 13 TPI	TTC1/2THH	TTC1/2IHH	TTC1/2BHH
M10 x 1.5 PITCH	TTM10THH	TTM10IHH	TTM10BHH	9/16" x 12 TPI	TTC9/16THH	TTC9/16IHH	TTC9/16BHH
M12 x 1.75 PITCH	TTM12THH	TTM12IHH	TTM12BHH	5/8" x 11 TPI	TTC5/8THH	TTC5/8IHH	TTC5/8BHH
M14 x 2 PITCH	TTM14THH	TTM14IHH	TTM14BHH	3/4" x 10 TPI	TTC3/4THH	TTC3/4IHH	TTC3/4BHH
M16 x 2 PITCH	TTM16THH	TTM16IHH	TTM16BHH	7/8" x 9 TPI	TTC7/8THH	TTC7/8IHH	TTC7/8BHH
M18 x 2.5 PITCH	TTM18THH	TTM18IHH	TTM18BHH	1" x 8 TPI	TTC1THH	TTC1IHH	TTC1BHH
M20 x 2.5 PITCH	TTM20THH	TTM20IHH	TTM20BHH	1-1/8" x 7 TPI	TTC1-1/8THH	TTC1-1/8IHH	TTC1-1/8BHH
M22 x 2.5 PITCH	TTM22THH	TTM22IHH	TTM22BHH	1-1/4" x 7 TPI	TTC1-1/4THH	TTC1-1/4IHH	TTC1-1/4BHH
M24 x 3 PITCH	TTM24THH	TTM24IHH	TTM24BHH	1-1/2" x 6 TPI	TTC1-1/2THH	TTC1-1/2IHH	TTC1-1/2BHH
M30 x 3.5 PITCH	TTM30THH	TTM30IHH	TTM30BHH	1-3/4" x 5 TPI	TTC1-3/4THH	TTC1-3/4IHH	TTC1-3/4BHH
M33 x 3.5 PITCH	TTM33THH	TTM33IHH	TTM33BHH	2" x 4.5 TPI	TTC2THH	TTC2IHH	TTC2BHH
M36 x 4 PITCH	TTM36THH	TTM36IHH	TTM36BHH				

UNF				BSW			
Ø & TPI	TAPER	INTER	BOTTOMING	Ø & TPI	TAPER	INTER	BOTTOMING
#5 x 44 TPI	TTF#5THH	TTF#5IHH	TTF#5BHH	1/8" x 40 TPI	TTW1/8THH	TTW1/8IHH	TTW1/8BHH
#6 x 40 TPI	TTF#6THH	TTF#6IHH	TTF#6BHH	5/32" x 32 TPI	TTW5/32THH	TTW5/32IHH	TTW5/32BHH
#8 x 36 TPI	TTF#8THH	TTF#8IHH	TTF#8BHH	3/16" x 24 TPI	TTW3/16THH	TTW3/16IHH	TTW3/16BHH
#10 x 32 TPI	TTF#10THH	TTF#10IHH	TTF#10BHH	1/4" x 20 TPI	TTW1/4THH	TTW1/4IHH	TTW1/4BHH
#12 x 28 TPI	TTF#12THH	TTF#12IHH	TTF#12BHH	5/16" x 18 TPI	TTW5/16THH	TTW5/16IHH	TTW5/16BHH
3/16" x 32 TPI	TTF3/16THH	TTF3/16IHH	TTF3/16BHH	3/8" x 16 TPI	TTW3/8THH	TTW3/8IHH	TTW3/8BHH
1/4" x 28 TPI	TTF1/4THH	TTF1/4IHH	TTF1/4BHH	7/16" x 14 TPI	TTW7/16THH	TTW7/16IHH	TTW7/16BHH
5/16" x 24 TPI	TTF5/16THH	TTF5/16IHH	TTF5/16BHH	1/2" x 12 TPI	TTW1/2THH	TTW1/2IHH	TTW1/2BHH
3/8" x 24 TPI	TTF3/8THH	TTF3/8IHH	TTF3/8BHH	9/16" x 12 TPI	TTW9/16THH	TTW9/16IHH	TTW9/16BHH
7/16" x 20 TPI	TTF7/16THH	TTF7/16IHH	TTF7/16BHH	5/8" x 11 TPI	TTW5/8THH	TTW5/8IHH	TTW5/8BHH
1/2" x 20 TPI	TTF1/2THH	TTF1/2IHH	TTF1/2BHH	3/4" x 10 TPI	TTW3/4THH	TTW3/4IHH	TTW3/4BHH
9/16" x 18 TPI	TTF9/16THH	TTF9/16IHH	TTF9/16BHH	7/8" x 9 TPI	TTW7/8THH	TTW7/8IHH	TTW7/8BHH
5/8" x 18 TPI	TTF5/8THH	TTF5/8IHH	TTF5/8BHH	1" x 8 TPI	TTW1THH	TTW1IHH	TTW1BHH
3/4" x 16 TPI	TTF3/4THH	TTF3/4IHH	TTF3/4BHH	1-1/8" x 7 TPI	TTW1-1/8THH	TTW1-1/8IHH	TTW1-1/8BHH
7/8" x 14 TPI	TTF7/8THH	TTF7/8IHH	TTF7/8BHH	1-1/4" x 7 TPI	TTW1-1/4THH	TTW1-1/4IHH	TTW1-1/4BHH
1" x 12 TPI	TTF1THH	TTF1IHH	TTF1BHH	1-3/8" x 6 TPI	TTW1-3/8THH	TTW1-3/8IHH	TTW1-3/8BHH
1-1/8" x 12 TPI	TTF1-1/8THH	TTF1-1/8IHH	TTF1-1/8BHH	1-1/2" x 6 TPI	TTW1-1/2THH	TTW1-1/2IHH	TTW1-1/2BHH
1-1/4" x 12 TPI	TTF1-1/4THH	TTF1-1/4IHH	TTF1-1/4BHH	1-3/4" x 5 TPI	TTW1-3/4THH	TTW1-3/4IHH	TTW1-3/4BHH
1-1/2" x 12 TPI	TTF1-1/2THH	TTF1-1/2IHH	TTF1-1/2BHH	2" x 4.5 TPI	TTW2THH	TTW2IHH	TTW2BHH

### CT-SCGO SOLUBLE CUTTING FLUID GP

PART NO.	SIZE	PACK QTY
CT-SCGO-1L	1L Steel Flask	6
CT-SCGO-5L5L 2	5L Plastic Bottle	2
CT-SCGO-20L	20L Plastic Drum	1

Chemtools® Soluble Cutting Fluid (GP) is our most popular metal working fluid. It is formulated from solvent refined mineral oil & specialized additives to form a stable emulsion for general cutting and grinding. The high quality sulphur content makes it perfect for use in machine shops. It is suitable for tapping, threading, turning, milling and drilling of all ferrous metals. This product contains emulsifiers, corrosion inhibitors and lubricants.







METRIC FINE FLUTE HAND & MACHINE TAPS			
Ø & PITCH	TAPER	INTERMEDIATE	BOTTOMING
M8 x 1 PITCH	TTM8X1IHH	TTM8X1IHH	TTMF8X1BHH
M10 x 1 PITCH	TTM10X1IHH	TTM10X1IHH	TTMF10X1BHH
M10 x 1.25 PITCH	TTM10X1.25IHH	TTM10X1.25IHH	TTMF10X1.25BHH
M12 x 1.25 PITCH	TTM12X1.25IHH	TTM12X1.25IHH	TTMF12X1.25BHH
M12 x 1.5 PITCH	TTM12X1.5IHH	TTM12X1.5IHH	TTMF12X1.5BHH
M14 x 1.25 PITCH	TTM14X1.25IHH	TTM14X1.25IHH	TTMF14X1.25BHH
M14 x 1.5 PITCH	TTM14X1.5IHH	TTM14X1.5IHH	TTMF14X1.5BHH
M16 x 1.5 PITCH	TTM16X1.5IHH	TTM16X1.5IHH	TTMF16X1.5BHH
M18 x 1.5 PITCH	TTM18x1.5IHH	TTM18X1.5IHH	TTMF18X1.5BHH
M20 x 1.5 PITCH	TTM20X1.5IHH	TTM20X1.5IHH	TTMF20X1.5BHH
M22 x 1.5 PITCH	TTM22X1.5IHH	TTM22X1.5IHH	TTMF22X1.5BHH
M24 x 2 PITCH	TTM24X2IHH	TTM24X2IHH	TTMF24X2BHH
M25 x 1.5 PITCH	TTM25X1.5IHH	TTM25X1.5IHH	TTMF25X1.5BHH
M32 x 1.5 PITCH	TTM32X1.5IHH	TTM32X1.5IHH	TTMF32X1.5BHH

SPIRAL FLUTE TAP							
Ø & PITCH	METRIC	Ø & TPI	METRIC FINE	Ø & TPI	UNC	Ø & TPI	UNF
M3 x 0.5 PITCH	TTM3SSF	M5 x 0.5 TPI	TTMF5X0.5SSF	#6 x 32 TPI	TTC6GSSF	#5 x 44 TPI	TTF5GSSF
M4 x 0.7 PITCH	TTM4SSF	M6 x 0.75 TPI	TTMF6X0.75SSF	#8 x 32 TPI	TTC8GSSF	#6 x 40 TPI	TTF6GSSF
M5 x 0.8 PITCH	TTM5SSF	M8 x 1 TPI	TTMF8X1SSF	#10 x 24 TPI	TTC10GSSF	#8 x 36 TPI	TTF8GSSF
M6 x 1 PITCH	TTM6SSF	M10 x 1.0 TPI	TTMF10X1.0SSF	#12 x 24 TPI	TTC12GSSF	#10 x 32 TPI	TTF10GSSF
M7 x 1 PITCH	TTM7SSF	M10 x 1.25 TPI	TTMF10X1.25SSF	1/4 x 20 TPI	TTC1/4SSF	#12 x 28 TPI	TTF12GSSF
M8 x 1.25 PITCH	TTM8SSF	M12 x 1.25 TPI	TTMF12X1.25SSF	5/16 x 18 TPI	TTC5/16SSF	1/4 x 28 TPI	TTF1/4SSF
M9 x 1.25 PITCH	TTM9SSF	M12 x 1.5 TPI	TTMF12x1.5SSF	3/8 x 16 TPI	TTC3/8SSF	5/16 x 24 TPI	TTF5/16SSF
M10 x 1.5 PITCH	TTM10SSF			7/16 x 14 TPI	TTC7/16SSF	3/8 x 24 TPI	TTF3/8SSF
M11 x 1.5 PITCH	TTM11SSF			1/2 x 13 TPI	TTC1/2SSF	7/16 x 20 TPI	TTF7/16SSF
M12 x 1.75 PITCH	TTM12SSF			9/16 x 12 TPI	TTC9/16SSF	1/2 x 20 TPI	TTF1/2SSF
M14 x 2 PITCH	TTM14SSF			5/8 x 11 TPI	TTC5/8SSF	9/16 x 18 TPI	TTF9/16SSF
M16 x 2 PITCH	TTM16SSF			3/4 x 10 TPI	TTC3/4SSF	5/8 x 18 TPI	TTF5/8SSF
M18 x 2.5 PITCH	TTM18SSF			7/8 x 9 TPI	TTC7/8SSF	3/4 x 16 TPI	TTF3/4SSF
M20 x 2.5 PITCH	TTM20SSF			1 x 8 TPI	TTC1SSF	7/8 x 14 TPI	TTF7/8SSF
M22 x 2.5 PITCH	TTM22SSF					1 x 12 TPI	TTF1SSF
M24 x 3 PITCH	TTM24SSF						

Ø & PITCH	METRIC	Ø & TPI	UNC	Ø & TPI	UNF
M3 x 0.5 PITCH	TTM3SSP	#6 x 32 TPI	TTC6GSSP	#5 x 44 TPI	TTF5GSSP
M3.5 x 0.6 PITCH	TTM3.5SSP	#8 x 32 TPI	TTC8GSSP	#6 x 40 TPI	TTF6GSSP
M4 x 0.7 PITCH	TTM04SSP	#10 x 24 TPI	TTC10GSSP	#8 x 36 TPI	TTF8GSSP
M5 x 0.8 PITCH	TTM05SSP	#12 x 24 TPI	TTC12GSSP	#10 x 32 TPI	TTF10GSSP
M6 x 1 PITCH	TTM6SSP	1/4 x 20 TPI	TTC1/4SSP	#12 x 28 TPI	TTF12GSSP
M7 x 1 PITCH	TTM7SSP	5/16 x 18 TPI	TTC5/16SSP	1/4 x 28 TPI	TTF1/4SSP
M8 x 1.25 PITCH	TTM8SSP	3/8 x 16 TPI	TTC3/8SSP	5/16 x 24 TPI	TTF5/16SSP
M9 x 1.25 PITCH	TTM9SSP	7/16 x 14 TPI	TTC7/16SSP	3/8 x 24 TPI	TTF3/8SSP
M10 x 1.5 PITCH	TTM10SSP	1/2 x 13 TPI	TTC1/2SSP	7/16 x 20 TPI	TTF7/16SSP
M11 x 1.5 PITCH	TTM11SSP	9/16 x 12 TPI	TTC9/16SSP	1/2 x 20 TPI	TTF1/2SSP
M12 x 1.75 PITCH	TTM12SSP	5/8 x 11 TPI	TTC5/8SSP	9/16 x 18 TPI	TTF9/16SSP
M14 x 2 PITCH	TTM14SSP	3/4 x 10 TPI	TTC3/4SSP	5/8 x 18 TPI	TTF5/8SSP
M16 x 2 PITCH	TTM16SSP	7/8 x 9 TPI	TTC7/8SSP	3/4 x 16 TPI	TTF3/4SSP
M18 x 2.5 PITCH	TTM18SSP	1 x 8 TPI	TTC1SSP	7/8 x 14 TPI	TTF7/8SSP
M20 x 2.5 PITCH	TTM20SSP			1 x 12 TPI	TTF1SSP
M22 x 2.5 PITCH	TTM22SSP				
M24 x 3 PITCH	TTM24SSP				
M27 x 3 PITCH	TTM27SSP				
M30 x 3.5 PITCH	TTM30SSP				
M33 x 3.5 PITCH	TTM33SSP				
M36 x 4 PITCH	TTM36SSP				



### CYLINDRICAL BURR WITH SMOOTH END

Ø x L	METRIC	Ø x L	IMPERIAL	Ø x L	LONG IMPERIAL
1.5mm x 38mm	TBURRSA-41MDC	1/16" x 1-1/2"	TBURRSA-41DC	1/4" x 6-1/2"	TBURRSA-1L6
3.0mm x 38mm	TBURRSA-43MDC	3/32" x 1-1/2"	TBURRSA-42DC	3/8" x 6-3/4"	TBURRSA-3L6
6.3mm x 50mm	TBURRSA-51MDC	1/8" x 1-1/2"	TBURRSA-43DC	1/2" x 7"	TBURRSA-5L6
4.7mm x 50mm	TBURRSA-14MDC	5/32" x 1-1/2"	TBURRSA-52DC		
6.0mm x 50mm	TBURRSA-1MDC	3/16" x 1-1/2"	TBURRSA-53DC		
8.0mm x 63mm	TBURRSA-2MDC	1/4" x 2"	TBURRSA-51DC		
9.5mm x 63mm	TBURRSA-3MDC	1/8" x 2"	TBURRSA-11DC		
12.7mm x 68mm	TBURRSA-5MDC	3/16" x 2"	TBURRSA-14DC		
16.0mm x 68mm	TBURRSA-6MDC	1/4" x 2"	TBURRSA-1DC		
25.4mm x 68mm	TBURRSA-9MDC	5/16" x 2-3/4"	TBURRSA-2DC		
		3/8" x 2-3/4"	TBURRSA-3DC		
		7/16" x 3"	TBURRSA-4DC		
		1/2" x 3"	TBURRSA-5DC		
		5/8" x 3"	TBURRSA-6DC		
		3/4" x 3"	TBURRSA-7DC		
		1" x 3"	TBURRSA-9DC		

### ALUMINIUM CUT WITH SMOOTH END

Ø x L	METRIC	Ø x L	IMPERIAL
6.0mm x 50mm	TBURRSA-1MAL	1/4" x 2"	TBURRSA-1AL
9.5mm x 63mm	TBURRSA-3MAL	3/8" x 2-3/4"	TBURRSA-3AL
12.7mm x 68mm	TBURRSA-5MAL	1/2" x 3"	TBURRSA-5AL
		5/8" x 3"	TBURRSA-6AL
		3/4" x 3"	TBURRSA-7AL

### CYLINDRICAL BURR WITH END CUT

Ø x L	METRIC	Ø x L	IMPERIAL
4.7" x 50mm	TBURRSB-14MDC	1/4" x 2"	TBURRSB-51DC
6.0" x 50mm	TBURRSB-1MDC	1/8" x 2"	TBURRSB-11DC
8.0" x 63mm	TBURRSB-2MDC	3/16" x 2"	TBURRSB-14DC
9.5" x 63mm	TBURRSB-3MDC	1/4" x 2"	TBURRSB-1DC
11.0" x 68mm	TBURRSB-4MDC	5/16" x 2-3/4"	TBURRSB-2DC
12.7" x 68mm	TBURRSB-5MDC	3/8" x 2-3/4"	TBURRSB-3DC
16.0" x 68mm	TBURRSB-6MDC	7/16" x 3"	TBURRSB-4DC
19.0" x 8mm	TBURRSB-7MDC	1/2" x 3"	TBURRSB-5DC
		5/8" x 3"	TBURRSB-6DC
		3/4" x 3"	TBURRSB-7DC

### ALUMINIUM CUT WITH END CUT

Ø x L	IMPERIAL
3/8" x 2"	TBURRSB-3AL
5/8" x 3"	TBURRSB-5AL

**M18 FUEL™ 1/4" DIE GRINDER**  
UP TO 20 MINUTES GRINDING

**M-M18FDG-0**

Check out our wide range of Milwaukee on page 284



### CYLINDRICAL BURR WITH BALLNOSE

Ø x L	METRIC	Ø x L	IMPERIAL	Ø x L	LONG IMPERIAL
2.5mm x 38mm	TBURRSC-41MDC	3/32" x 1-1/2"	TBURRSC-41DC	1/4" x 6-1/2"	TBURRSC-1L6
3.0mm x 38mm	TBURRSC-42MDC	1/8" x 1-1/2"	TBURRSC-42DC	3/8" x 6-3/4"	TBURRSC-3L6
4.7mm x 50mm	TBURRSC-14MDC	5/32" x 1-1/2"	TBURRSC-52DC	1/2" x 7"	TBURRSC-5L6
6.0mm x 50mm	TBURRSC-1MDC	3/16" x 1-1/2"	TBURRSC-53DC		
8.0mm x 63mm	TBURRSC-2MDC	1/4" x 2"	TBURRSC-51DC		
9.5mm x 63mm	TBURRSC-3MDC	1/8" x 2"	TBURRSC-11DC		
11.0mm x 68mm	TBURRSC-4MDC	3/16" x 2"	TBURRSC-14DC		
12.7mm x 68mm	TBURRSC-5MDC	1/4" x 2"	TBURRSC-1DC		
16.0mm x 68mm	TBURRSC-6MDC	5/16" x 2-3/4"	TBURRSC-2DC		
19.0mm x 68mm	TBURRSC-7MDC	3/8" x 2-3/4"	TBURRSC-3DC		
		7/16" x 3"	TBURRSC-4DC		
		1/2" x 3"	TBURRSC-5DC		
		5/8" x 3"	TBURRSC-6DC		
		3/4" x 3"	TBURRSC-7DC		
		3/4" x 3"	TBURRSC-7DC		

### ALUMINIUM CUT WITH BALLNOSE

Ø x L	METRIC	Ø x L	IMPERIAL
6.0mm x 50mm	TBURRSC-1MAL	1/4" x 2"	TBURRSC-1AL
9.5mm x 63mm	TBURRSC-3MAL	3/8" x 2-3/4"	TBURRSC-3AL
12.7mm x 68mm	TBURRSC-5MAL	1/2" x 3"	TBURRSC-5AL
		5/8" x 3"	TBURRSC-6AL
		3/4" x 3"	TBURRSC-7AL

### BALL BURR

Ø x L	METRIC	Ø x L	IMPERIAL
3.0mm x 38mm	TBURRSD-42MDC	3/32" x 1-1/2"	TBURRSD-41DC
3.0mm x 50mm	TBURRSD-11MDC	1/8" x 1-1/2"	TBURRSD-42DC
6.0mm x 50mm	TBURRSD-1MDC	3/16" x 1-1/2"	TBURRSD-53DC
8.0mm x 50mm	TBURRSD-2MDC	1/4" x 1-11/64"	TBURRSD-51DC
9.5mm x 52mm	TBURRSD-3MDC	1/8" x 2"	TBURRSD-11DC
12.7mm x 54mm	TBURRSD-5MDC	3/16" x 2"	TBURRSD-14DC
16mm x 58mm	TBURRSD-6MDC	1/4" x 2"	TBURRSD-1DC
		5/16" x 2-1/4"	TBURRSD-2DC
		3/8" x 2-5/16"	TBURRSD-3DC
		7/16" x 2-3/8"	TBURRSD-4DC
		1/2" x 2-7/16"	TBURRSD-5DC
		5/8" x 2-9/16"	TBURRSD-6DC
		3/4" x 2-11/16"	TBURRSD-7DC
		1" x 2-15/16"	TBURRSD-9DC

### ALUMINIUM CUT WITH BALL BURR

Ø x L	METRIC	Ø x L	IMPERIAL
9.5mm x 52mm	TBURRSD-3MAL	1/4" x 2"	TBURRSD-1AL
12.7mm x 54mm	TBURRSD-5MAL	3/8" x 2-5/16"	TBURRSD-3AL
		1/2" x 2-7/16"	TBURRSD-5AL
		5/8" x 2-9/16"	TBURRSD-6AL

### BALL BURR LONG SERIES

Ø x L	METRIC	Ø x L	IMPERIAL
9.5mm x 161mm	TBURRSD-3ML6	1/4" x 6-1/8"	TBURRSD-1L6
12.7mm x 164mm	TBURRSD-5ML6	3/8" x 6-1/4"	TBURRSD-3L6
		1/2" x 6-3/8"	TBURRSD-5L6





OVAL BURR			
$\varnothing \times L$	METRIC	$\varnothing \times L$	IMPERIAL
6.3mm x 47mm	TBURRSE-51MDC	1/8" x 1-1/2"	TBURRSE-41DC
6.0mm x 50mm	TBURRSE-1MDC	3/16" x 1-1/2"	TBURRSE-53DC
9.5mm x 60mm	TBURRSE-3MDC	1/4" x 1-7/8"	TBURRSE-51DC
12.7mm x 65mm	TBURRSE-5MDC	1/4" x 2"	TBURRSE-1DC
		3/8" x 2-5/8"	TBURRSE-3DC
		1/2" x 2-7/8"	TBURRSE-5DC
		5/8" x 3"	TBURRSE-6DC
		3/4" x 3"	TBURRSE-7DC



ALUMINIUM CUT WITH OVAL BURR			
$\varnothing \times L$	METRIC	$\varnothing \times L$	IMPERIAL
9.5mm x 60mm	TBURRSE-3MAL	3/8" x 2-5/8"	TBURRSE-3AL
12.7mm x 66mm	TBURRSE-5MAL	1/2" x 2-7/8"	TBURRSE-5AL
		5/8" x 3"	TBURRSE-6AL



LONG SERIES WITH OVAL BURR			
$\varnothing \times L$	METRIC	$\varnothing \times L$	IMPERIAL
6.3mm x 111mm	TBURRSE-1ML4	1/4" x 4-3/8"	TBURRSE-1L4
12.7mm x 177mm	TBURRSE-5ML6	3/8" x 6-5/8"	TBURRSE-3L6
		1/2" x 6-7/8"	TBURRSE-5L6

TREE RADIUS NOSE BURR			
$\varnothing \times L$	METRIC	$\varnothing \times L$	IMPERIAL
6.3mm x 50mm	TBURRSF-51MDC	1/8" x 1-1/2"	TBURRSF-41DC
6.0mm x 50mm	TBURRSF-1MDC	1/8" x 1-1/2"	TBURRSF-42DC
9.5mm x 63mm	TBURRSF-3MDC	3/16" x 1-1/2"	TBURRSF-53DC
12.7mm x 68mm	TBURRSF-5MDC	1/4" x 2"	TBURRSF-51DC
16.0mm x 68mm	TBURRSF-6MDC	1/4" x 2"	TBURRSF-1DC
19.0mm x 68mm	TBURRSF-7MDC	3/8" x 2-3/4"	TBURRSF-3DC
16mm x 58mm	TBURRSD-6MDC	7/16" x 3"	TBURRSF-4DC
		1/2" x 2-3/4"	TBURRSF-13DC
		1/2" x 3"	TBURRSF-5DC
		5/8" x 3"	TBURRSF-6DC
		3/4" x 3-1/4"	TBURRSF-14DC
		3/4" x 3"	TBURRSF-7DC
		3/4" x 3-1/2"	TBURRSF-15DC



ALUMINIUM CUT WITH TREE RADIUS NOSE BURR			
$\varnothing \times L$	METRIC	$\varnothing \times L$	IMPERIAL
6.0mm x 50mm	TBURRSF-1MAL	1/2" x 2"	TBURRSF-1AL
9.5mm x 63mm	TBURRSF-3MAL	3/8" x 2-3/4"	TBURRSF-3AL
		1/2" x 3"	TBURRSF-5AL
		5/8" x 3"	TBURRSF-6AL



LONG SERIES WITH TREE RADIUS NOSE BURR			
$\varnothing \times L$	METRIC	$\varnothing \times L$	IMPERIAL
6.0mm x 163mm	TBURRSF-1ML6	1/4" x 6-1/2"	TBURRSF-1L6
9.5mm x 171mm	TBURRSF-3ML6	3/8" x 6-3/4"	TBURRSF-3L6
12.7mm x 177mm	TBURRSF-5ML6	1/2" x 7"	TBURRSF-5L6





## SG - TREE POINTED NOSE BURR

$\varnothing \times L$	METRIC	$\varnothing \times L$	IMPERIAL
6.3mm x 50mm	TBURRSG-51MDC	1/8" x 1-1/2"	TBURRSG-41DC
6.0mm x 50mm	TBURRSG-1MDC	1/8" x 1-1/2"	TBURRSG-42DC
8.0mm x 63mm	TBURRSG-2MDC	1/8" x 1-1/2"	TBURRSG-43DC
9.5mm x 63mm	TBURRSG-3MDC	1/8" x 1-1/2"	TBURRSG-44DC
12.7mm x 68mm	TBURRSG-5MDC	3/16" x 1-1/2"	TBURRSG-53DC
		1/4" x 2"	TBURRSG-51DC
		1/4" x 2"	TBURRSG-1DC
		5/16" x 2-3/4"	TBURRSG-2DC
		3/8" x 2-3/4"	TBURRSG-3DC
		1/2" x 2-3/4"	TBURRSG-13DC
		1/2" x 1"	TBURRSG-5DC
		5/8" x 1"	TBURRSG-6DC
		3/4" x 1"	TBURRSG-7DC

## SH - FLAME BURR

$\varnothing \times L$	METRIC	$\varnothing \times L$	IMPERIAL
8.0mm x 63mm	TBURRSH-2MDC	1/8" x 1-1/2"	TBURRSH-41DC
12.7mm x 75mm	TBURRSH-5MDC	1/8" x 1-1/2"	TBURRSH-53DC
16.0mm x 79mm	TBURRSH-6MDC	3/16" x 2-3/4"	TBURRSH-2DC
19.0mm x 84mm	TBURRSH-7MDC	1/4" x 3-1/4"	TBURRSH-5DC
		1/4" x 3-7/16"	TBURRSH-6DC
		5/16" x 3-5/8"	TBURRSH-7DC

## SL - ANGLE BURR

$\varnothing \times L$	METRIC	$\varnothing \times L$	IMPERIAL
6.0mm x 50mm	TBURRSL-1MDC	1/8" x 1-1/2"	TBURRSL-41DC
8.0mm x 66mm	TBURRSL-2MDC	1/8" x 1-1/2"	TBURRSL-42DC
9.5mm x 71mm	TBURRSL-3MDC	3/16" x 1-1/2"	TBURRSL-53DC
12.7mm x 72mm	TBURRSL-4MDC	1/4" x 2"	TBURRSL-1DC
		5/16" x 2-7/8"	TBURRSL-2DC
		3/8" x 3-1/16"	TBURRSL-3DC
		1/2" x 3-1/8"	TBURRSL-4DC
		5/8" x 3-5/16"	TBURRSL-6DC
		3/4" x 3-1/2"	TBURRSL-7DC

## SL - ANGLE BURR IMPERIAL

$\varnothing \times L$	LONG SERIES	$\varnothing \times L$	ALUMINIUM CUT	$\varnothing \times L$	DOUBLE ENDED
1/4" x 6-5/8"	TBURRSL-1L6	12.7 x 72	TBURRSL-4MAL	1/4" x 2"	TBURRSK-1SC
3/8" x 7	TBURRSL-3L6	3/8" x 3-1/16"	TBURRSL-3AL	3/8" x 2-5/16"	TBURRSK-3SC
1/2" x 7-1/8"	TBURRSL-4L6	1/2" x 3-1/8"	TBURRSL-4AL		
		5/8" x 3-5/16"	TBURRSL-6AL		

## SM - POINTED CONE BURR

## SM - INVERTED TAPPER BURR

$\varnothing \times L$	METRIC	$\varnothing \times L$	IMPERIAL	$\varnothing \times L$	METRIC	$\varnothing \times L$	IMPERIAL
4.7mm x 38mm	TBURRSM-53MDC	1/8" x 1-1/2"	TBURRSM-41DC	6.0mm x 50mm	TBURRSN-1MDC	1/8" x 1-1/2"	TBURRSN-42DC
6.0mm x 50mm	TBURRSM-1MDC	1/8" x 1-1/2"	TBURRSM-42DC			3/16" x 1-1/2"	TBURRSN-53DC
6.0mm x 50mm	TBURRSM-2MDC	1/8" x 1-1/2"	TBURRSM-43DC			1/4" x 1-3/4"	TBURRSN-51DC
6.0mm x 50mm	TBURRSM-3MDC	3/16" x 1-1/2"	TBURRSM-53DC			1/4" x 2"	TBURRSN-1DC
9.5mm x 60mm	TBURRSM-4MDC	1/4" x 2"	TBURRSM-51DC			3/8" x 2-3/8"	TBURRSN-2DC
12.7mm x 66mm	TBURRSM-5MDC	1/4" x 2"	TBURRSM-1DC			1/2" x 2-1/2"	TBURRSN-3DC
16.0mm x 68mm	TBURRSM-6MDC	1/4" x 2"	TBURRSM-2DC			1/2" x 2-1/2"	TBURRSN-4DC
		1/4" x 2"	TBURRSM-3DC			5/8" x 2-5/8"	TBURRSN-5DC
		3/8" x 2-5/8"	TBURRSM-4DC			5/8" x 2-3/4"	TBURRSN-6DC
		1/2" x 2-7/8"	TBURRSM-5DC				
		5/8" x 3"	TBURRSM-6DC				



CRC Coloured Zinc's unique formulation combines superior rust inhibiting properties of zinc with a tough but flexible enamel coating. The coloured satin finish comes in recognised safety colours which resists undercutting and blistering from corrosion by forming an effective corrosion barrier. MPI Approved C23.



CRC BLACK ZINC AEROSOL		
PART NO.	SIZE	PACK QTY
048000056	400ml	6

Recommended as a top coat for added corrosion control, on fabricated metals, engine parts, starter motors, radiators and much more. Coloured zincs are quick drying, primer less topcoats, reinforced with zinc complex.



CRC BLUE ZINC		
PART NO.	SIZE	PACK QTY
048000058	400ml	6

CRC Blue Zinc provides a satin top-coat finish but unlike standard paint systems, resists undercutting and blistering from corrosion by forming an effective corrosion barrier. Ideal for use on scaffolding, garage doors, warehouse racking, fabricated metals, agricultural & factory machinery.



CRC ORANGE ZINC AEROSOL		
PART NO.	SIZE	PACK QTY
048000344	400ml	6

Used on safety barriers, fork hoists, construction & mining equipment, fabricated metals and much more. High levels of anti-corrosive zinc complexes are embedded in a resin system which forms a quick-drying highly-protective enamel coating with excellent adhesion to bare metal.

CRC RED ZINC AEROSOL

PART NO.	SIZE	PACK QTY
048000398	400ml	6

CRC Coloured Zinc provides a satin top-coat finish but unlike standard paint systems, resists undercutting and blistering from corrosion by forming an effective corrosion barrier. Used on fabricated metals and surfaces where a red finish is desirable.



CRC YELLOW ZINC AEROSOL

PART NO.	SIZE	PACK QTY
048000495	400ml	6

CRC Yellow Zinc provides a satin top-coat finish but unlike standard paint systems, resists undercutting and blistering from corrosion by forming an effective corrosion barrier. Used on safety barriers, fork hoists, construction & mining equipment, fabricated metals and much more.



CRC CLEAR ZINC AEROSOL

PART NO.	SIZE	PACK QTY
048000614	400ml	6

CRC Clear Zinc's advanced protective coating technology protects surfaces from chemical, environmental and ultraviolet damage preventing rust, oxidation, corrosion, staining, and fading, for up to 27 months. CRC Clear Zinc is an easy to use, long lasting, high performance protective clear coating that can be applied to almost any surface.







CRC ZINC IT AEROSOL		
PART NO.	SIZE	PACK QTY
048000497	350g	6

Easy to apply, CRC ZINC IT is a single component zinc rich compound with a special epoxy binder and contains 93% of the highest purity zinc in the dried film, to give galvanic rust prevention. This galvanic rust protection offers the same advantages as hot-dip galvanizing.

CRC CDT CUTTING OIL AEROSOL

PART NO.	SIZE	PACK QTY
048000085	400ml	6

CRC CDT Cutting compounds are superior neat cutting, drilling tapping, and reaming lubricants, formulated for hand and machine cutting on all types of metal. They significantly reduce friction and wear, increase cutting speeds, protect and extend tool life, and ensure consistent, high quality surface finish. Recommended for metal cutting operations, drilling, tapping, reaming and general workshop applications.



CRC BRIGHT ZINC AEROSOL		
PART NO.	SIZE	PACK QTY
048000070	400ml	6

Quick dry coating that combines rust inhibiting properties of Zinc with a flexible enamel coating. CRC Bright Zinc provides a gloss top-coat finish but unlike standard paint systems, resists undercutting and blistering from corrosion. It is ideal for touch-up and repair of damaged galvanised surfaces and effective long-term rust protection with the bright look of a newly galvanised surface.

CRC CDT CUTTING LIQUID

PART NO.	SIZE	PACK QTY
048000086	5l	6

CRC CDT Cutting Liquid is a superior cutting, drilling, tapping, and reaming lubricant, formulated for hand and machine cutting on all types of metal. May also be used as an extreme pressure additive booster for standard neat cutting oils, and for difficult cutting operations such as broaching and gear manufacturing on the toughest metals. NZSFA Approved C12.



CRC SILICONE AEROSOL 808		
PART NO.	SIZE	PACK QTY
048000018	500mls	6

CRC 808 Silicone is a multi-purpose silicone spray for general lubrication. It leaves a thin, clear, odourless film that lubricates, waterproofs and revives without damaging treated surfaces or leaving stains. CRC 808 Silicone eliminates squeaking and binding caused by friction and is ideal for use on metals, plastics, rubber, fabrics, wood, glass, and painted surfaces.

CRC 5.56 INDUSTRIAL

PART NO.	SIZE	PACK QTY
048000014	550mls	6

CRC 5.56 Industrial is a high performance variant of CRC 5.56 fortified with PTFE for additional lubricating performance and non-flammable making it safe for use in industrial applications. The presence of PTFE provides effective lubrication and performs extremely well when frequent start/stop or alternating movements occur. Superior penetrating power breaks through rust and corrosion, loosens rusted parts, displaces water from wet equipment and cleans away scale and dirt.





CRC Industrial Food Grade products have been developed to conform with the highest standards of relevant food authorities, including MPI, NZ AsureQuality and NSF International. CRC Industries follows strict guidelines in all areas of research, development and production, making CRC Food Grade range The Professional's Choice.



CRC FOOD GRADE 5.56		
PART NO.	SIZE	PACK QTY
048000183	400ml	6

A multi-use product ideal for the food industry CRC Food Grade 5.56 Lubricant Aerosol is an effective and efficient multi-use product that penetrates, lubricates and loosens rusted parts, prevents corrosion and displaces moisture. The highly refined white mineral oil forms a thin film that lubricates moving parts for smooth action and silences annoying squeaks and squeals.



CRC FOOD GRADE MACHINE OIL		
PART NO.	SIZE	PACK QTY
048000200	312gm	6

CRC Food Grade Machine Oil is a highly refined machine oil engineered to provide exceptional lubrication characteristics and high levels of wear and corrosion protection. For use in circulation systems lubricating gears and bearings on all food processing equipment.



CRC FOOD GRADE SILICONE		
PART NO.	SIZE	PACK QTY
048000205	300gm	6

CRC Food Grade Silicone is a multi-purpose dry film silicone lubricant for use on food processing and handling equipment. It forms a colourless, odourless film that does not attract dust or product debris. It lubricates and protects in most metal and non metal applications without damaging treated surfaces.

CRC FOODGRADE WHITE CHAIN & DRIVE LUBE

PART NO.	SIZE	PACK QTY
048000231	400ml	6

CRC Food Grade White Chain & Drive Lube is an extreme pressure lubricant formulated with PTFE for heavy-duty lubrication of chains, pins and sprockets. The high viscosity lubricant with excellent adhesive properties forms a tough film that remains in place during extreme wear without risking contamination of food and other clean environments. Recommended for use as a lubricant and corrosion inhibitor on conveyor chains, packaging equipment, hoist chains, link and roller assemblies and forklift trucks.



CRC FOODGRADE DRY LUBE

PART NO.	SIZE	PACK QTY
048000230	400ml	6

CRC Food Grade Dry Lube is ideal for sliding mechanisms and on extreme heavy loads to reduce wear and prevent galling or seizing. For mechanisms that are operated at infrequent intervals or are lubricated for life. Wide temperature range from -20°C to +250°C. MPI Approved C15. CRC Food Grade Dry Lube is ideal for sliding mechanisms and on extreme heavy loads to reduce wear and prevent galling or seizing.



CRC SILICONE AEROSOL 5.56

PART NO.	SIZE	PACK QTY
048000005	550mls	6

CRC 5.56 forms a thin film that lubricates moving parts for smooth action and silences annoying squeaks and squeals. Superior penetrating power breaks through rust and corrosion, loosens rusted parts, displaces water from wet equipment and cleans away scale and dirt. It protects metals from corrosion caused by humidity, salt air and other corrosive atmospheres.





CRC AEROSOL BRAKLEEN		
PART NO.	SIZE	PACK QTY
048000062	600gm	6

CRC Brakleen Brake and Parts Cleaner formulated to quickly and safely remove brake fluid, grease, oil and other contaminant from brake linings, pads, drums and callipers. Recommended for the cleaning and effective removal of grease and oil from mechanical brake linings, drums, brake shoes, disc brake pads, discs, wedge brakes, springs, callipers, clutches, clutch discs, chains, wire ropes, dies, moulds, parts and bearings.



CRC PAINT MARKER PEN		
PART NO.	COLOUR	PACK QTY
048000358	BLACK	6
048000359	BLUE	6
048000360	GOLD	6
048000361	GREEN	6
048000362	ORANGE	6
048000363	RED	6
048000364	SILVER	6
048000365	WHITE	6
048000366	YELLOW	6

CRC Paint Marker Pen uses solvent based paint formula for durable marking on multiple surfaces in all weather conditions. It shows excellent coverage and is an ideal product for every toolbox. Fast drying and can be used on Wood, metal, concrete, stone, bricks, rubber, glass, textile, paper, enamel, plastic, cardboard, some tiles, etc.



Norton Quick Change discs are ideal for sanding small surface areas. These small abrasive discs are available in different sizes and grades and perfect for general use applications, including blending, breaking edges, removing parting lines and machine marks. Essential for the tool box.

ORANGE FIBRE DISC F980			
PART NO.	SIZE	GRIT	PACK QTY
036500244	115 x 22mm	P36	12
036500245	115 x 22mm	P60	12
036500246	115 x 22mm	P80	12
036500247	115 x 22mm	P120	12
036500248	125 x 22mm	P24	12
036500249	125 x 22mm	P36	12
036500250	125 x 22mm	P60	12
036500251	125 x 22mm	P80	12
036500252	125 x 22mm	P120	12
036500253	180 x 22mm	P24	12
036500254	180 x 22mm	P36	12
036500255	180 x 22mm	P60	12



**Benefits:**

- Enhanced grain retention for longer product life & aggression.
- Increase of cut rate and life over competitive/blended/low ratio ceramic alumina disc.
- Reduced loading and glazing on stainless steel, heat, titanium and super alloy.
- Norton Fibre discs feature a full resin bond system with heavy duty fibre backing for increased strength, durability and tear resistance.
- Great for Welding foundry and transport markets, metal fabrication and those doing weld grinding, light deburring and material removal.

CERAMIC RAPID STRIP DEPRESSED CENTRE		
PART NO.	SIZE	PACK QTY
036500343	100 x 16mm	12
036500344	115 x 22mm	12
036500345	125 x 22mm	12
036500346	180 X 22mm	12



The Norton Blaze Rapid Stripping discs can be used for multiple applications, from heavy corrosion and rust removal, to thick coatings on metal components.


**Benefits include:**

- It does not shed on rust encrusted pieces.
- Does not load and clog with soft metals, sticky coating or adhesives.
- Rapid and efficiently stripping and cleaning.
- Will not damage the metal surface.
- Norton Blaze is also ideal as a paint stripping disc.







The Maxabrase range of cutting and grinding discs are made to perform when cutting and grinding mild-steel and stainless steel. Tested under European testing criteria and manufactured to meet EN 12413 Standards you can have confidence when using Maxabrase discs for your next job. Long lasting, with a fibreglass backing, these are a must have for your tool kit.




GOLD SERIES CUTTING DISCS			
PART NO.	SIZE	MAX RPM	PACK QTY
036503065	75 x 1.0mm	20,370	25
036503064	100 x 1.0mm	15,300	25
036503063	115 x 1.0mm	13,300	25
036503062	115 x 1.6mm	13,300	25
036503061	125 x 1.0mm	12,250	25
036503060	125 x 1.6mm	12,250	25
036503086	125 x 2.5mm	12,250	25
036503058	180 x 1.6mm	8,500	25
036503057	180 x 2.5mm	8,500	25
036503056	230 x 1.9mm	6,650	25

- High quality Stainless steel grade cutting discs.
- Lower machine load extends tool life.
- Narrow cutting joints.
- Stainless steel and general metal cutting.
- Xtra Life, Xtra Balance, OSA Approved.






SILVER SERIES CUTTING DISCS			
PART NO.	SIZE	MAX RPM	PACK QTY
036503055	100 x 1.0mm	15,300	50
036503054	100 x 2.4mm	15,300	50
036503053	115 x 1.0mm	13,300	50
036503050	125 x 1.0mm	12,250	50
036503048	125 x 1.6mm	12,250	50
036503059	125 x 2.5mm	12,250	50
036503092	180 x 2.0mm	8,500	25
036503045	230 x 2.0mm	6,650	25
036503044	230 x 2.4mm	6,650	25
036503043	300 x 4.0mm	6,400	10
036503042	355 x 2.8mm	4,350	10
036503041	400 x 4.0mm	4,800	5


- Excellent quality Stainless Steel grade cutting disc.
- MPA tested in Hanover Germany.
- Manufactured to EN12413 Standards.
- Well balanced discs.





SILVER SERIES FLAP DISCS				
PART NO.	SIZE	GRIT	MAX RPM	PACK QTY
036503018	100mm	Z40	15,300	10
036503017	100mm	Z60	15,300	10
036503016	100mm	Z80	15,300	10
036503019	100mm	Z120	15,300	10
036503014	115mm	Z40	13,300	10
036503013	115mm	Z60	13,300	10
036503012	115mm	Z80	13,300	10
036503015	115mm	Z120	13,300	10
036503010	125mm	Z40	12,250	10
036503009	125mm	Z60	12,250	10
036503008	125mm	Z80	12,250	10
036503011	125mm	Z120	12,250	10
036503006	178mm	Z40	8,500	10
036503005	178mm	Z60	8,500	10
036503004	178mm	Z80	8,500	10
036503007	178mm	Z120	8,500	10

- The ultimate performer on mild steel and stainless steel.
- Up to 15% more abrasive than other brands.
- Type 29 (15%) style with built-in grinding angle.
- Genuine Zirconia abrasive, grind and sand in one step.
- Strong fibreglass backing wears as disc is consumed.



SILVER SERIES GRINDING DISCS			
PART NO.	SIZE	MAX RPM	PACK QTY
036503093	100 x 6.0mm	15,300	10
036502947	115 x 6.0mm	13,300	10
036502946	125 x 6.0mm	12,250	10
036502945	180 x 6.0mm	8,500	10
036503094	230 x 6.0mm	6,650	10



- High Quality industrial grade grinding discs.
- MPA Tested in Hannover Germany.
- Manufactured to EN12413 Standards.
- Depressed centre, suitable for all general purpose grinding.
- Well balanced and long lasting.



# ENGINEERING SUPPLIES

<u>Key Steel</u>	<u>340-341</u>
<u>Grease Nipple</u>	<u>342</u>
<u>Cotter/Split Pins</u>	<u>343-345</u>
<u>Hose Clamps</u>	<u>346-349</u>
<u>T-Bolt Clamps</u>	<u>350-351</u>





Ø x L	BLACK	304 STAINLESS	316 STAINLESS
1mm x 1mm	KS1X1	KS1X1SS	
3mm x 3mm	KS3X3		
4mm x 4mm	KS4X4	KS4X4SS	
5mm x 5mm	KS5X5	KS5X5SS	
6mm x 6mm	KS6X6	KS6X6SS	
7mm x 7mm	KS7X7		
8mm x 7mm	KS8X7	KS8X7SS	
8mm x 8mm	KS8X8	KS8X8SS	
10mm x 8mm	KS10X8	KS10X8SS	
10mm x 10mm	KS10X10	KS10X10SS	
12mm x 8mm	KS12X8	KS12X8SS	
12mm x 10mm	KS12X10	KS12X10SS	
12mm x 12mm	KS12X12	KS12X12SS	
14mm x 9mm	KS14X9	KS14X9SS	
14mm x 14mm	KS14X14	KS14X14SS	
15mm x 10mm	KS15X10		
15mm x 15mm	KS15X15		
16mm x 10mm	KS16X10	KS16X10SS	
16mm x 16mm	KS16X16	KS16X16SS	
18mm x 11mm	KS18X11	KS18X11SS	
18mm x 12mm	KS18X12		
18mm x 18mm	KS18X18		
20mm x 12mm	KS20X12	KS20X12SS	
20mm x 13mm	KS20X13		
20mm x 20mm	KS20X20		KS20X20SS
22mm x 14mm	KS22X14		
22mm x 22mm	KS22X22		
24mm x 16mm	KS24X16		
24mm x 24mm	KS24X24		
25mm x 14mm	KS25X14		
25mm x 25mm	KS25X25		KS25X25SS
28mm x 16mm	KS28X16		
28mm x 18mm	KS28X18		
32mm x 18mm	KS32X18		
32mm x 20mm	KS32X20		
36mm x 20mm	KS36X20		
40mm x 22mm	KS40X22		

\*300mm LONG

Ø x L	BLACK	304 STAINLESS	316 STAINLESS
1/8"X1/8"	KS1/8X1/8		
3/16"X3/16"	KS3/16X3/16	KS3/16X3/16SS	
1/4"X1/4"	KS1/4X1/4	KS1/4X1/4SS	
5/16"X5/16"	KS5/16X5/16	KS5/16X5/16SS	
3/8"X1/4"	KS3/8X1/4		
3/8"X5/16"	KS3/8X5/16		
3/8"X3/8"	KS3/8X3/8	KS3/8X3/8SS	
7/16"X7/16"	KS7/16X7/16		
1/2"X3/8"	KS1/2X3/8		
1/2"X1/2"	KS1/2X1/2	KS1/2X1/2SS	
9/16"X9/16"	KS9/16X9/16		
5/8"X1/2"	KS5/8X1/2		
5/8"X5/8"	KS5/8X5/8	KS5/8X5/8SS	
3/4"X3/4"	KS3/4X3/4	KS3/4X3/4SS	
7/8"X7/8"	KS7/8X7/8		KS7/8X7/8SS
1-1/8"X1-1/8"	KS1-1/8X1-1/8		
1-1/4"X1-1/4"	KS1-1/4X1-1/4		
1-3/8"X1-3/8"	KS1-3/8X1-3/8		
1-1/2"X1-1/2"	KS1-1/2X1-1/2		
1"x1"			KS1X1SS

\*300mm LONG





# GREASE NIPPLE

# SPLIT PIN



Ø	ANGLE	ZINC	304 STAINLESS	ZINC	304 STAINLESS
		METRIC		METRIC FINE	
6mm	35°	GN6X1-35			
6mm	45°	GN6X1-45	GN6X1-45SS		
6mm	90°	GN6X1-90	GN6X1-90SS		
6mm	ST	GN6X1-ST	GN6X1-STSS		

8mm	45°	GN8X1-45	GN8X1-45SS	GN8X1.25-45	GN8X1.25-45SS
8mm	67°			GN8X1.25-67	
8mm	90°	GN8X1-90	GN8X1-90SS	GN8X1.25-90	GN8X1.25-90SS
8mm	ST	GN8X1-ST	GN8X1-STSS	GN8X1.25-ST	GN8X1.25-STSS

10mm	45°	GN10X1-45	GN10X1-45SS	GN10X1.5-45	
10mm	90°	GN10X1-90	GN10X1-90SS	GN10X1.5-90	
10mm	ST	GN10X1-ST	GN10X1-STSS	GN10X1.5-ST	



Ø	ANGLE	ZINC	304 STAINLESS	ZINC	304 STAINLESS	ZINC
		UNF		BSP		BSF
1/8"	45°			GN1/8BSP45	GN1/8BSP45SS	
1/8"	67°			GN1/8BSP67		
1/8"	90°			GN1/8BSP90	GN1/8BSP90SS	
1/8"	ST			GN1/8BSPST	GN1/8BSPSTSS	

1/4"	45°	GN1/4UNF45	GN1/4UNF45SS	GN1/4BSP45	GN1/4BSP45SS	
1/4"	67°	GN1/4UNF67				GN1/4BSF67
1/4"	90°	GN1/4UNF90	GN1/4UNF90SS	GN1/4BSP90	GN1/4BSP90SS	GN1/4BSF90
1/4"	ST	GN1/4UNFST	GN1/4UNFSTSS	GN1/4BSPST	GN1/4BSPSTSS	GN1/4BSFST

5/16"	45°	GN5/16UNF45				
5/16"	67°					
5/16"	90°	GN5/16UNF90				GN5/16BSF90
5/16"	ST	GN5/16UNFST				GN5/16BSFST



Ø	LENGTH	ZINC	304 STAINLESS
		METRIC	
1mm	12mm		SP1X12A2
1mm	16mm		SP1X16A2
1mm	20mm		SP1X20A2

1.2mm	12mm		SP1.2X12A2
1.2mm	20mm		SP1.2X20A2

1.6mm	12mm		SP1.6X12A2
1.6mm	16mm		SP1.6X16A2
1.6mm	20mm	SP1.6X20Z	SP1.6X20A2
1.6mm	25mm	SP1.6X25Z	SP1.6X25A2
1.6mm	32mm	SP1.6X32Z	SP1.6X32A2
1.6mm	36mm		SP1.6X36A2
1.6mm	40mm	SP1.6X40Z	SP1.6X40A2
1.6mm	50mm	SP1.6X50Z	

2mm	12mm		SP2X12A2
2mm	16mm		SP2X16A2
2mm	20mm	SP2.0X20Z	SP2X20A2
2mm	25mm	SP2.0X25Z	SP2X25A2
2mm	32mm	SP2.0X32Z	SP2X32A2
2mm	36mm		SP2X36A2
2mm	40mm	SP2.0X40Z	SP2X40A2
2mm	45mm	SP2.0X45Z	
2mm	50mm	SP2.0X50Z	SP2X50A2

2.5mm	12mm		SP2.5X12A2
2.5mm	16mm		SP2.5X16A2
2.5mm	20mm	SP2.5X20Z	SP2.5X20A2
2.5mm	25mm	SP2.5X25Z	SP2.5X25A2
2.5mm	32mm	SP2.5X32Z	SP2.5X32A2
2.5mm	40mm	SP2.5X40Z	SP2.5X40A2
2.5mm	45mm	SP2.5X45Z	
2.5mm	50mm	SP2.5X50Z	SP2.5X50A2
2.5mm	63mm	SP2.5X63Z	

2.8mm	50mm	SP2.8X50Z	
-------	------	-----------	--



Ø	LENGTH	ZINC	304 STAINLESS
3.2mm	10mm		SP3.2X10A2
3.2mm	12mm		SP3.2X12A2
3.2mm	16mm		SP3.2X16A2
3.2mm	20mm	SP3.2X20Z	SP3.2X20A2
3.2mm	25mm	SP3.2X25Z	SP3.2X25A2
3.2mm	32mm	SP3.2X32Z	SP3.2X32A2
3.2mm	40mm	SP3.2X40Z	SP3.2X40A2
3.2mm	45mm	SP3.2X45Z	SP3.2X45A2
3.2mm	50mm	SP3.2X50Z	SP3.2X50A2
3.2mm	63mm	SP3.2X63Z	SP3.2X63A2
3.2mm	80mm	SP3.2X80Z	

3.6mm	50mm	SP3.6X50Z	
-------	------	-----------	--

4mm	16mm		SP4X16A2
4mm	20mm	SP4.0X20Z	SP4X20A2
4mm	25mm	SP4.0X25Z	SP4X25A2
4mm	32mm	SP4.0X32Z	SP4X32A2
4mm	40mm	SP4.0X40Z	SP4X40A2
4mm	45mm	SP4.0X45Z	SP4X45A2
4mm	50mm	SP4.0X50Z	SP4X50A2
4mm	63mm	SP4.0X63Z	SP4X63A2
4mm	80mm	SP4.0X80Z	SP4X80A2
4mm	90mm		SP4X90A2

5mm	16mm		SP5X16A2
5mm	20mm		SP5X20A2
5mm	25mm	SP5.0X25Z	SP5X25A2
5mm	32mm	SP5.0X32Z	SP5X32A2
5mm	36mm		SP5X36A2
5mm	40mm	SP5.0X40Z	SP5X40A2
5mm	45mm		SP5X45A2
5mm	50mm	SP5.0X50Z	SP5X50A2
5mm	63mm	SP5.0X63Z	SP5X63A2
5mm	71mm		SP5X71A2
5mm	80mm	SP5.0X80Z	SP5X80A2
5mm	100mm		SP5X100A2

Ø	LENGTH	ZINC	304 STAINLESS
6.3mm	25mm		SP6.3X25A2
6.3mm	32mm		SP6.3X32A2
6.3mm	40mm	SP6.3X40Z	SP6.3X40A2
6.3mm	50mm	SP6.3X50Z	SP6.3X50A2
6.3mm	63mm	SP6.3X63Z	SP6.3X63A2
6.3mm	80mm	SP6.3X80Z	SP6.3X80A2
6.3mm	100mm	SP6.3X100Z	SP6.3X100A2

8mm	50mm	SP8.0X50Z	SP8X50A2
8mm	63mm	SP8.0X63Z	SP8X63A2
8mm	80mm	SP8.0X80Z	SP8X80A2
8mm	100mm	SP8.0X100Z	SP8X100A2

10mm	63mm	SP10X63Z	
10mm	80mm	SP10X80Z	
10mm	100mm	SP10X100Z	
10mm	150mm	SP10X150Z	

13mm	80mm	SP13X80Z	
13mm	100mm	SP13X100Z	





S/S PERFORATED BAND ZP SCREW	
SIZE RANGE	CODE
17-38mm	HACH-HS016P
11-25mm	HACH-HS008P
115-164mm	HACH-HS096P
14-27mm	HACH-HS010P
14-32mm	HACH-HS012P
19-44mm	HACH-HS020P
27-51mm	HACH-HS024P
33-57mm	HACH-HS028P
40-64mm	HACH-HS032P
46-70mm	HACH-HS036P
52-76mm	HACH-HS040P
59-83mm	HACH-HS044P
65-89mm	HACH-HS048P
71-95mm	HACH-HS052P
78-102mm	HACH-HS056P
84-108mm	HACH-HS060P
9.5-22mm	HACH-HS006P
90-114mm	HACH-HS064P
103-127mm	HACH-HS072P
106-152mm	HACH-HS088P
117-140mm	HACH-HS080P
125-146mm	HACH-HS084P
133-170mm	HACH-HS104P
6-16mm	HACH-MH004P
11-18mm	HACH-MH005P
8-22mm	HACH-MH006P
11-25mm	HACH-MH008P
13-27mm	HACH-MH010P
14-32mm	HACH-MH012P

S/S 301 PERFORATED BAND S/S 305 SCREW			
SIZE RANGE	CODE	SIZE RANGE	CODE
6-16mm	HACH-MAH004P	46-70mm	HACH-HAS036P
11-18mm	HACH-MAH005P	52-76mm	HACH-HAS040P
11-22mm	HACH-MAH006P	59-83mm	HACH-HAS044P
13-25mm	HACH-MAH008P	65-89mm	HACH-HAS048P
13-27mm	HACH-MAH010P	71-95mm	HACH-HAS052P
14-32mm	HACH-MAH012P	78-102mm	HACH-HAS056P
18-38mm	HACH-MAH016P	84-108mm	HACH-HAS060P
22-45mm	HACH-MAH020P	90-114mm	HACH-HAS064P
33-51mm	HACH-MAH024P	103-127mm	HACH-HAS072P
40-57mm	HACH-MAH028P	106-152mm	HACH-HAS088P
59-76mm	HACH-MAH040P	115-164mm	HACH-HAS096P
52-70mm	HACH-MAH036P	117-140mm	HACH-HAS080P
46-64mm	HACH-MAH032P	125-146mm	HACH-HAS084P
11-22mm	HACH-HAS006P	133-170mm	HACH-HAS104P
11-25mm	HACH-HAS008P	146-197mm	HACH-HAS116
14-27mm	HACH-HAS010P	175-217mm	HACH-HAS128
14-32mm	HACH-HAS012P	181-225mm	HACH-HAS136
19-44mm	HACH-HAS020P	206-251mm	HACH-HAS152B
21-38mm	HACH-HAS016P	222-273mm	HACH-HAS164
27-51mm	HACH-HAS024P	260-311mm	HACH-HAS188B
33-57mm	HACH-HAS028P	298-349mm	HACH-HAS212
40-64mm	HACH-HAS032P		







S/S 316 PERFORATED BAND S/S 316 SCREW

SIZE RANGE	CODE
40-64mm	HACH-H316-032P
46-70mm	HACH-H316-036P
59-83mm	HACH-H316-044P
65-89mm	HACH-H316-048P
71-95mm	HACH-H316-052
90-114mm	HACH-H316-064P
133-178mm	HACH-H316-104P



S/S 430 SOLID BAND ZP SCREW

SIZE RANGE	CODE
14-27mm	HACH-SHS010P
18-32mm	HACH-SHS012P
21-38mm	HACH-SHS016P
24-44mm	HACH-SHS020P
27-51mm	HACH-SHS024P
33-57mm	HACH-SHS028P
40-64mm	HACH-SHS032P
46-70mm	HACH-SHS036P

SMPC 9.5-12MM SS NON-PERFORATED BAND (BLUE)

SIZE RANGE	CODE
9.5-12mm	HAHC-SMPC000P
11-16mm	HAHC-SMPCM00P
13-20mm	HAHC-SMPC00P
16-24mm	HAHC-SMPC0AP
16-27mm	HAHC-SMPC0P
22-32mm	HAHC-SMPC1AP
22-38mm	HAHC-SMPC1P
30-42mm	HAHC-SMPC1XP
35-48mm	HAHC-SMPC2AP
35-53mm	HAHC-SMPC2P
40-57mm	HAHC-SMPC2XP
52-70mm	HAHC-SMPC3P
65-90mm	HAHC-SMPC4P
85-110mm	HAHC-SMPC5P
105-130mm	HAHC-SMPC6P
130-155mm	HAHC-SMPC7P
155-180mm	HAHC-SMPC8P
180-205mm	HAHC-SMPC9P
255-280mm	HAHC-SMPC12P





T-BOLT CLAMP STAINLESS BAND ZP BOLT			
SIZE RANGE	CODE	SIZE RANGE	CODE
17-19mm	HAHC-TTBY17-19P	74-79mm	HAHC-TTBY74-79P
18-20mm	HAHC-TTBY18-20P	77-82mm	HAHC-TTBY77-82P
20-22mm	HAHC-TTBY20-22P	80-85mm	HAHC-TTBY80-85P
21-23mm	HAHC-TTBY21-23P	83-88mm	HAHC-TTBY83-88P
23-25mm	HAHC-TTBY23-25P	86-91mm	HAHC-TTBY86-91P
24-26mm	HAHC-TTBY24-26P	89-94mm	HAHC-TTBY89-94P
26-28mm	HAHC-TTBY26-28P	92-97mm	HAHC-TTBY92-97P
27-29mm	HAHC-TTBY27-29P	95-100mm	HAHC-TTBY95-100P
29-31mm	HAHC-TTBY29-31P	98-103mm	HAHC-TTBY98-103P
30-33mm	HAHC-TTBY30-33P	101-107mm	HAHC-TTBY101-107P
32-35mm	HAHC-TTBY32-35P	104-112mm	HAHC-TTBY104-112P
34-37mm	HAHC-TTBY34-37P	108-116mm	HAHC-TTBY108-116P
36-39mm	HAHC-TTBY36-39P	113-121mm	HAHC-TTBY113-121P
38-41mm	HAHC-TTBY38-41P	117-125mm	HAHC-TTBY117-125P
40-43mm	HAHC-TTBY40-43P	122-130mm	HAHC-TTBY122-130P
42-45mm	HAHC-TTBY42-45P	126-134mm	HAHC-TTBY126-134P
44-47mm	HAHC-TTBY44-47P	131-139mm	HAHC-TTBY131-139P
46-49mm	HAHC-TTBY46-49P	140-148mm	HAHC-TTBY140-148P
48-51mm	HAHC-TTBY48-51P	149-161mm	HAHC-TTBY149-161P
50-53mm	HAHC-TTBY50-53P	162-174mm	HAHC-TTBY162-174P
52-55mm	HAHC-TTBY52-55P	175-187mm	HAHC-TTBY175-187P
54-57mm	HAHC-TTBY54-57P	188-200mm	HAHC-TTBY188-200P
56-59mm	HAHC-TTBY56-59P	201-213mm	HAHC-TTBY201-213P
58-61mm	HAHC-TTBY58-61P	214-226mm	HAHC-TTBY214-226P
60-63mm	HAHC-TTBY60-63P	227-239mm	HAHC-TTBY227-239P
62-65mm	HAHC-TTBY62-65P	240-252mm	HAHC-TTBY240-252P
64-67mm	HAHC-TTBY64-67P	266-248mm	HAHC-TTBY266-278P
66-70mm	HAHC-TTBY66-70P	279-291mm	HAHC-TTBY279-291P
68-73mm	HAHC-TTBY68-73P	292-304mm	HAHC-TTBY292-304P
71-76mm	HAHC-TTBY71-76P		

T-BOLT CLAMP STAINLESS BAND STAINLESS BOLT			
SIZE RANGE	CODE	SIZE RANGE	CODE
17-19mm	HAHC-TTBS17-19P	74-79mm	HAHC-TTBS74-79P
18-20mm	HAHC-TTBS18-20P	77-82mm	HAHC-TTBS77-82P
20-21mm	HAHC-TTBS20-22P	80-85mm	HAHC-TTBS80-85P
21-23mm	HAHC-TTBS21-23P	83-88mm	HAHC-TTBS83-88P
23-25mm	HAHC-TTBS23-25P	86-91mm	HAHC-TTBS86-91P
24-26mm	HAHC-TTBS24-26P	89-94mm	HAHC-TTBS89-94P
26-28mm	HAHC-TTBS26-28P	92-97mm	HAHC-TTBS92-97P
27-29mm	HAHC-TTBS27-29P	95-100mm	HAHC-TTBS95-100P
29-31mm	HAHC-TTBS29-31P	98-103mm	HAHC-TTBS98-103P
30-33mm	HAHC-TTBS30-33P	101-107mm	HAHC-TTBS101-107P
32-35mm	HAHC-TTBS32-35P	104-112mm	HAHC-TTBS104-112P
34-37mm	HAHC-TTBS34-37P	113-121mm	HAHC-TTBS113-121P
36-39mm	HAHC-TTBS36-39P	117-125mm	HAHC-TTBS117-125P
38-41mm	HAHC-TTBS38-41P	126-134mm	HAHC-TTBS126-134P
40-43mm	HAHC-TTBS40-43P	122-130mm	HAHC-TTBS122-130P
42-45mm	HAHC-TTBS42-45P	131-139mm	HAHC-TTBS131-139P
44-47mm	HAHC-TTBS44-47P	140-148mm	HAHC-TTBS140-148P
46-49mm	HAHC-TTBS46-49P	149-161mm	HAHC-TTBS149-161P
48-51mm	HAHC-TTBS48-51P	162-174mm	HAHC-TTBS162-174P
50-53mm	HAHC-TTBS50-53P	175-187mm	HAHC-TTBS175-187P
52-55mm	HAHC-TTBS52-55P	188-200mm	HAHC-TTBS188-200P
54-57mm	HAHC-TTBS54-57P	201-213mm	HAHC-TTBS201-213P
56-59mm	HAHC-TTBS56-59P	227-239mm	HAHC-TTBS227-239P
58-61mm	HAHC-TTBS58-61P	240-252mm	HAHC-TTBS240-252P
60-63mm	HAHC-TTBS60-63P	253-265mm	HAHC-TTBS253-265P
62-65mm	HAHC-TTBS62-65P	266-278mm	HAHC-TTBS266-278P
64-67mm	HAHC-TTBS64-67P	292-304mm	HAHC-TTBS292-304P
66-70mm	HAHC-TTBS66-70P	279-291mm	HAHC-TTBS279-291P
68-73mm	HAHC-TTBS68-73P	214-226mm	HAHC-TTBS214-226P
71-76mm	HAHC-TTBS71-76P		





# TECHNICAL DATA

<u>Metric/Imperial Tables</u>	354-355
<u>Euroboor Technical Data</u>	356-357
<u>DIN Table</u>	358
<u>Tensile Table</u>	359
<u>Product Image Chart</u>	360-363



# IMPERIAL METRIC TABLE

METRIC - APPROX	METRIC - PRECISE	SCREW GAUGE	STANDARD WIRE GAUGE	SHEET GAUGE	RIVET NO. (DIAMETER)	INCH - DECIMAL	INCH - FRACTION	DRILLS USED FOR RIVETS
1	0.996			20		0.039		
1.2	1.22		18			0.048		
1.2	1.257			18		0.050		
1.6	1.587			16		0.0625	1/16	
1.6	1.63		16			0.064		
1.8	1.83		15			0.072		
2	1.994			14		0.079		
2	2.03		14			0.080		
2.4	2.381				3	0.0938	3/32	
2.5	2.517			12		0.099		
2.7	2.743	4				0.108		
3	3.099	5				0.122		
3.2	3.175			10	4	0.125	1/8	
	3.264					0.129		30
3.5	3.454	6				0.136		
3.8	3.81	7				0.150		
4	3.968				5	0.156	5/32	
	4.089					0.161		20
4.2	4.166	8				0.164		
	4.521	9				0.178		
4.8	4.762				6	0.187	3/16	
4.8	4.826	10				0.190		
	4.851					0.191		11
5.6	5.588	12				0.220		
6.3	6.299	14				0.248		
6.4	6.35				8	0.250	1/4	
	6.807	16				0.268		
	7.722	18				0.304		
8	7.937				10	0.312	5/16	
9.5	9.525				12	0.375	3/8	
11	11.11					0.4375	7/16	
12 or 13	12.7					0.500	1/2	
14	14.29					0.562	9/16	
16	15.88					0.625	5/8	
19 or 20	19.05					0.750	3/4	
22	22.23					0.875	7/8	
25	25.4					1.000	1"	
28	28.575					1.125	1 - 1/8	
32	31.75					1.250	1 - 1/4	
38	38.1					1.500	1 - 1/2	
45	44.45					1.750	1 - 3/4	
50	50.8					2.0	2"	
63	63.5					2.5	2 - 1/2	
75	76.2					3.0	3"	
100	101.6					4.0	4"	
115	114.3					4.5	4 - 1/2	
125	127.0					5.0	5"	
150	152.4					6.0	6"	

### Notes on gauges:

There are different gauge series for Screws, for sheet-metal, for Wire, for Rivets and for Drill Bits. There is no correlation between them. For Screws, the gauge is the major diameter of the thread. For Washers, it is the thickness of the metal (sheet gauge). For Nails, Brads, and Staples, it is the wire size (SWG) from which the item was formed.

A/F	THREAD DIAMETER AND PITCH TABLE													
METRIC	METRIC THREADS						IMPERIAL THREADS - PITCH IN THREADS PER INCH (TPI)							
COARSE		PITCH IN mm PER THREAD			MAJOR DIAMETER		UNIFIED (AMERICAN)				BRITISH			
BOLT HEADS	SIZE	ISO COARSE	FINE	EXTRA FINE	mm	INCH	SIZE	UNC	UNF	UNS	UN8	BSW	BSF	
					1.524	0.060	# 0		80					
3.2	M1.6	0.35	0.2		1.600	0.063								
					1.854	0.073	# 1		72					
4	M2	0.4	0.25		2.000	0.079								
					2.184	0.086	# 2	56	64					
5	M2.5	0.45			2.500	0.098								
					2.515	0.099	# 3	48	56					
					2.845	0.112	# 4	40	48					
5.5	M3	0.5	0.35		3.000	0.118								
					3.175	0.125	1/8" = # 5	40	44			40		
6	M3.5	0.6	0.35		3.500	0.138	# 6	32	40					
					3.969	0.156	5/32"					32		
7	M4	0.7	0.5		4.000	0.157								
					4.166	0.164	# 8	32	36					
					4.762	0.188	3/16"					24	32	
					4.826	0.190	# 10	24	32					
8	M5	0.8	0.5		5.000	0.197								
10	M6	1	0.75		6.000	0.236								
					6.350	0.250	1/4"	20	28			20	26	
11	M7	1			7.000	0.276								
					7.938	0.313	5/16"	18	24			18	22	
13	M8	1.25	1	0.75	8.000	0.315								
	M9	1.25			9.000	0.354								
					9.525	0.375	3/8"	16	24			16	20	
16	M10	1.5	1.25	1	10.000	0.394								
					11.112	0.438	7/16"	14	20			14	18	
18	M12	1.75	1.5	1.25	12.000	0.472								
					12.700	0.500	1/2"	13	20			12	16	
21	M14	2	1.5	1.25	14.000	0.551								
					14.288	0.563	9/16"	12	18					
					15.875	0.625	5/8"	11	18			11	14	
24	M16	2	1.5	1	16.000	0.630								
27	M18	2.5	2	1.5	18.000	0.709								
					19.050	0.750	3/4"	10	16			10	12	
30	M20	2.5	2	1.5	20.000	0.787								
33	M22	2.5	2	1.5	22.000	0.866								
					22.225	0.875	7/8"	9	14			9	11	
36	M24	3	2	1.5	24.000	0.945								
					25.400	1.000	1"	8	12	14		8	10	
41	M27	3	2	1.5	27.000	1.063								
					28.575	1.125	1-1/8"	7	12			8	7	9
46	M30	3.5	3	2	30.000	1.181								
					31.750	1.125	1-1/4"	7	12			8	7	9
50	M33	3.5	3	2	33.000	1.299								
					34.925	1.375	1-3/8"	6	12			8	6	
55	M36	4	3	2	36.000	1.417								
					38.100	1.500	1-1/2"	6	12			8	6	8
60	M39	4			39.000	1.535								
					41.275	1.625	1-5/8"	5-1/2	12			8		
65	M42	4.5	4	3	42.000	1.653								
					44.450	1.750	1-3/4"	5	12			8	5	7
					47.625	1.875	1-7/8"					8		
75	M48	5	4	3	48.000	1.890								
					50.800	2.000	2"	4-1/2	12			8	4-1/2	
85	M56	5.5			56.000	2.205								
					63.500	2.500	2-1/2"					8		
95	M64	6			64.000	2.520								
					69.850	2.750	2-3/4"					8		
105	M72	6			72.000	2.835								
					76.200	3.000	3"					8		
					82.550	3.250	3-1/4"					8		
					88.900	3.500	3-1/2"					8		
					101.600	4.000	4"					8		

Other A/F sizes may be used for JIS/Automotive, DIN, Metric Fine, and HSGFG bolts.

Note: Other threads not on this table are BSP, NPT, BA, BSB, CONDUIT, ACME.



TECHNICAL DATA	ECO .30	ECO .32	ECO 40.2	ECO 50.S
ANNULAR CUTTING	12 - 30 MM	12 - 32 MM	12 - 40 MM	12 - 50 MM
TWIST DRILLING	1 - 13 MM	1 - 13 MM	1 - 13 MM	1 - 23 mm
TWIST DRILLING (WELDON)	10 - 35 mm			
THREADING				
COUNTERSINKING		10 - 40 MM	10 - 45 MM	10 - 55 MM
IN-CORNER DRILLING 0°:				
IN-CORNER DRILLING 90°:				
IN-CORNER DRILLING 45°:				
LENGTH	275 MM	320 MM	320 MM	320 MM
WIDTH	190 MM	210 MM	210 MM	200 MM
HEIGHT	293 - 383 MM	370 - 512 MM	395 - 540 MM	445 - 615 MM
STROKE	90 MM	150 MM	150 MM	170 MM
WEIGHT	8,5 KG	12 KG	12 KG	11.2 KG
MAGNET (L X W X H)	160 X 80 X 37 MM	160 X 80 X 42 MM	160 X 80 X 42 MM	160 X 80 X 42 MM
MAGNETIC FORCE	1200 KG	1500 KG	1500 KG	1700 KG
MOTOR POWER	900 W	1000 W	1050 W	1250 W
TOTAL POWER	950 W	1050 W	1100 W	1100 W
SPEED (NO LOAD)	775 RPM	775 RPM	(I) 720 RPM (II) 1300 RPM	(I) 315 RPM (II) 690 rpm
SPEED (LOAD, 900 W)	400 RPM		440 rpm	
Speed (load 1000 W)		440 RPM		
SPEED (LOAD 1050 W)			(I) 315 RPM (II) 560 RPM	(I) 235 RPM (II) 425 RPM
Speed (load, 1240 W)				
Speed (load, 1700 W)				
Spindle (Weldon)	19,05 mm	19,05 mm	19,05 mm	MT3 19,05 mm
Voltage	110 - 120 V / 60 Hz	110 - 120 V / 60 Hz	110 - 120 V / 60 Hz	110 - 120 V / 60 Hz
	220 - 240 V / 50 - 60 Hz	220 - 240 V / 50 - 60 Hz	220 - 240 V / 50 - 60 Hz	220 - 240 V / 50 - 60 Hz



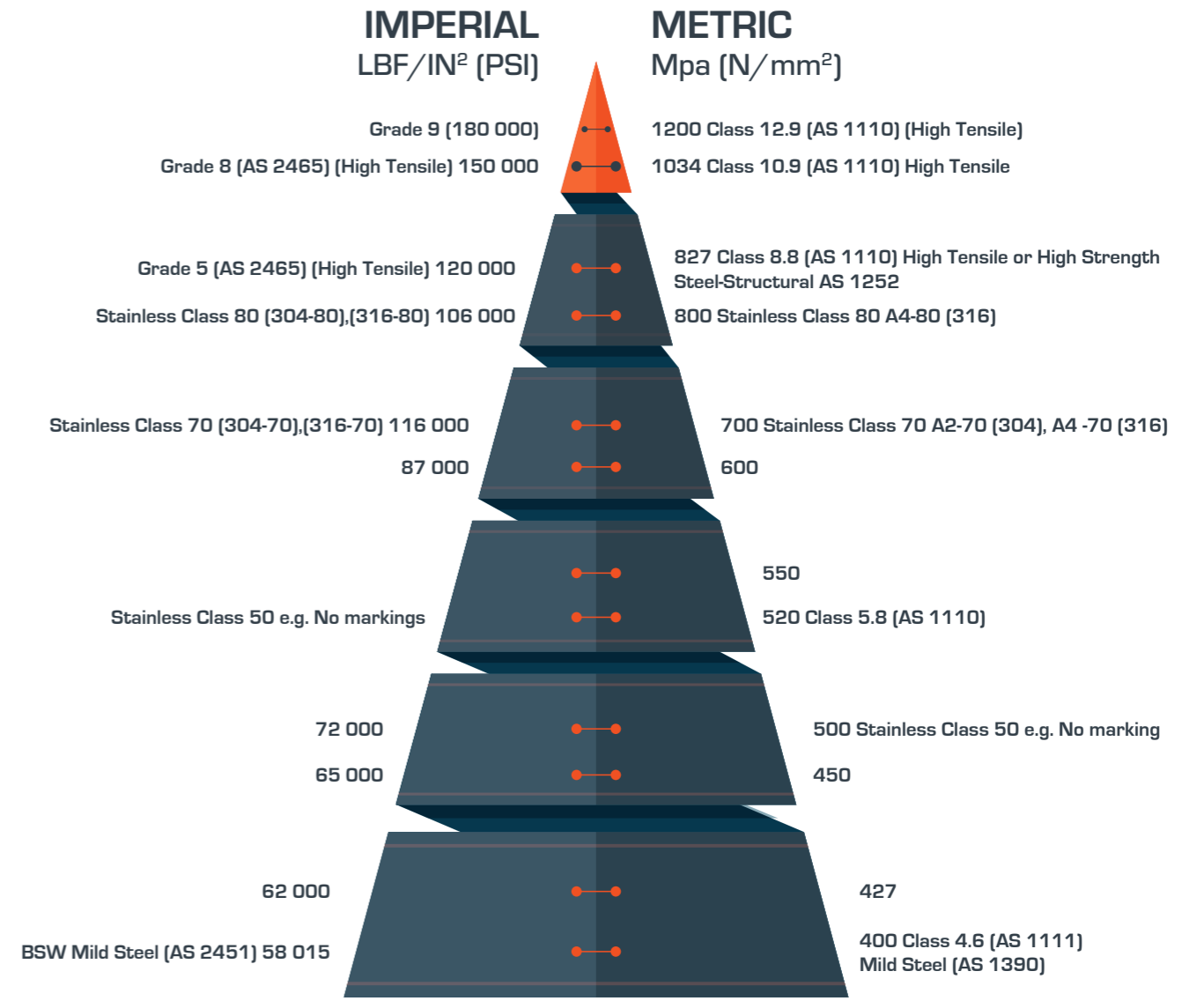
TECHNICAL DATA	ECO .30	ECO .32	ECO 40.2	ECO 50.S
ANNULAR CUTTING	12 - 36 MM	12 - 50 MM	12 - 80 MM	10 - 30 MM
TWIST DRILLING	1 - 14 MM	1 - 23 MM	1 - 31,75 MM	
TWIST DRILLING (WELDON)				1 - 13 MM
THREADING		M3 - M20		
COUNTERSINKING	10 - 40 MM	10 - 55 MM	10 - 85 MM	10 - 35 MM
IN-CORNER DRILLING 0°:	50 MM			
IN-CORNER DRILLING 90°:	53 MM			
IN-CORNER DRILLING 45°:	60 MM			
LENGTH	310 MM	320 MM	365 MM	275 MM
WIDTH	135 MM	210 MM	310 MM	185 MM
HEIGHT	165 MM	385 - 540 MM	510 - 710 MM	326 - 416 MM
STROKE	40 MM	170 MM	260 MM	90 MM
WEIGHT	10,3 KG	13,5 KG	28 KG	11 KG
MAGNET (L X W X H)	80X160X37 MM	170X85X48 MM	220X110X64 MM	187X165X83 MM
MAGNETIC FORCE	1200 KG	1850 KG	3000 KG	532 KG
MOTOR POWER	1050 W	1250 W	1700 W	900 W
TOTAL POWER	1100 W	1375 W	1800 W	950 W
SPEED (NO LOAD)	700 RPM	(I)100 - 280 RPM	(I) 200 RPM (II) 300 RPM (III) 415 RPM (IV) 650 RPM	775 RPM
SPEED (LOAD, 900 W)	700 RPM			400 RPM
Speed (load 1000 W)				
SPEED (LOAD 1050 W)	400 RPM			
Speed (load, 1240 W)		(I)250 RPM		
Speed (load, 1700 W)			(I) 150 RPM (II) 200 RPM (III) 275 rpm (IV) 400 pm	
Spindle (Weldon)	19,05 mm	MT2 19,05 mm	MT3 19,05 mm	19,05 mm
Voltage	110 - 120 V / 60 Hz	110 - 120 V / 60 Hz	110 - 120 V / 60 Hz	110 - 120 V / 60 Hz
	220 - 240 V / 50 - 60 Hz	220 - 240 V / 50 - 60 Hz	220 - 240 V / 50 - 60 Hz	220 - 240 V / 50-60 Hz



DIN 1	TAPER PIN	DIN 582	LIFTING EYE NUTS	DIN 71752G	CLEVISES	DIN 931	HEX HEAD BOLTS (PARTIALLY THREADED)
DIN 125A	FLAT WASHERS	DIN 603	CARRIAGE BOLTS	DIN 7343	STANDARD COILED PIN	DIN 933	HEX HEAD BOLTS (FULLY THREADED)
DIN 127B	SPRING LOCK WASHERS	DIN 609	HEX SHOULDER BOLT LONG THREAD	DIN 7349	HEAVY WASHERS	DIN 934	HEX NUTS
DIN 137B	WAVE WASHERS	DIN 6325	DOWEL PINS	DIN 7500	HEX HEAD THREAD FORMING SCREW	DIN 934L	HEX NUTS LEFT HAND THREAD
DIN 1440	FLAT WASHER FOR CLEVIS PIN	DIN 6331	COUPLING NUTS	DIN 7603	ALUMINIUM SEALING RING	DIN 934L	HEX NUTS LEFT HAND THREAD
DIN 1479	TURNBUCKLE NUTS	DIN 6340	WASHERS FOR CLAMPING DEVICE	DIN 7976C	SELF TAPPING HEX HEAD TAPPING SCREW	DIN 934MF	HEX NUTS
DIN 1481	SPRING PIN	DIN 6796	SERRATED LOCK WASHERS	DIN 7978A	TAPER PIN w/INTERNAL THREAD	DIN 936	HEX NUT LOW
DIN 1587	DOMED HEX NUT	DIN 6797A	LOCK WASHERS TOOTH	DIN 7979	PULL DOWEL PINS	DIN 936MF	HEX NUT LOW (FINE THREAD)
DIN 175	DRILL ROD	DIN 6797I	WASHERS	DIN 7980	COIL SPRING LOCK WASHERS	DIN 938	STUDS
DIN 2093A	SPRING DISCS	DIN 6797J	LOCK WASHERS TOOTH	DIN 7984	LOW HEAD SOCKET HEAD CAP SCREW	DIN 939	STUDS
DIN 315	WING NUT	DIN 6798	SERRATED LOCK WASHERS	DIN 7985	PHILIPS PAN HEAD MACHINE SCREW	DIN 94	COTTER PINS
DIN 316	WING SCREW	DIN 6798A	SERRATED LOCK WASHERS EXT TOOTH	DIN 7991	FLAT SOCKET HEAD CAP SCREW	DIN 960	HEX BOLTS FINE THREAD (PARTIALLY THREADED)
DIN 433	FLAT WASHERS REDUCED O.D.	DIN 6799	RETAINING WASHER	DIN 7993A	SNAP RING (FOR SHAFTS)	DIN 961	HEX BOLTS FINE THREAD (FULLY THREADED)
DIN 434	TAPER WASHERS 8%	DIN 6880	KEY STOCK	DIN 8140	AMECOIL	DIN 963	MACHINE SCREW FLAT HEAD SLOTTED
DIN 436	SQUARE WASHERS	DIN 6885	KEY STOCK ROUND END	DIN 84A	ROUND HEAD SLOT CHEESE HEAD MACHINE SCREW	DIN 965	MACHINE SCREW FLAT HEAD PHILIPS
DIN 439	HEX THIN (JAM) NUTS	DIN 6888	WOODRUF KEY	DIN 85A	ROUND HEAD SLOTTED PAN HEAD MACHINE SCREW	DIN 975	THREADED RODS
DIN 439MF	HEX THIN (JAM) NUTS FINE THREAD	DIN 6912	LOW HEAD SOCKET HEAD CAP SCREW	DIN 9021	WASHERS (FENDER)	DIN 975MF	THREADED RODS FINE THREADED
DIN 470	EXPANSION PLUG	DIN 6914	HEX BOLT	DIN 911	HEX (ALLAN) KEY	DIN 980V	LOCK NUT
DIN 471	RETAINING RINGS EXTERNAL	DIN 6915	NUT	DIN 912	SOCKET HEAD CAP SCREW	DIN 981	BEARING NUTS
DIN 472	RETAINING RINGS INTERNAL	DIN 6916	FLAT WASHERS	DIN 912	SOCKET HEAD CAP SCREW FULL THREAD	DIN 985	HEX LOCK NUTS
DIN 479	SQUARE HEAD SET SCREW	DIN 6921	HEX FLANGE BOLT	DIN 912MF	SOCKET HEAD CAP SCREW	DIN 985MF	HEX LOCK NUTS (FINE THREAD)
DIN 508	T SLOT NUTS	DIN 6923	SERRATED FLANGE HEX NUT	DIN 913	SOCKET SET SCREW FLAT POINT	DIN 988	RING
DIN 5406	BEARING WASHERS	DIN 6923MF	SERRATED FLANGE HEX NUT FINE THREAD	DIN 914	SOCKET SET SCREW CONE POINT	ISO 7379	SHOULDER SOCKET BOLTS
DIN 553	SET SCREW CONE POINT	DIN 6926	FLANGE NYLON INSERT LOCK NUT	DIN 915	SOCKET SET SCREW DOG POINT	ISO 7380	SOCKET BUTTON HEAD SCREW
DIN 557	SQUARE NUT	DIN 7	DOWEL PIN	DIN 916	SOCKET SET SCREW CUP POINT	JIS B1189	HEX HEAD FLANGE BOLT
DIN 571	HEX HEAD WOOD SCREW	DIN 71412	GREASE FITTINGS	DIN 916MF	SOCKET SET SCREW CUP POINT		
DIN 580	LIFTING EYE BOLTS	DIN 71752ES	CLEVISES	DIN 929	WELD NUT		

## Compare Tensile Strengths of Steel Grade and Class

- ▶ Imperial system uses Class
- ▶ Metric system uses Grades



Conversion Factor 1000 PSI (lbf/in<sup>2</sup>) = 6.8948 MPa  
 1 Mpa = 145.038 PSI(lbf/in<sup>2</sup>)

Information on this flyer is in good faith and no responsibility is taken for its accuracy. Please refer confirmation re technical certification/questions to your Qualified Engineers.



HEX HEAD BOLTS & NUTS	HEX HEAD BOLTS	SET SCREWS	PLOW BOLTS	SERRATED FLANGE BOLTS
COACH BOLTS & NUTS	COACH BOLTS ONLY	COACH SCREWS	HSFG BOLTS, NUTS & WASHERS	HSFG NUTS
HSFG WASHERS	THREADED RODS	HEX NUTS	CONELock NUTS	SERRATED FLANGED CONELock NUTS
FLANGED CONELock NUTS	NYLOC NUTS	NYLOC HALF NUTS	NYLOC DOME NUTS	NYLOC FLANGE NUTS
LOCK NUT HALF NUTS	LOCK NUTS	DOMe NUTS	SHEAR NUTS	CLINCH NUTS
CASTLE NUTS	WING NUTS	JOINT CONNECTOR CAP	SERRATED FLANGED NUTS	FLANGED NUTS
FLANGED INSERT NUTS	UNFLANGED INSERT NUTS	COUPLING NUTS	SPRING NUTS	WELD NUTS
BARREL NUTS	TEE NUTS	CAGE NUTS	SOCKET HEAD CAP SCREWS	LOW HEAD SOCKET CAP SCREWS

SHOULDER SOCKET CAP SCREWS	BUtTON HEAD SOCKET SCREWS	COUNTERSUNK SOCKET SCREWS	TAPER SOCKET PRESSURE PLUG	ALLEN WRENCHS
ALPHA TORX ALLEN KEY	SOCKET HEAD GRUB SCREWS	KNURLED SOCKET GRUB SCREWS	CONE POINT SOCKET GRUB SCREWS	T17 HWF WITHOUT NEO
T17 HWF WITH NEO	T17 BUGLE HEAD HEX DRIVE 5MM	T17 WAFER HEAD	SELF DRILLING HWF WITHOUT NEO	SELF DRILLING HWF WITH NEO
SELF DRILLING HWF	SELF DRILLING HWF EXT POINT NO.5	SELF DRILLING CSK SELF EMBEDDING	SELF DRILLING PAN HEAD	SELF DRILLING RIBBED CSK WINGED
SELF DRILLING CSK WINGED	SELF DRILLING BUtTON HEAD	SELF DRILLING CSK HEAD	SELF DRILLING CSK WINGTEK	SELF DRILLING CSK WINGTEK CL2
SELF DRILLING WAFER HEAD	SELF TAPPING PAN HEAD	SELF TAPPING T17 PAN HEAD	SELF TAPPING MUSHROOM HEAD	SELF TAPPING CSK HEAD
SELF TAPPING T17 CSK HEAD	SELF TAPPING TRUNCATED CSK HEAD	SELF TAPPING TYPE B CSK HEAD	SELF TAPPING BUtTON HEAD SECURITY	SELF TAPPING TWINFAST CSK HEAD
SUREFIX PAN HEAD	SUREFIX CSK HEAD	SUREFIX TWINFAST FULL THREAD CSK HEAD	SUREFIX T17 RIBBED CSK	SUREFIX RIBBED CSK



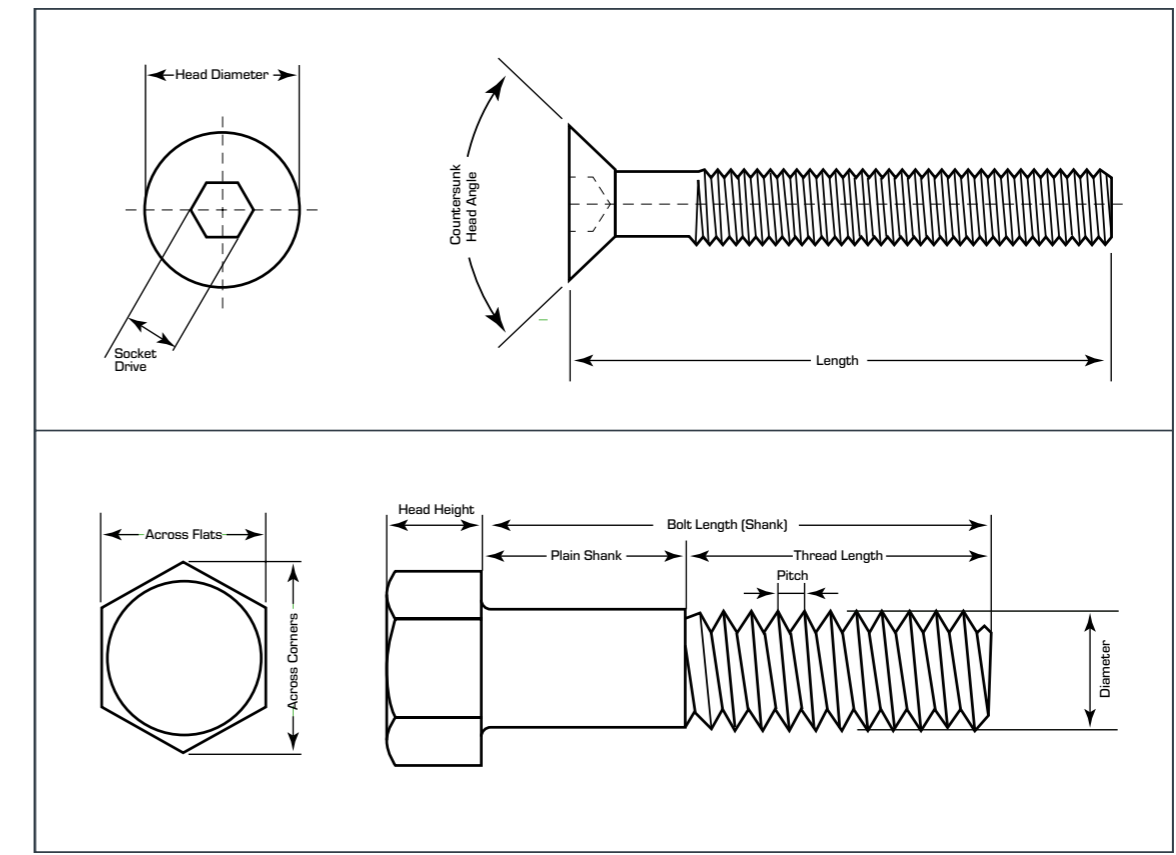
# PRODUCT IMAGE CHART

SUREFIX T17 UNRIBBED CSK	SUREFIX UNRIBBED CSK	JOINT CONNECTOR BOLT 15MM PAN	WING SCREW	WOOD SCREW CSK HEAD
GUTTER BOLT & NUT MUSHROOM HEAD	HAMMER DRIVE TYPE U	MACHINE PAN HEAD	MACHINE CSK HEAD	MACHINE SLOT ROUND HEAD
TRUCK DECK CSK HEAD	SLOT HANDLE MUSH WASHER HEAD	FLAT ROUND WASHERS	FENDER WASHERS	HEAVY WASHERS
SQUARE WASHERS	HARDENED WASHERS	TAPER WASHERS	HSFG WASHERS	SPRING WASHERS
NEOPRENE WASHER	STAR LOCK WASHERS	RED FIBRE WASHERS	NYLON WASHERS	NORDLOCK WASHERS
TOOTHLOCK WASHERS	SERRATED EXTERNAL WASHERS	CUP WASHERS	WEDGE ANCHORS	CHEM SET SEETING STUD
O HOOKS	C HOOKS	SLEEVE ANCHOR WITH HEX NUTS	CSK HEAD PHILLIPS	FLUSH HEAD WITH BOLTS
FLANGE HEX HEAD SCREW BOLTS	CSK HEAD SCREW BOLT	EYE BOLT SCREW ANCHOR	HOLLO BOLT	HOLLO BOLT FLUSH FIT

# PRODUCT IMAGE CHART



DROP - IN ANCHOR LIPPED	DROP - IN ANCHOR UNLIPPED	DROP-IN SETTING TOOL	CONCRETE CSK HEAD SCREWS	CONCRETE HEX HEAD SCREWS
METAL PIN MUSHROOM HEAD	NAIL-IN CSK HEAD	NAIL-IN MUSHROOM HEAD	NAIL-IN ROUND HEAD	SPLIT DRIVE MUSHROOM HEAD
SPLIT DRIVE CSK HEAD	HOLLOW WALL ANCHORS	WALL PLUG	WALL PLUG	WALL PLUG
CONCRETE VERTIGO SEISMIC INTERNAL THREAD	SDM VERTIGO INTERNAL THREAD	T17 VERTIGO INTERNAL HANGERS	VERTICAL HANGER DRIVER	T17 VERTIGO SIDE HOLE



**Note:** Length of countersunk products is measured overall, including the head.  
 Length of non-countersunk products is measured from the underside bearing face of the head.



# PRODUCT CATALOGUE

www.fdgncz.com  
sales@fdgncz.com  
**0800 555 464**



## Easy Ordering

Dedicated customer service team giving you the right product, on time, at a fair price. 0800 555 464 or sales@fdgncz.com



## Specialist Support

Think of us as an extra co-worker on the job. We collaborate, predict and provide workable solutions that avoid costly disruption and improve productivity.



## Extensive Range

FDG's wide range of products is sourced from reliable, reputable International partners bringing you the best.



## Time Saving Innovations

FDG's ModFrame brings you a European designed & engineered pipe and cable support solution, saving you time with easy installation and compliant to Australasian standards.